

# RED FRAGMENTS: A new dialogue between interiors and exteriors of Santi Cosma and Damiano former convent

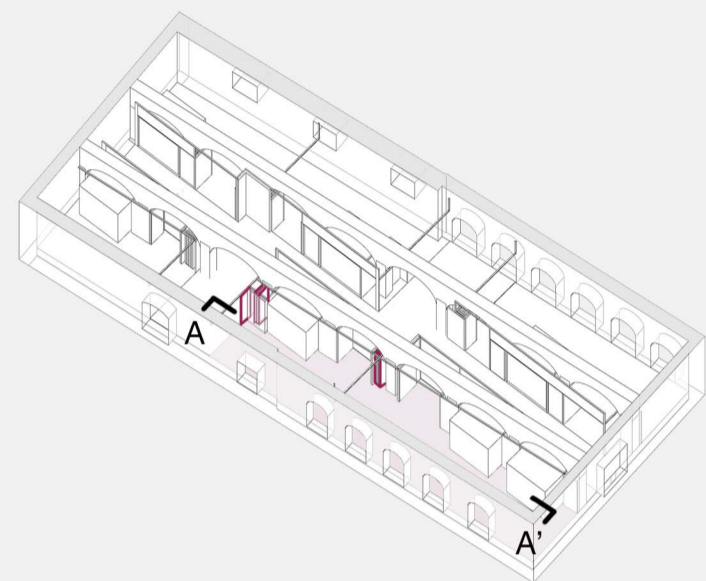
Artist-in-residence at Bevilacqua La Masa Foundation in Giudecca island, Venice

## Movable Partitions Type 1: Sliding Panels

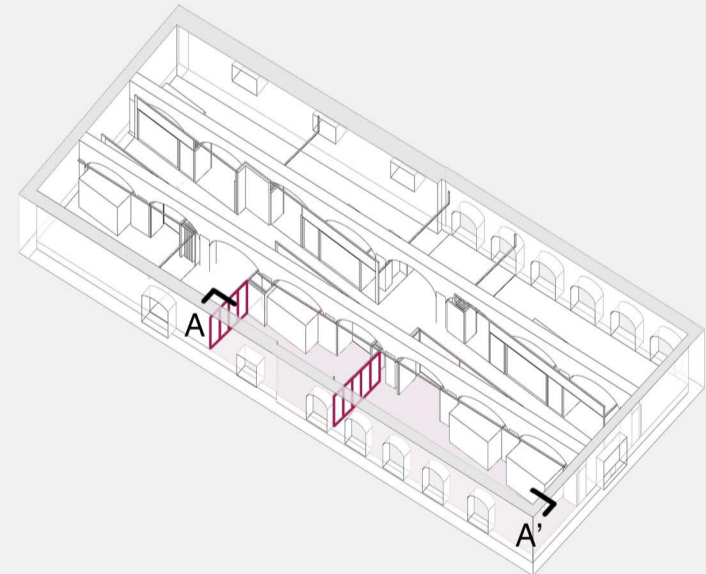
### Sliding Panels:

To divide the public gallery and the studios

Mode A: Stored in the fixed Niches

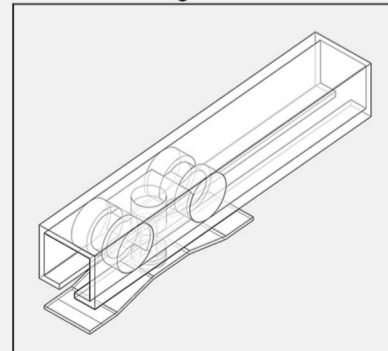


Mode B: Slided along the rails

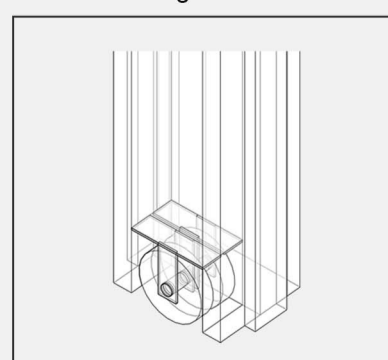


Detailed Design of The Sliding System

Sliding Rail



Sliding Wheel



Section Perspective A - A' : Mode A



Section Perspective A - A' : Mode B