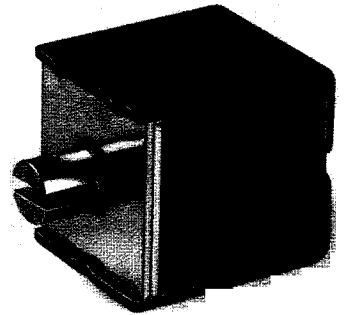


Solenoids

Series 43 high force/stroke ratio solenoid



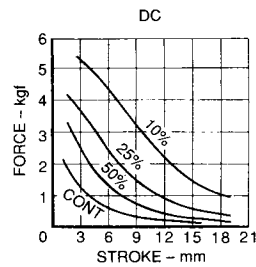
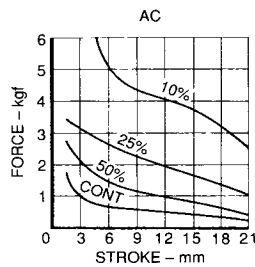
GENERAL DESCRIPTION

- AC & DC types
- Pull and thrust versions
- Shading ring for quiet AC operation
- Suitable for heavy duty applications

PERFORMANCE

	ITEM	SPECIFICATION
Electrical	Maximum on Time	See table below
	Closed power (continuous rating)	AC: 20VA DC: 12W.
	Maximum permissible voltage	240V
	Insulation	All coils tested to frame at 1500V RMS 50Hz.
Mechanical	Weight	Total: 425g. approx. Plunger: 49g
	Ambient temperature	The information given on this page is based on a room temperature of 20°C allowing for a nominal 75°C temperature rise in the coil.
	Force/stroke curves	These force curves show average performance only. In addition to normal manufacturing tolerances, deviations can be expected at some voltages due to the coil winding tolerances.

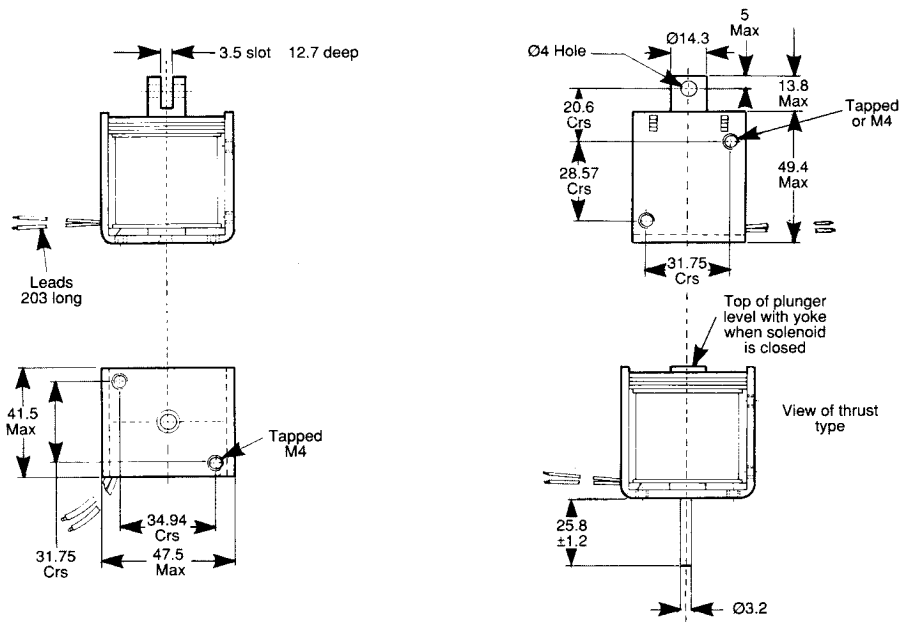
FORCE/STROKE CURVE



MAXIMUM ON TIME

	10%		25%		50%	
	1 cycle	Cont. cycling	1 cycle	Cont. cycling	1 cycle	Cont. cycling
AC	65 sec	5 sec	7.75 min	1.25 min	14.5 min	2 min
DC	55 sec	35 sec	3.5 min	2 min	7 min	4.25 min

DIMENSIONS (mm)



CODING

4 3		1 2 0		X X X			X X X			
TYPE/ACTION	AC			1						
	DC			6						
	Pull			1						
	Push			2						
	Standard			0						
	With push-off spring			1						
RATING										
		Cont.		50%		25%		10%		
COIL	24V AC 50Hz	0	1	0	2	0	3	/	/	
	50V AC 50Hz	0	8	0	9	1	0	1	1	
	115V AC 50Hz	1	5	1	6	1	7	1	8	
	220V AC 50Hz	2	3	2	4	2	5	2	6	
	230V AC 50Hz	3	9	4	0	4	1	4	2	
	115V AC 60Hz	1	9	2	0	2	1	2	2	
	220V AC 60Hz	2	7	2	8	2	9	3	0	
	230V AC 60Hz	4	3	4	4	4	5	4	6	
	6V DC	5	4	/	/	/	/	/	/	
	9V DC	5	8	5	9	6	0	6	1	
	12V DC	6	2	6	3	6	4	6	5	
	24V DC	7	2	7	3	7	4	7	5	
	28V DC	7	6	7	7	7	8	7	9	
	36V DC	8	0	8	1	8	2	8	3	
	50V DC	8	4	8	5	8	6	8	7	
115V DC	8	8	8	9	9	0	9	1		
220V DC	9	2	9	3	9	4	9	5		
240V DC	9	6	9	7	9	8	9	9		
	Standard Leads							0		
	Faston Tags							3		

Other operating voltages and ratings available on request