

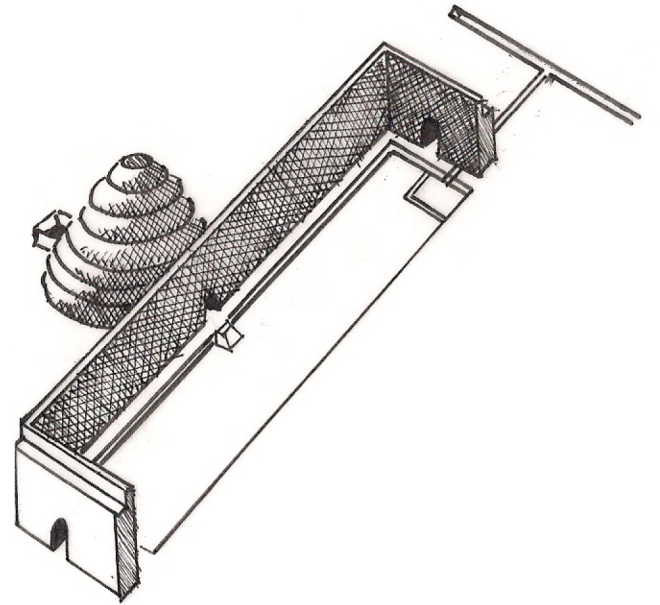
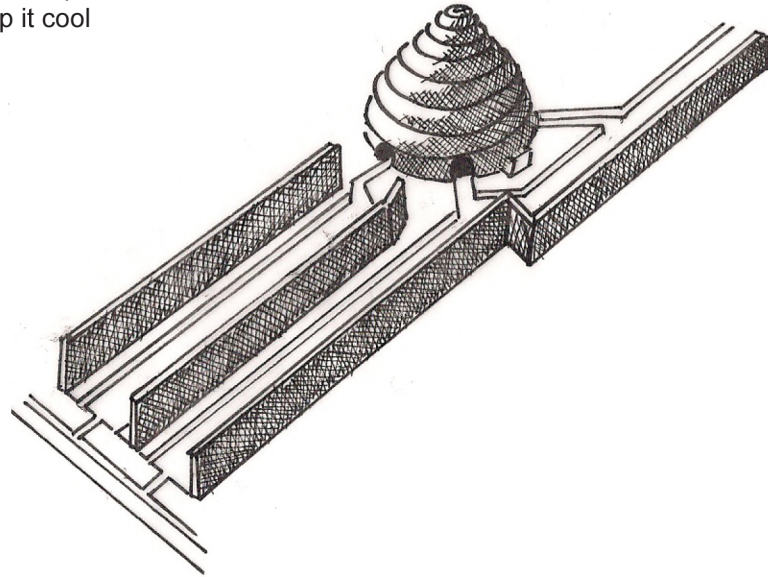
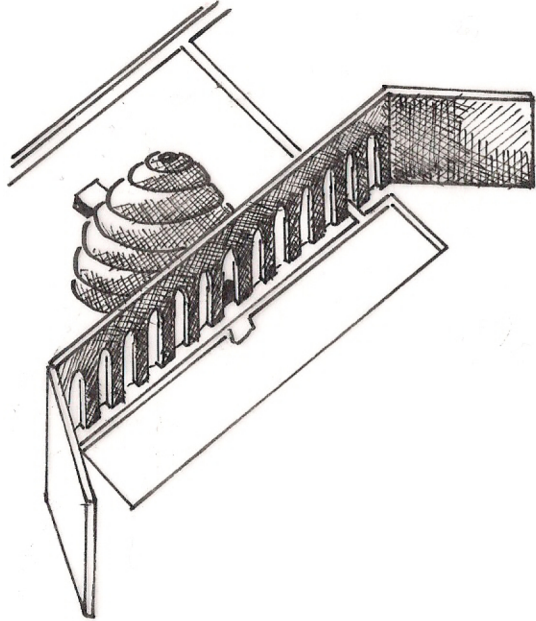
the structure of YAKH-CHALS were usually consisted of these elements:

1-**water basin** where the thin layer of water coming from Qanat would freeze over the night

2-**wall** that would surround the water basin to create shadow over it

3-**ice pit** where the crushed ice would be stored till the end of process

4-**dome structure** which was built over the ice pit to keep it cool



three different alternatives of YAKH-CHALS