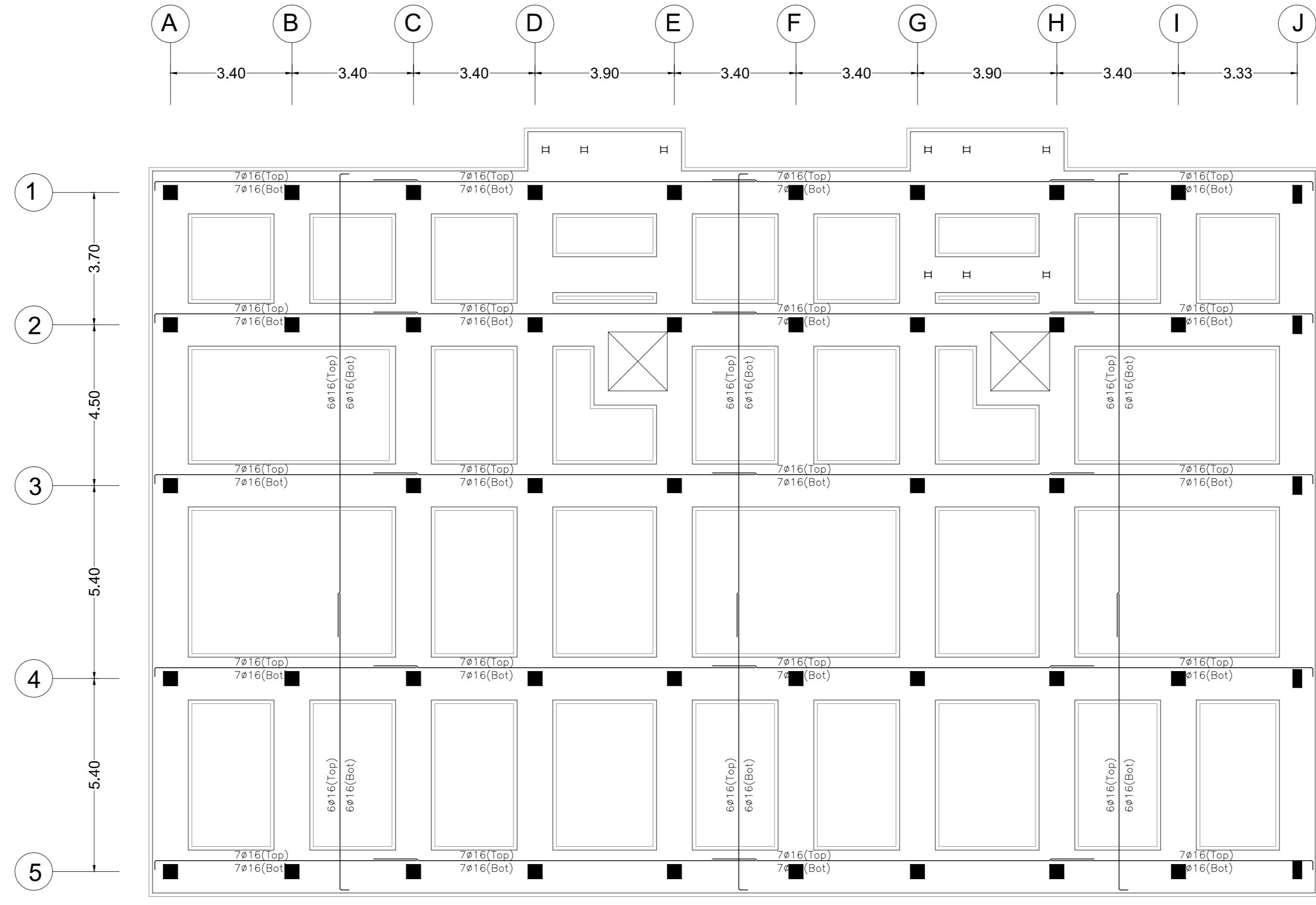
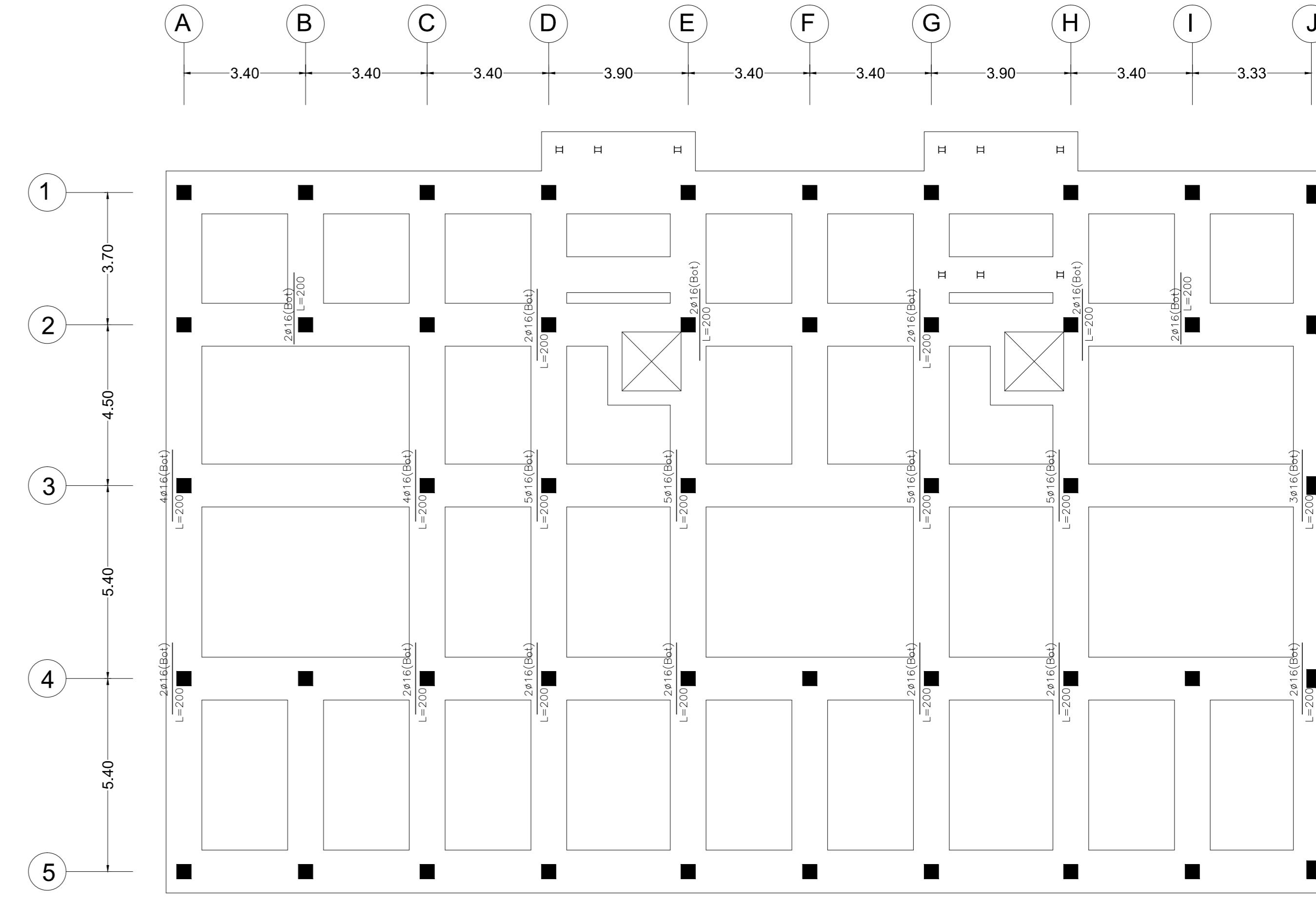


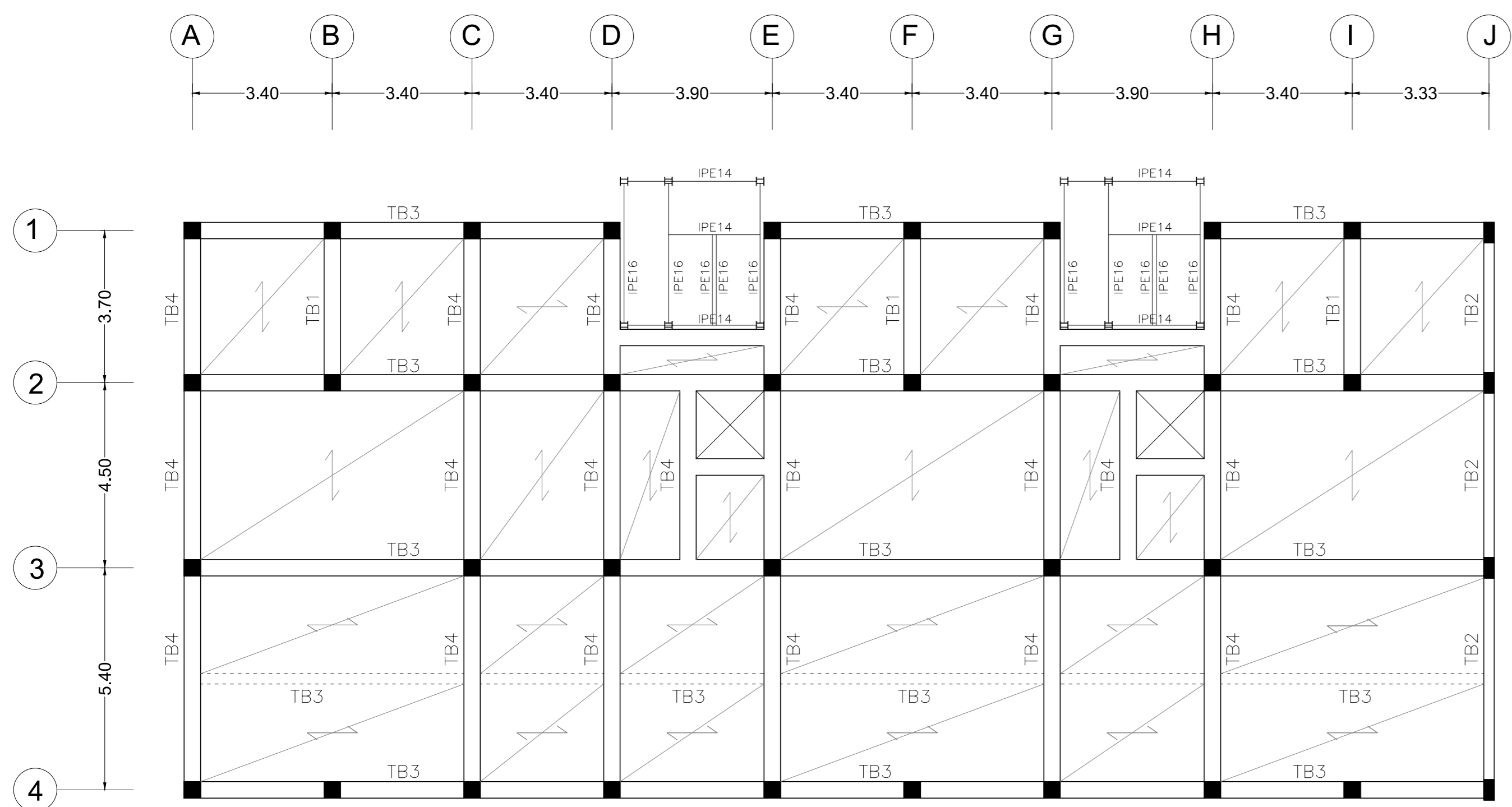
Beams Plan (Basement)
Sc.1:50



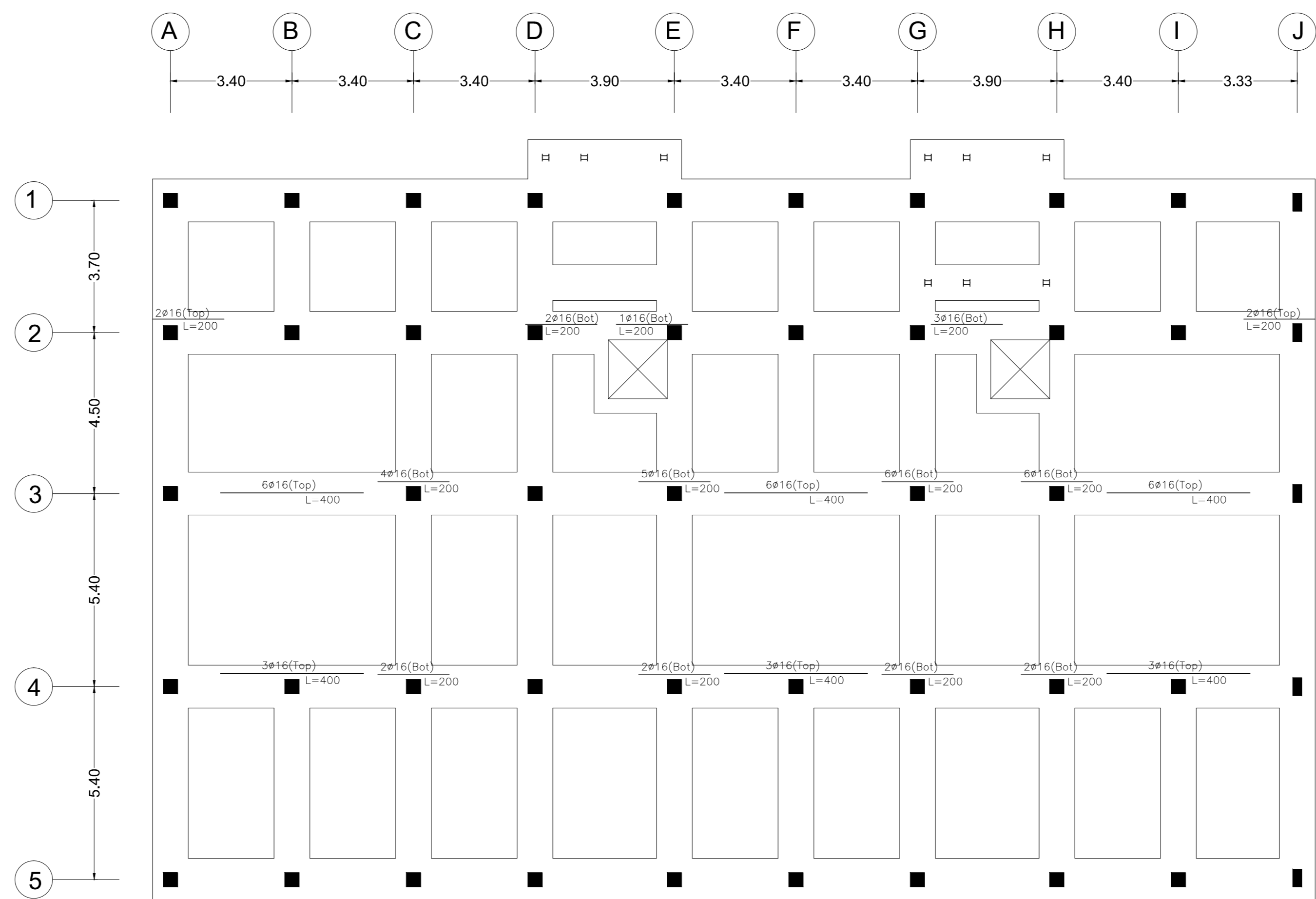
Foundation Plan and Main Bars
Sc.1:50



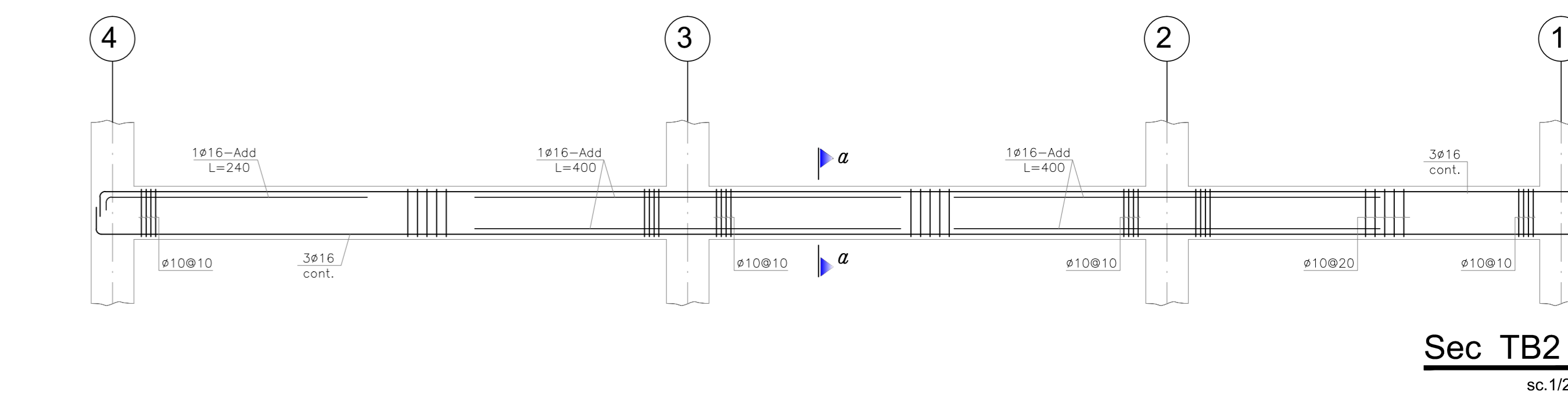
Reinforcing bars in the transverse direction of foundation
Sc.1:50



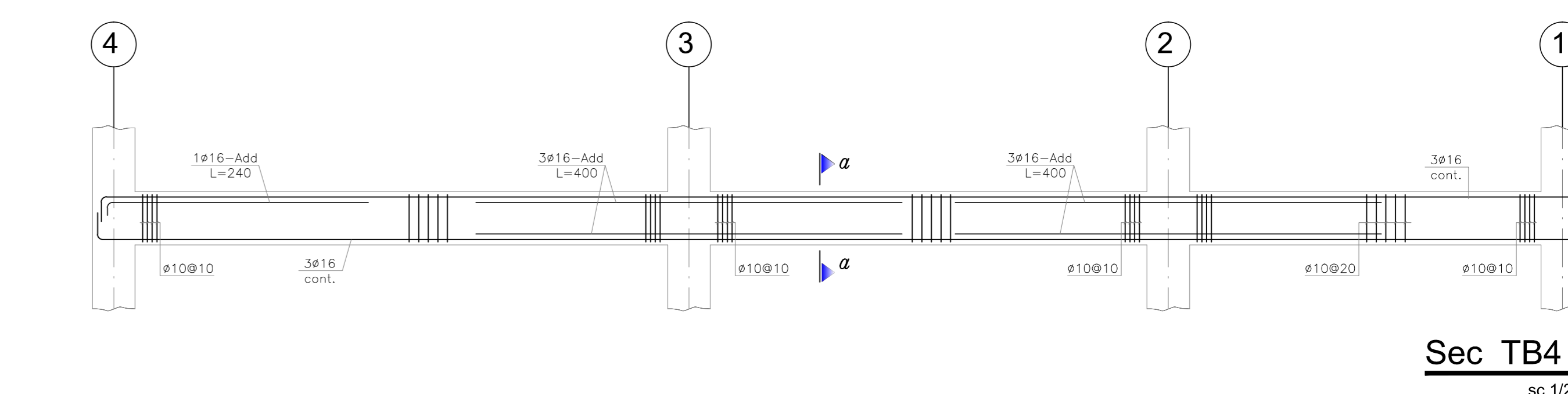
Beams Plan (Typical Floors)
Sc.1:50



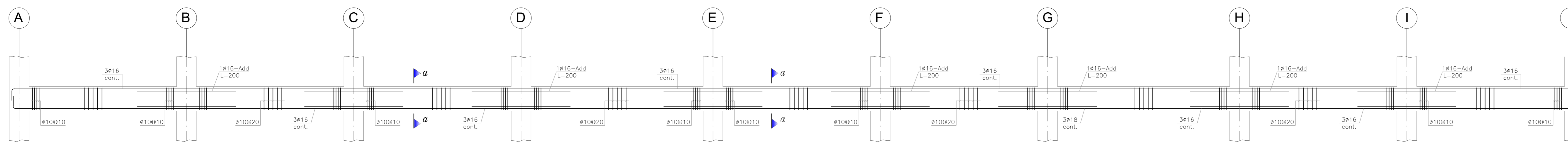
Reinforcing bars in the longitudinal direction of foundation
Sc.1:50



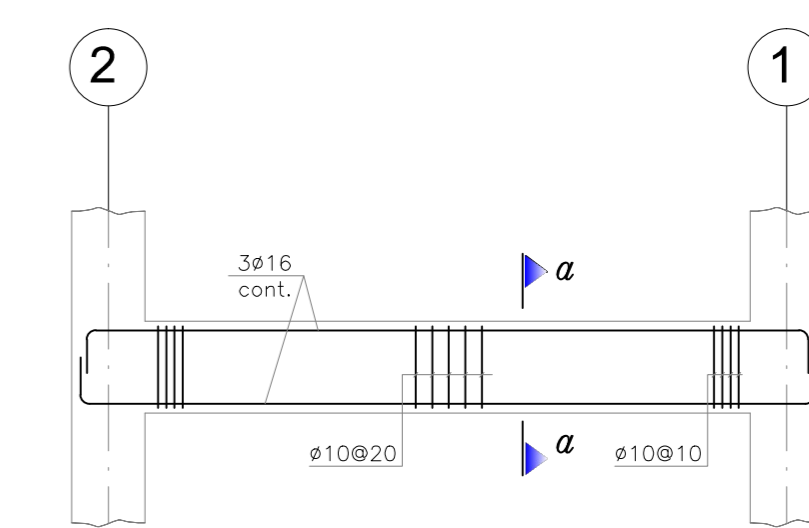
Sec TB2
sc.1/2



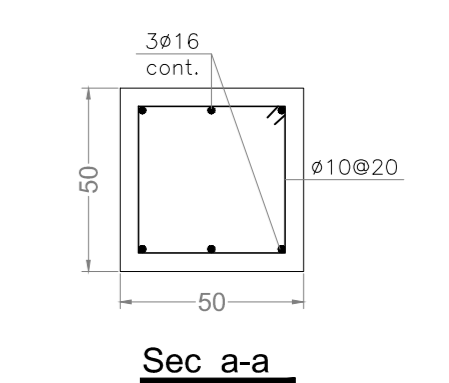
Sec TB4
sc.1/2



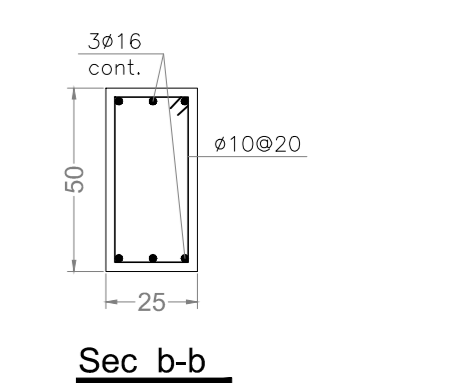
Sec TB3
sc.1/2



Sec TB1
sc.1/2



Sec a-a
sc.1/1



Sec b-b
sc.1/1

PRODUCED BY AN AUTODESK EDUCATIONAL PRODUCT

PRODUCED BY AN AUTODESK EDUCATIONAL PRODUCT

