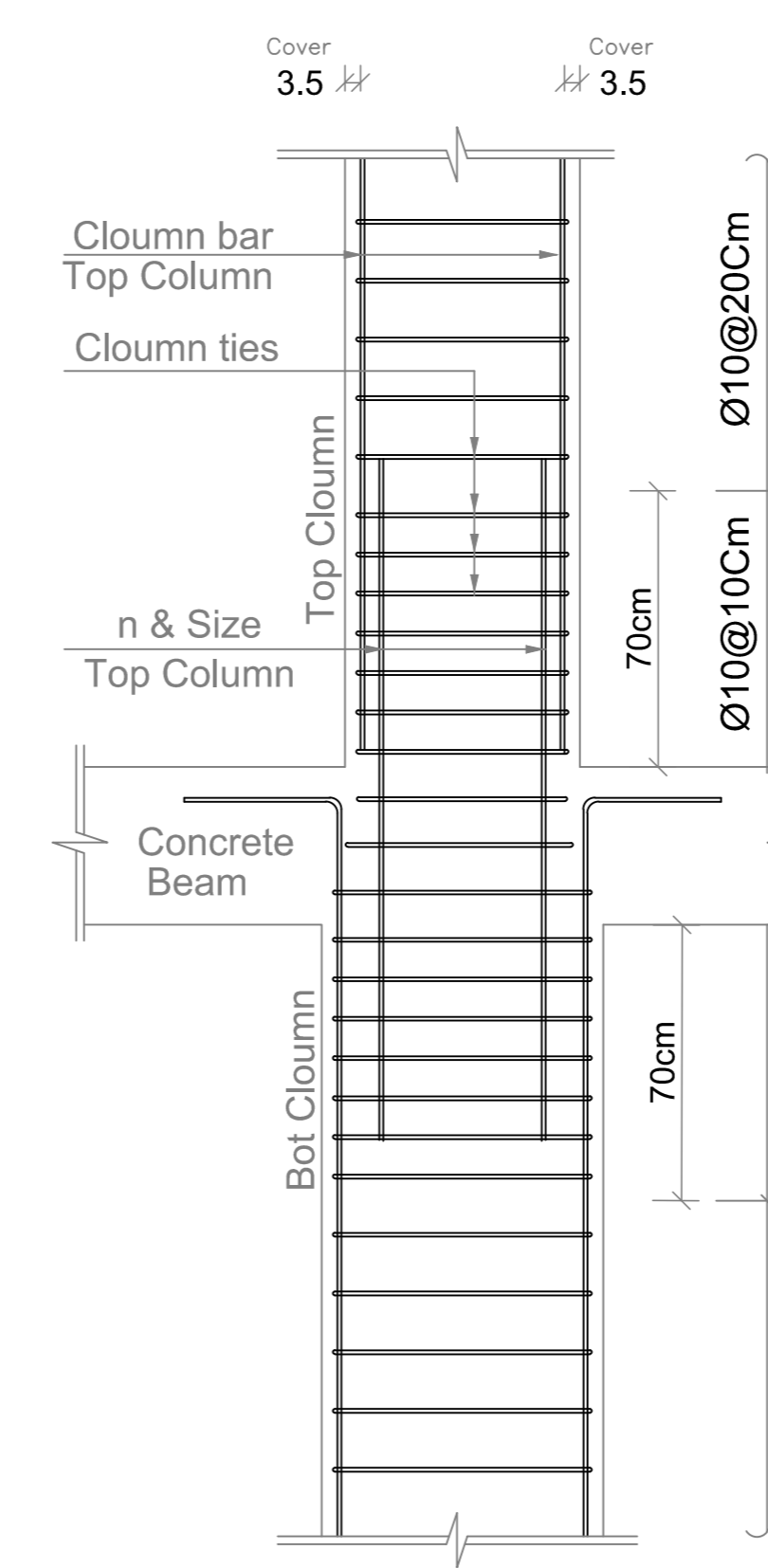
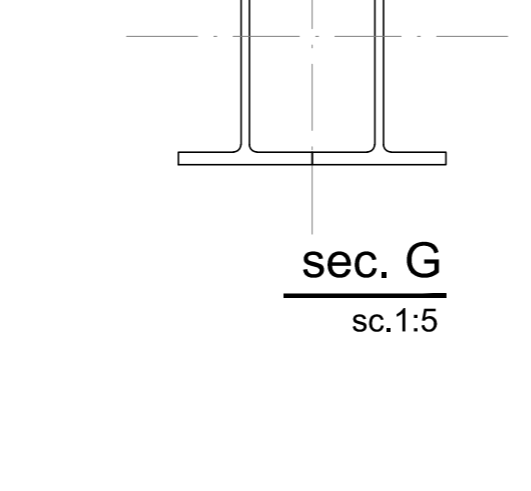
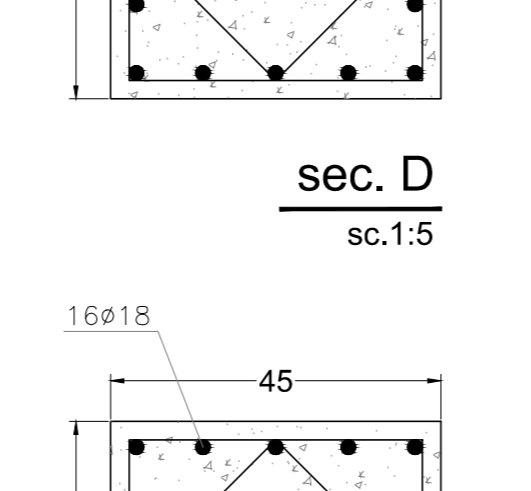
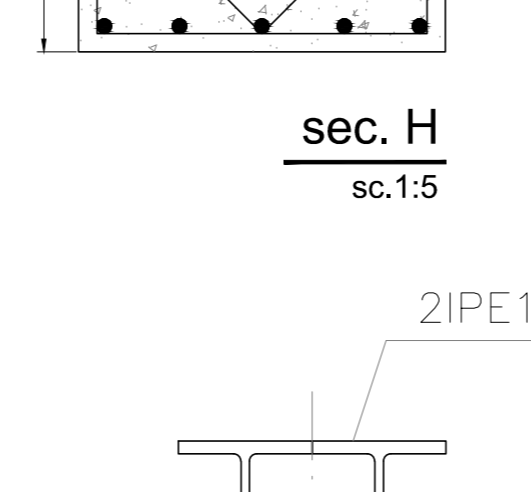
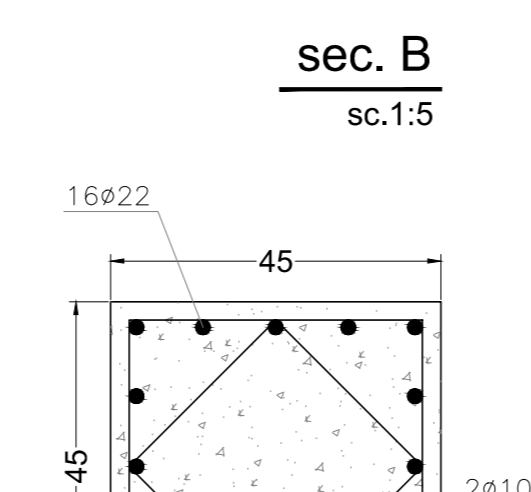
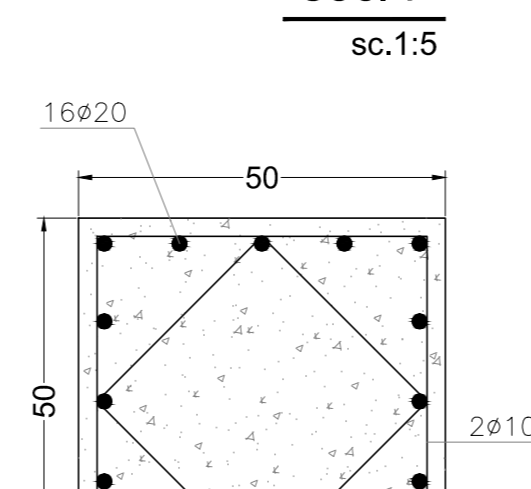
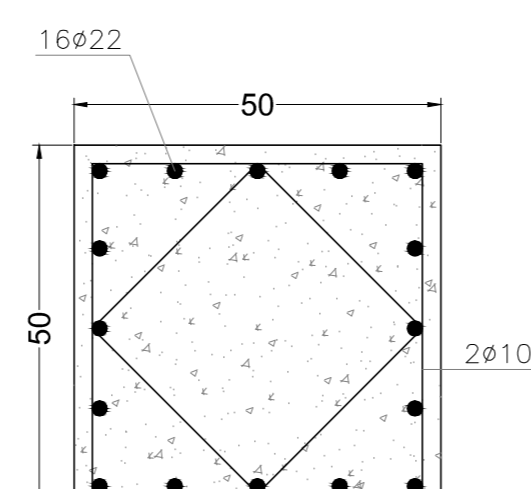
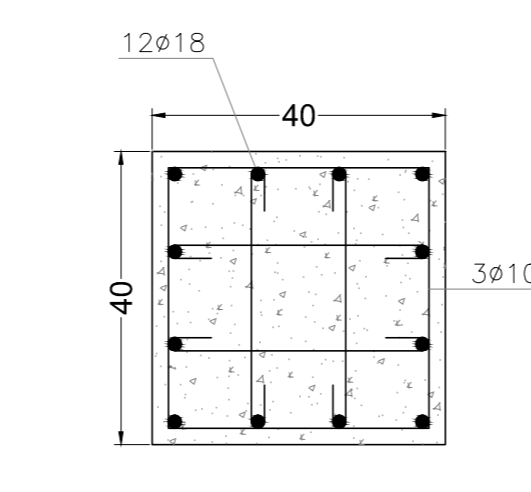
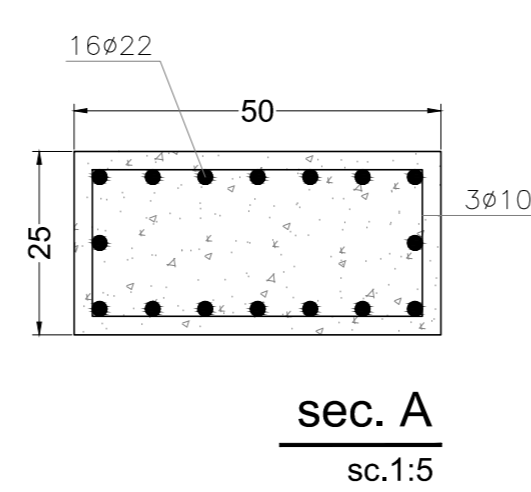
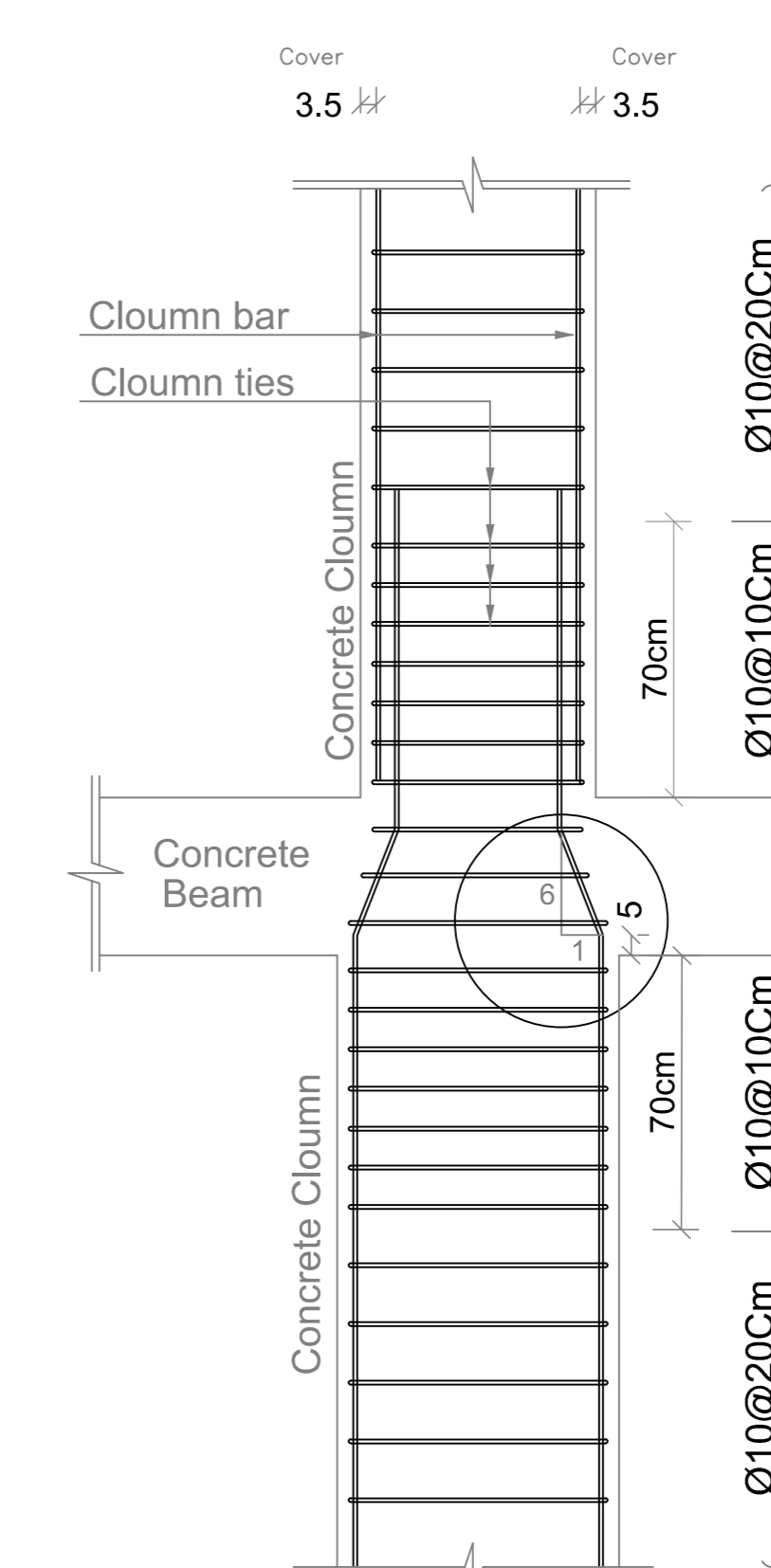


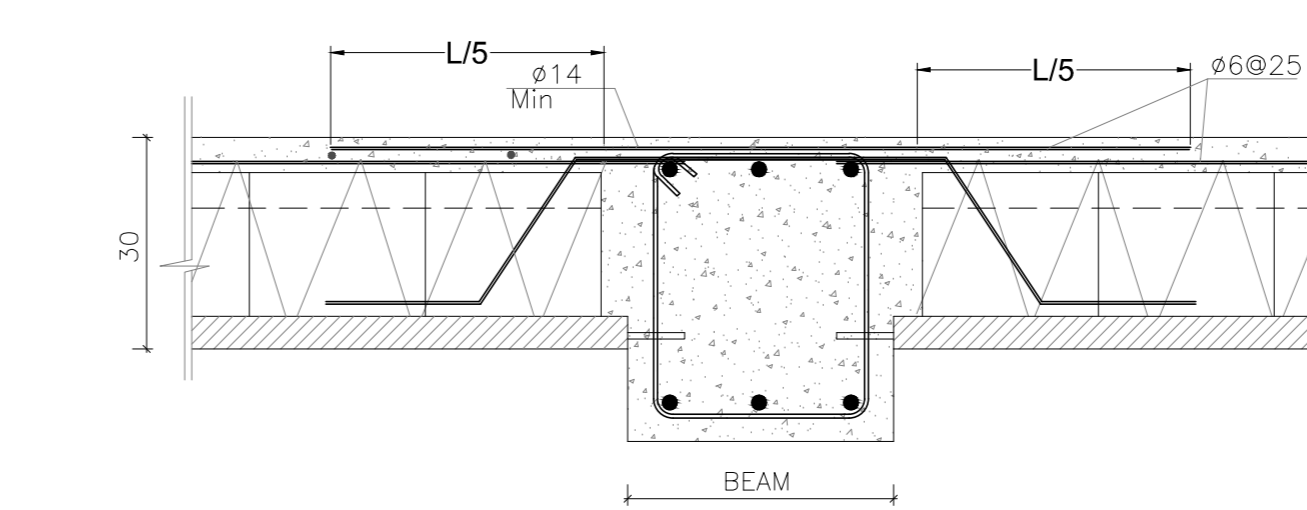
Columns Plan
Sc.1:50



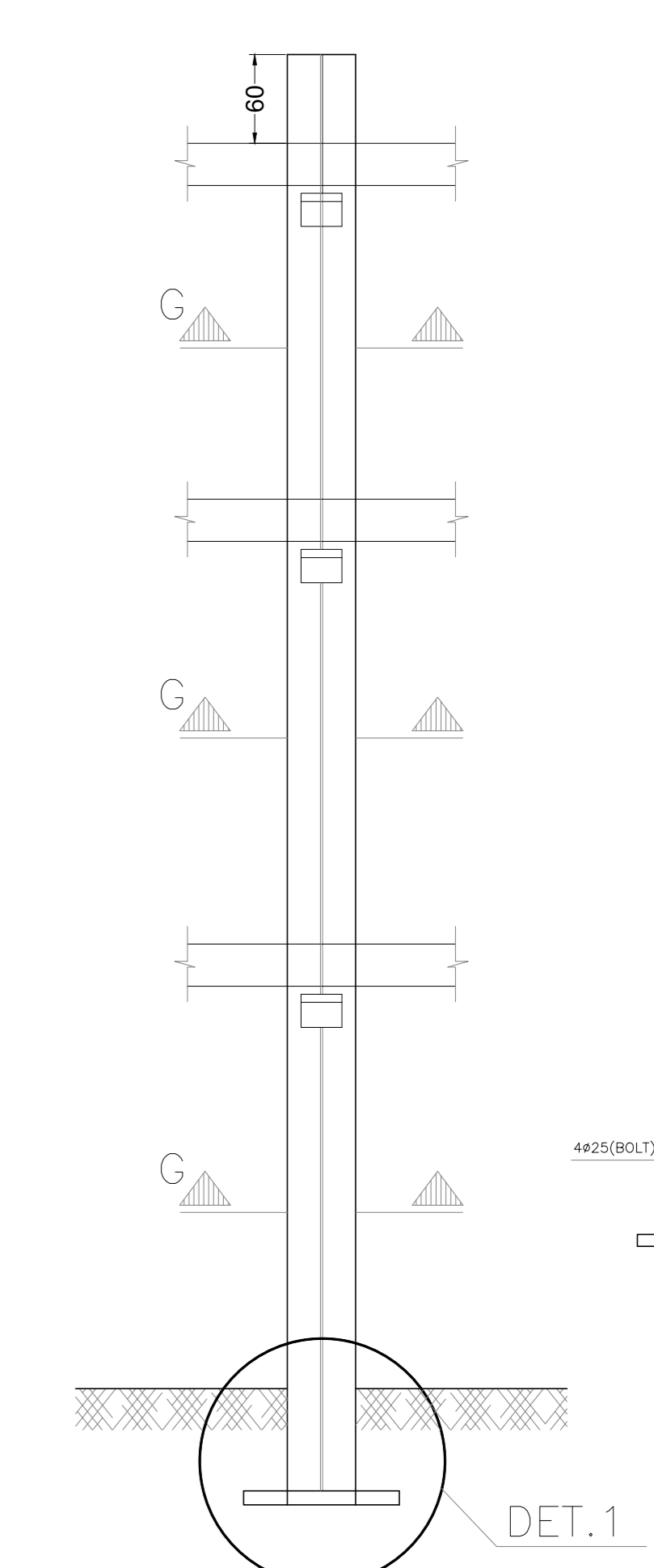
Con pendenza 1:6



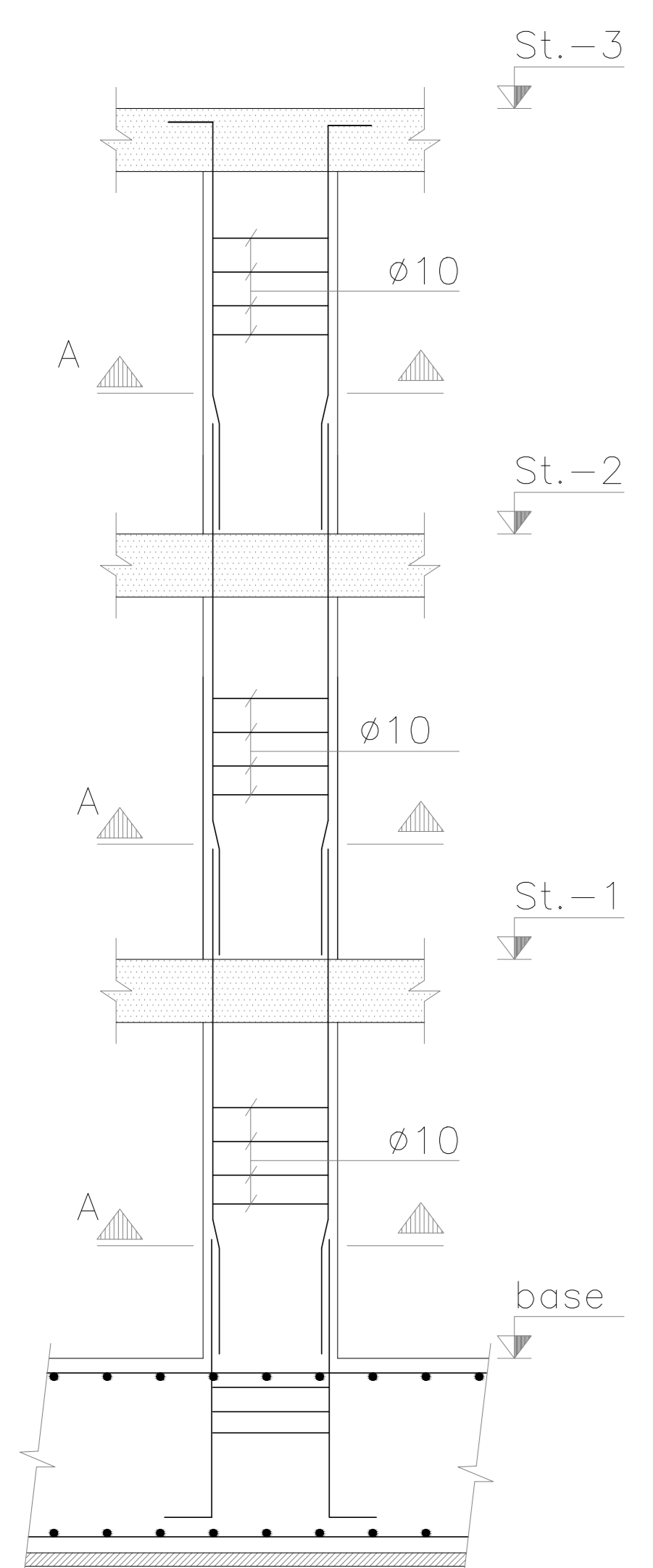
Non pendenza 1:6



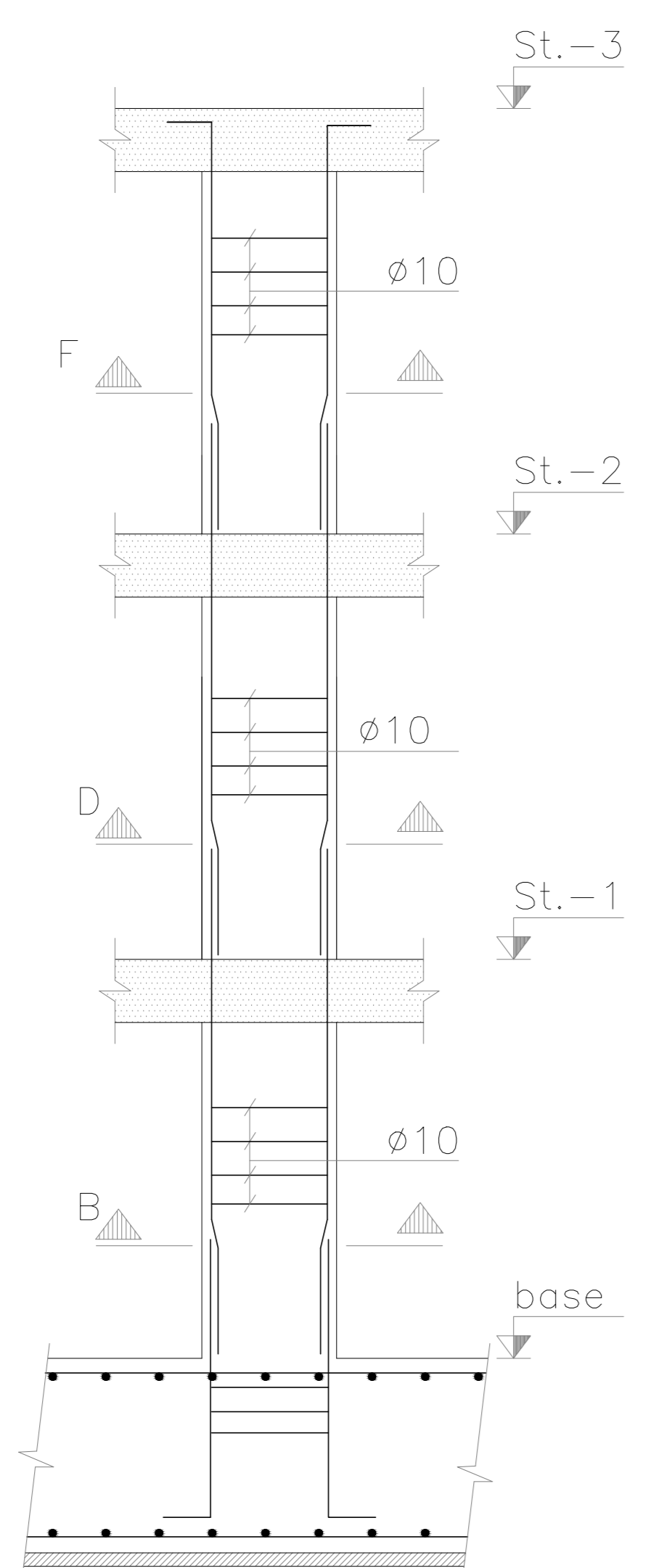
The connection of Beam & 2 beams with the same direction
Sc.1:5



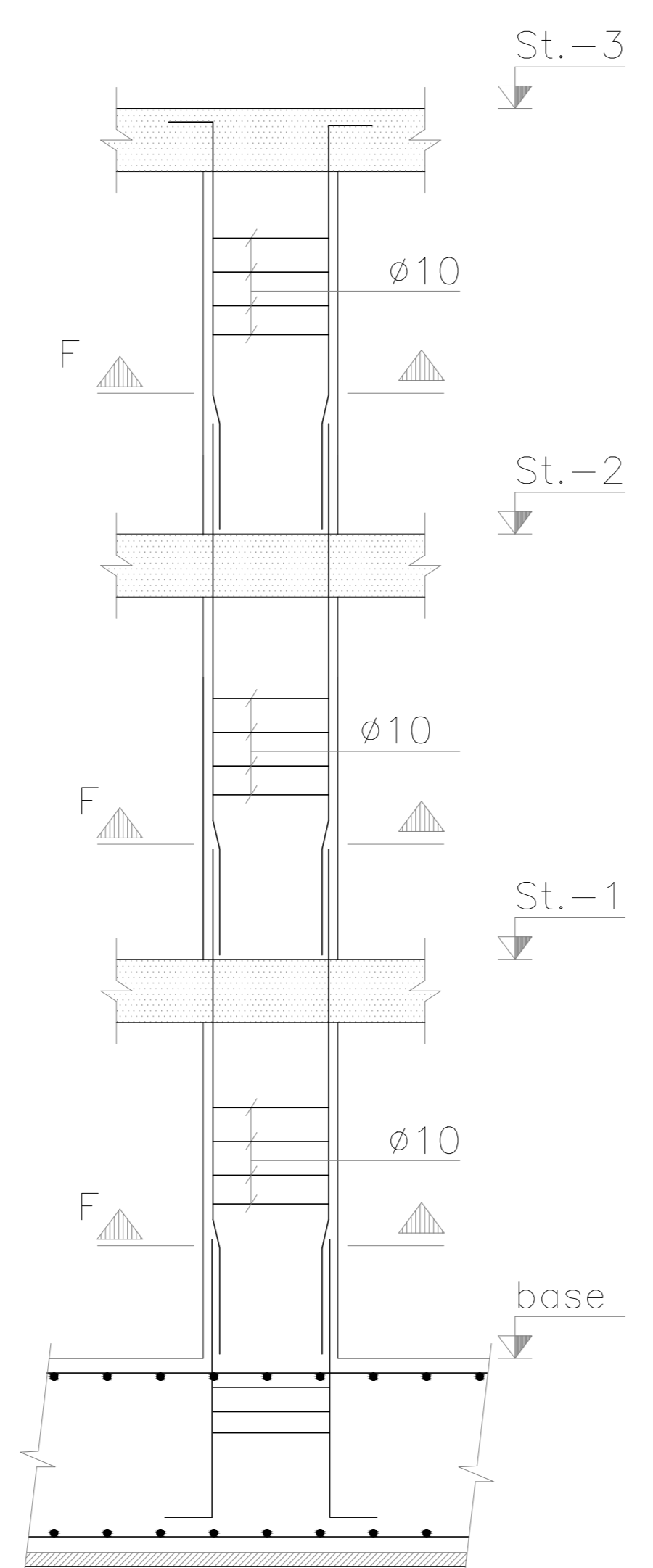
C.10 COL.
sc.1:2



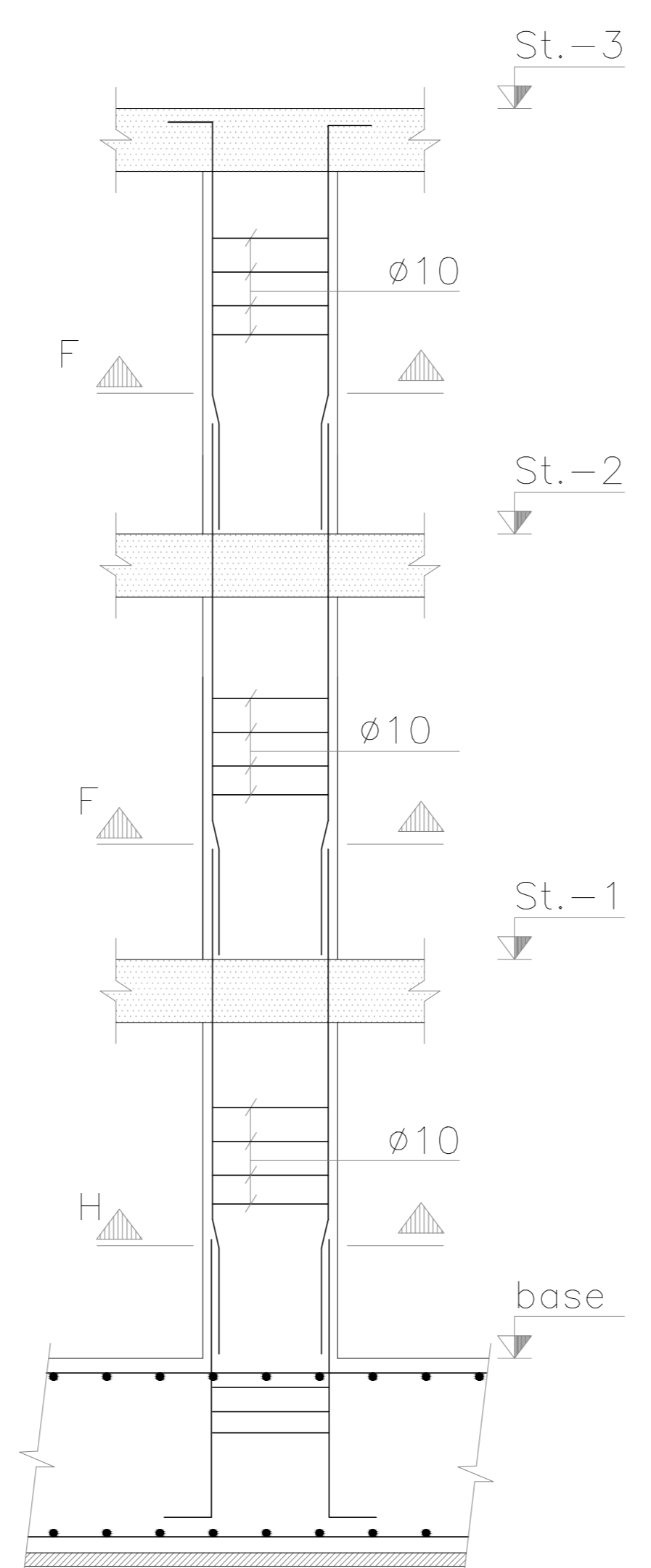
C.1 COL.
sc.1:2



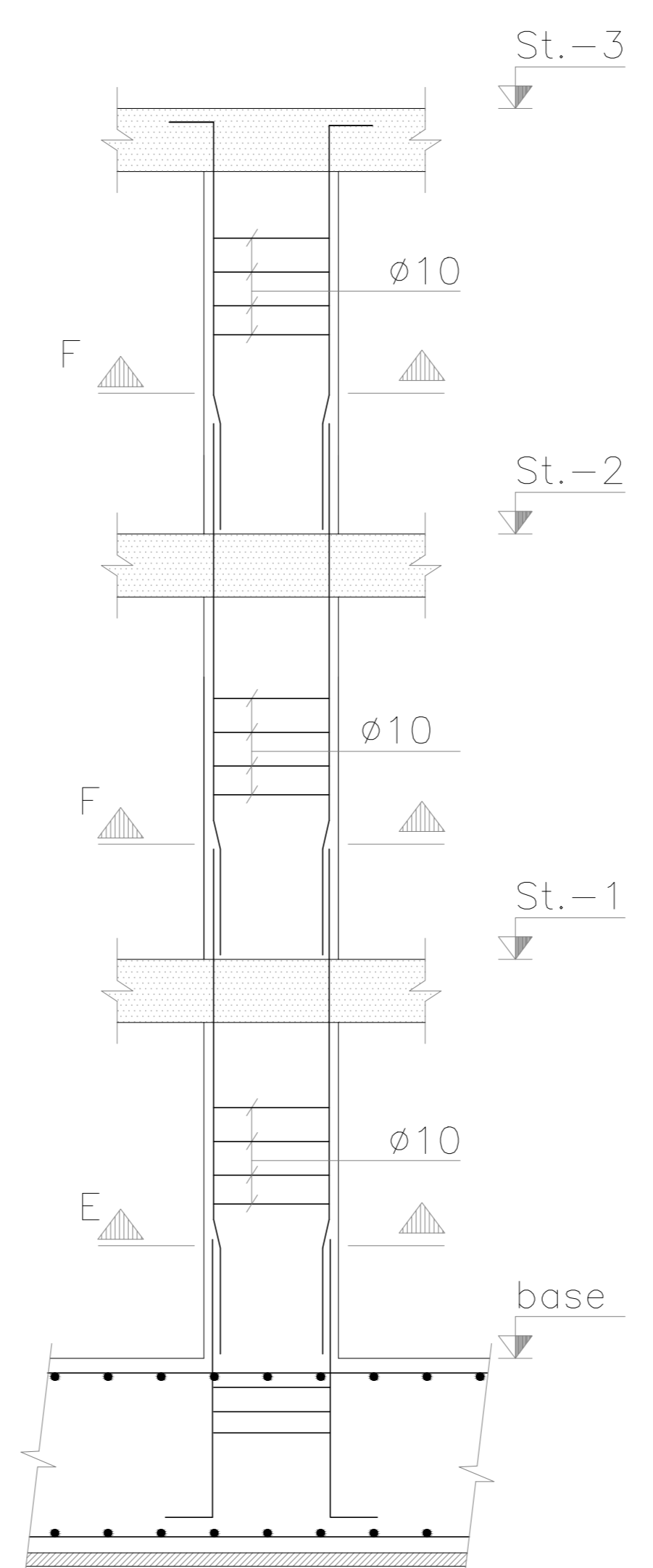
C.2 COL.
sc.1:2



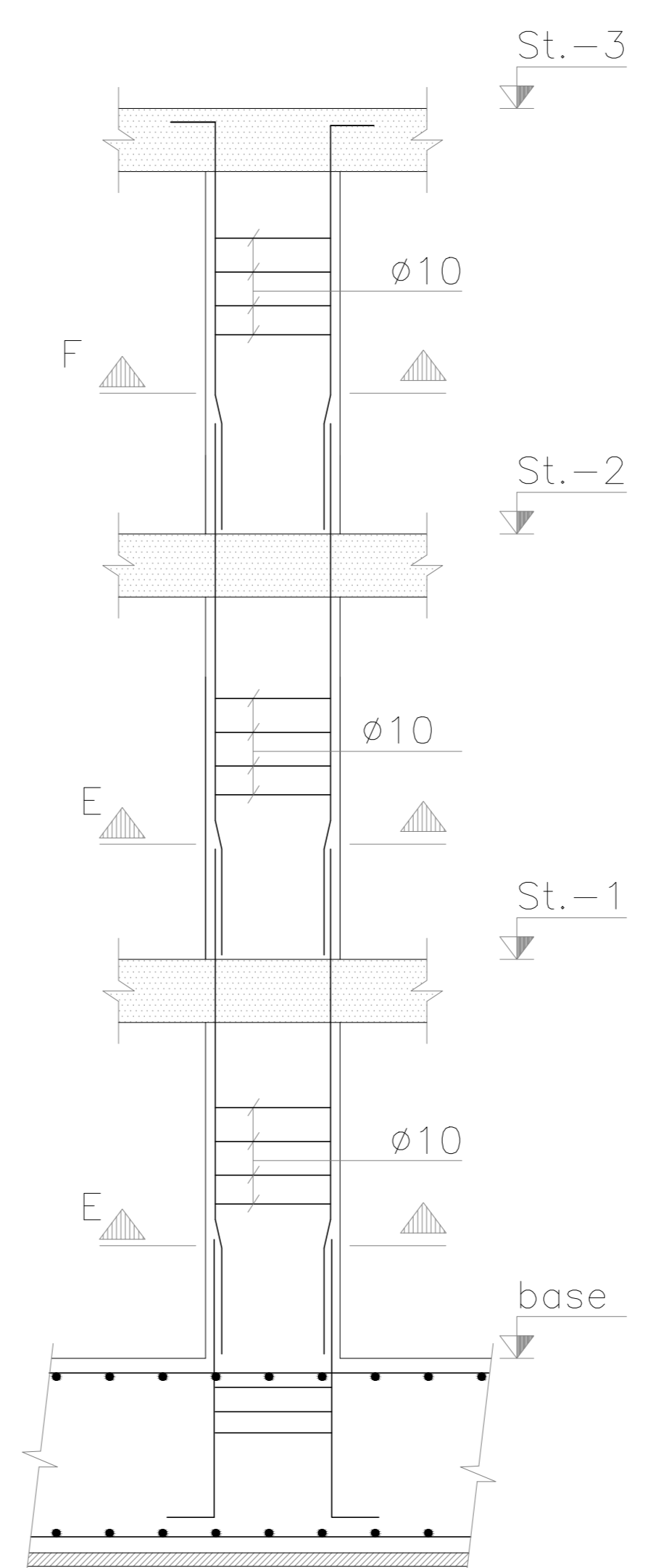
C.3 COL.
sc.1:2



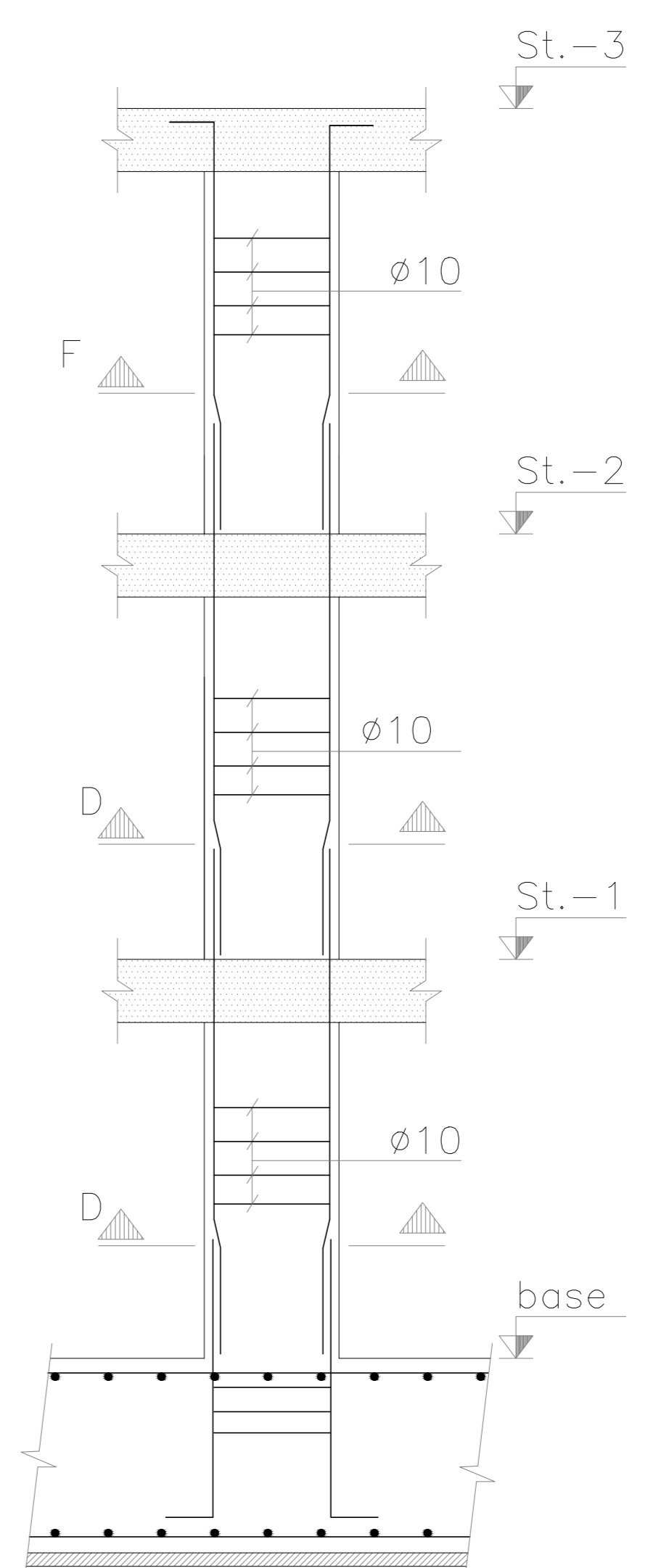
C.4 COL.
sc.1:2



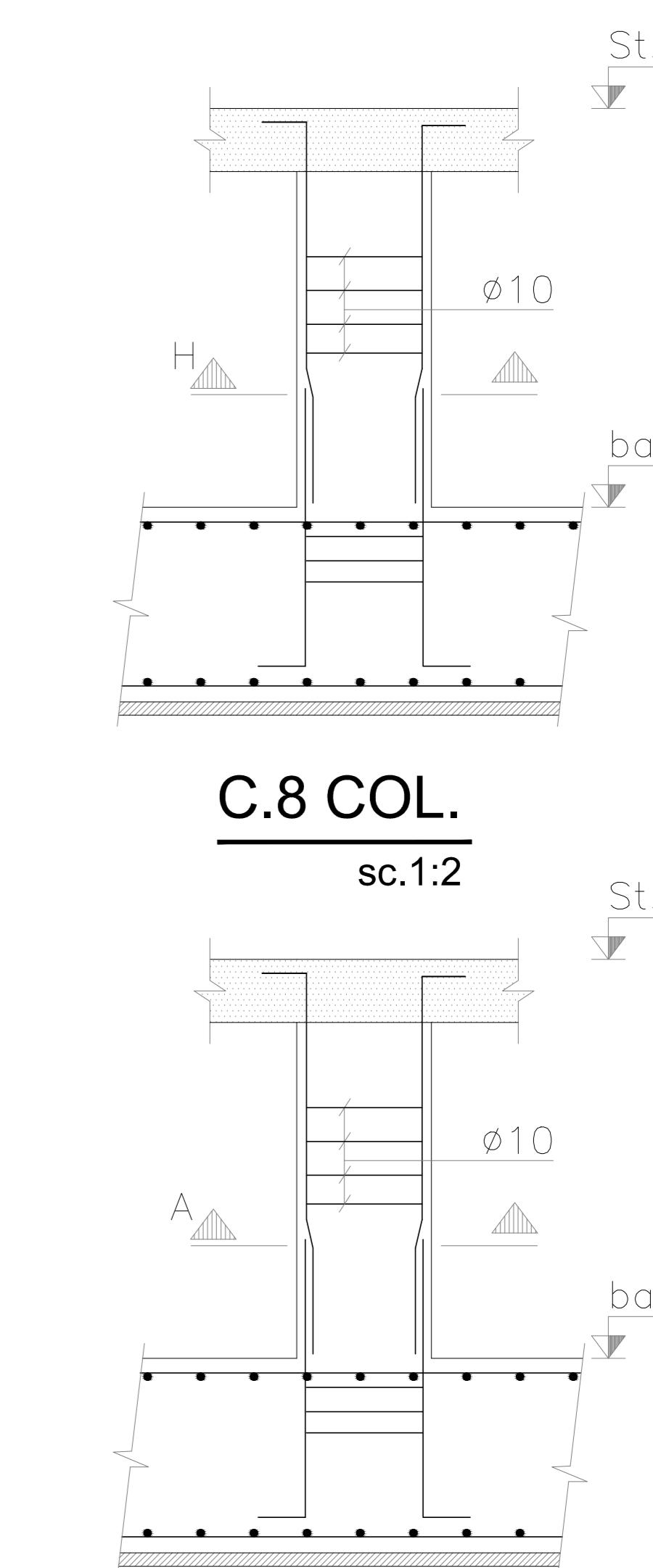
C.5 COL.
sc.1:2



C.6 COL.
sc.1:2



C.7 COL.
sc.1:2



C.9 COL.
sc.1:2

