

Copenhagen Modern Library-

A New Public Space

Introduction :

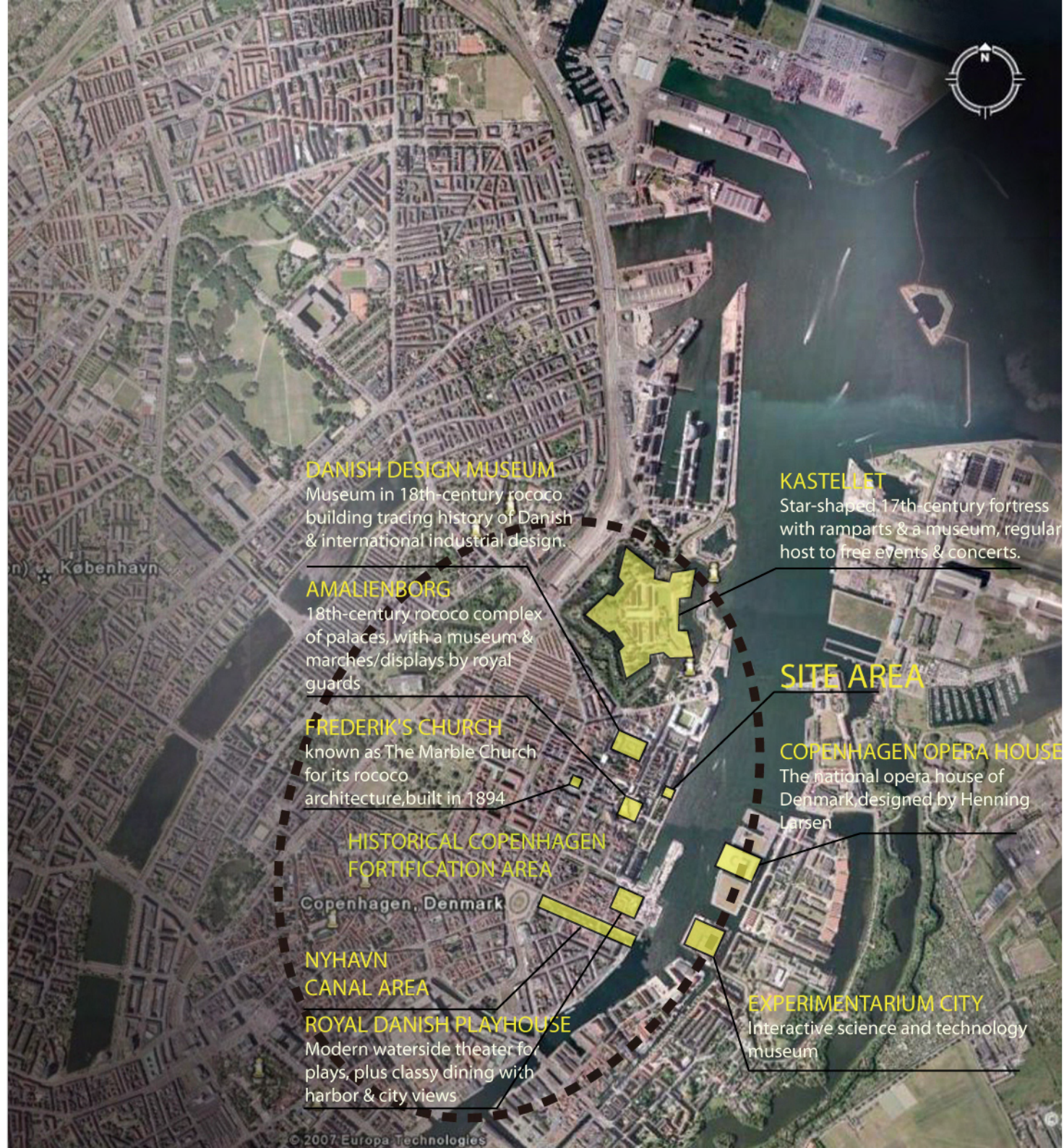
In 21st century ,the revolution of information technology already made incredible changes on the way people acquire information and knowledge. While traditional medias are constantly being challenged and replaced by digital media ,the main responsibility of libraries is shifting from storing publications to providing various public services for distributing knowledge and information through all kinds of public activities ,for this reason ,libraries will become a highly social and interactive place where various social activities will take place by the expansion of books. In this design,Copenhagen Modern Library is treated as a highly social space rather than a quiet reading place.Creating an extension of urban public activities is the key concept of this design.

Concept :

Paper media will be gradually replaced by digital media ,thus books can be considered as antiques in terms of functionality.In this design,books and book stacks are used as objects rather than information medias, therefore they can be used as decorations and walls for defining spaces.

COPENHAGEN OVERVIEW

-Geographical context



COPENHAGEN OVERVIEW

- Urban context



Arial view of Canal area

Frederik's Church
from Amalienborg Plaza

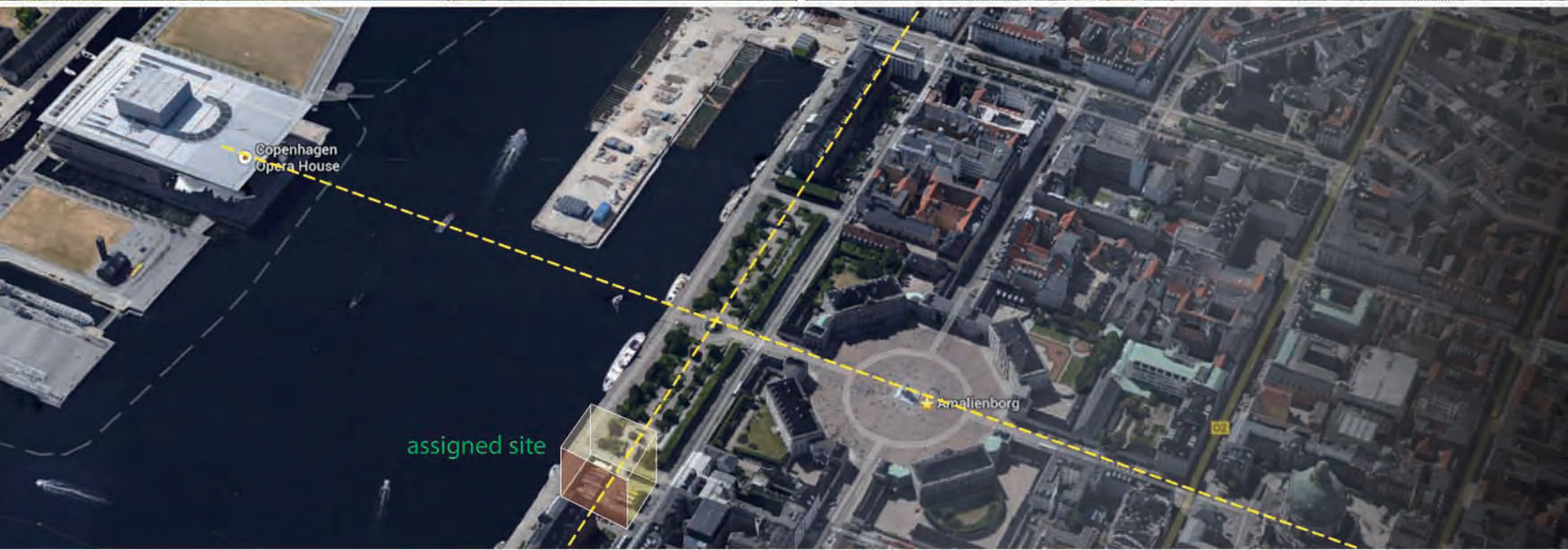
National opera house

Nyhavn Canal

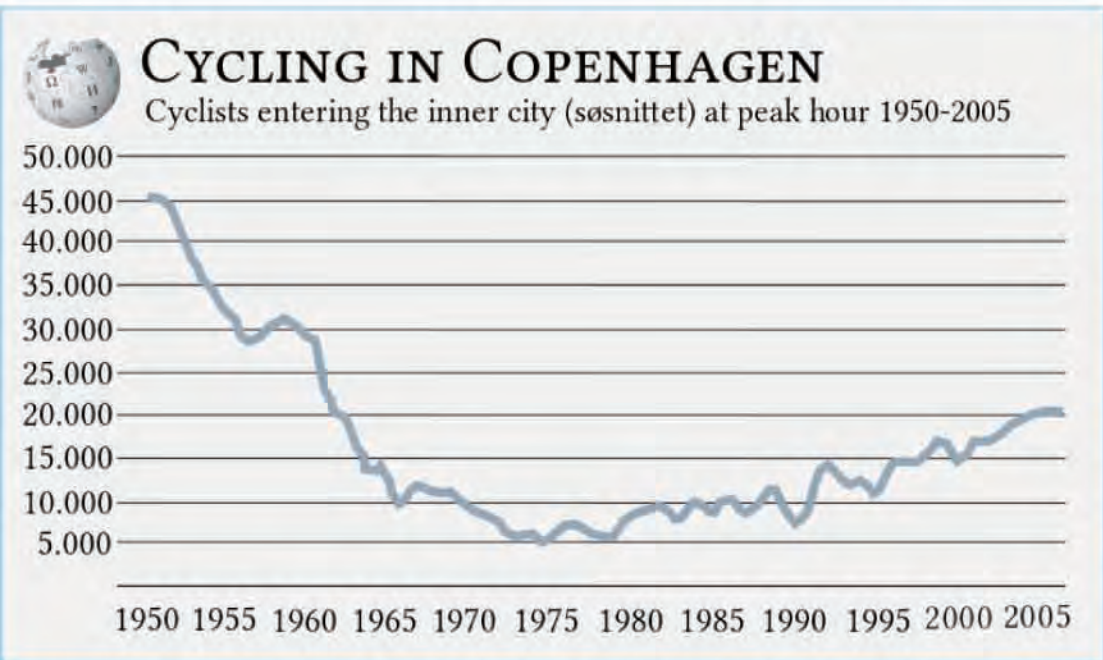


COPENHAGEN OVERVIEW

- Urban context



COPENHAGEN OVERVIEW - Urban Culture -Cycling

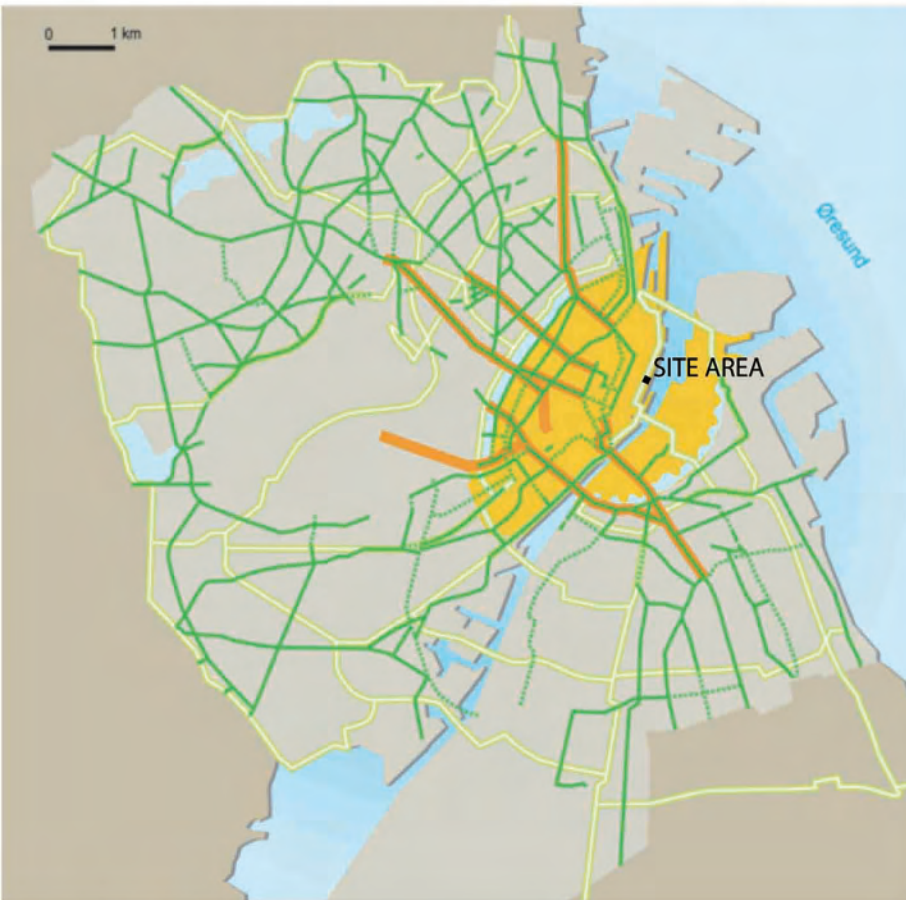


COPENHAGEN OVERVIEW

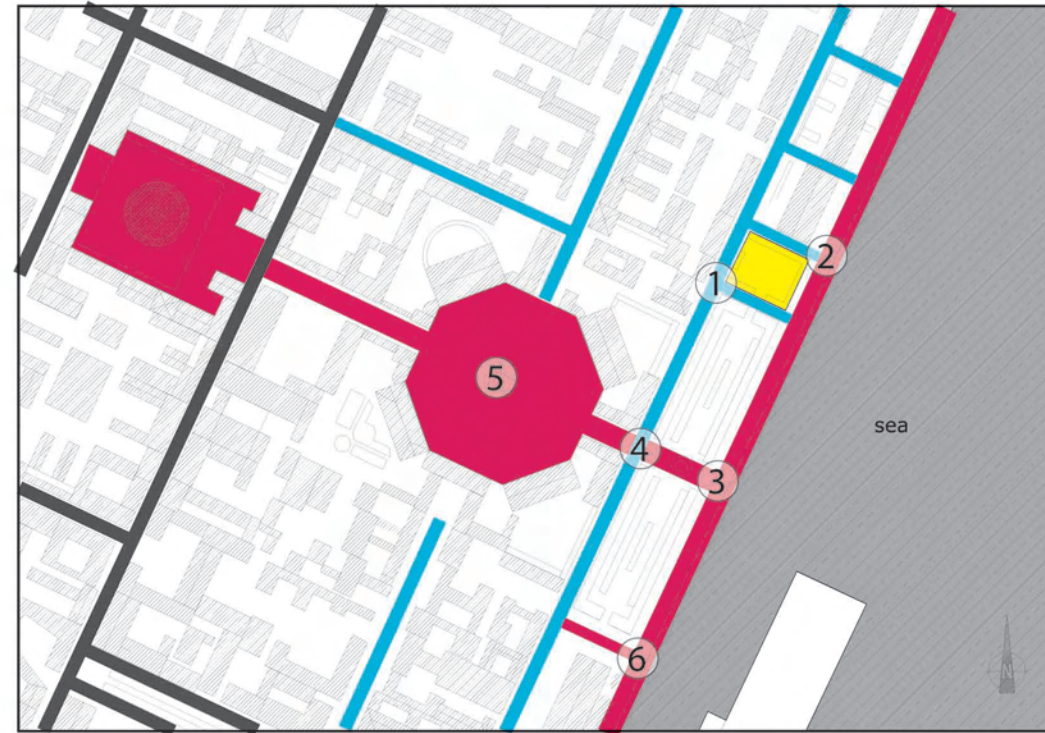
- Urban Traffic - Cycling

Bicycle track network

In Copenhagen 36% of the inhabitants cycle to work, using a network of more than 330 km of cycle tracks and travelling at an average speed of 15kph.



- existing cycling track
- existing track under development
- green route for longer cycle journeys
- route used by more than 10000 cycles/day
- central area where free cycles are provided



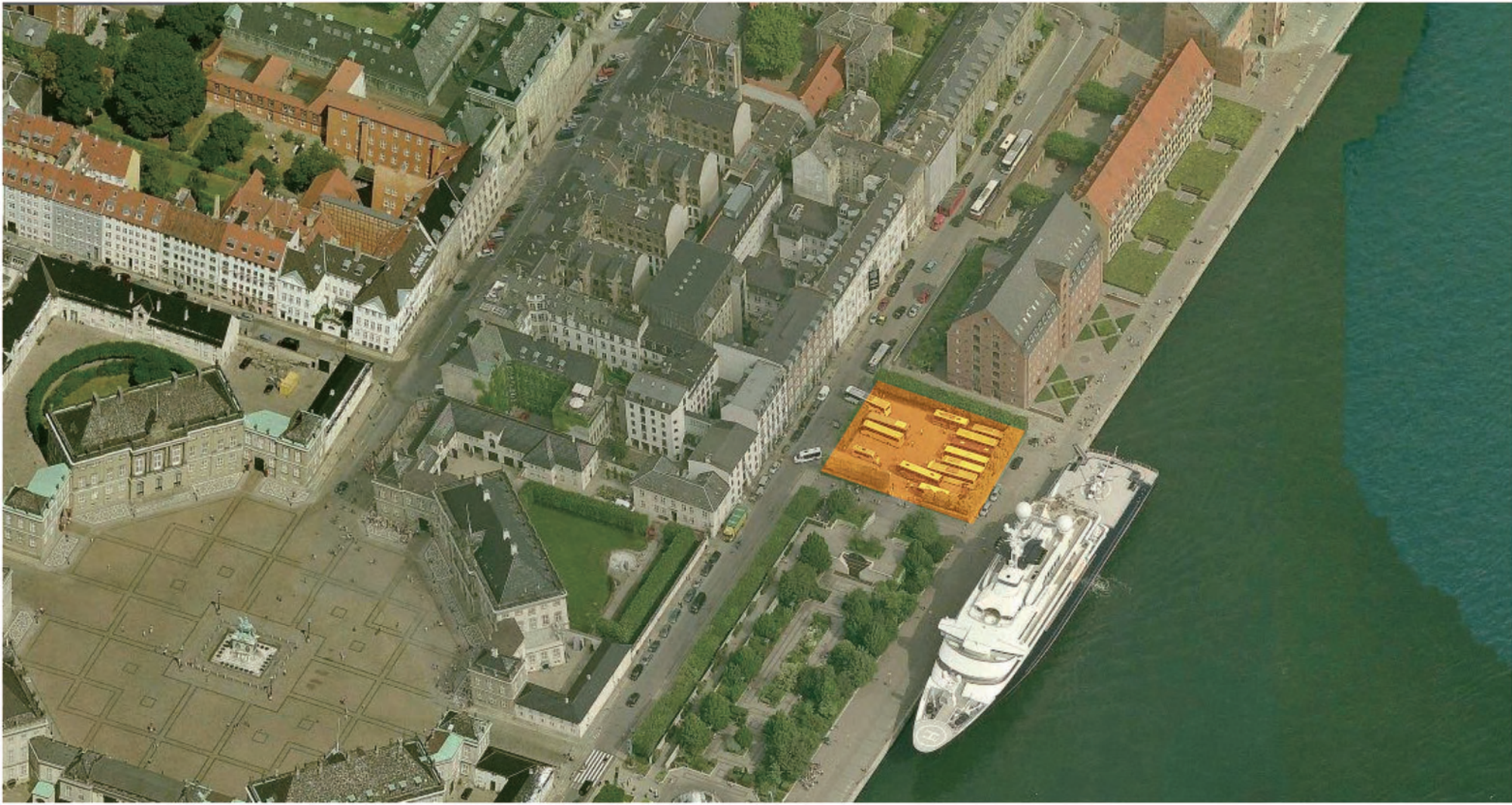
- pedestrian+bike shared
- bike+motor shared
- bike lane+motor separated



SITE OVERVIEW - The assigned site area

The contemporary Library - Copenhagen

The site, about 1700 square meters, is currently occupied by a parking lot for buses. One of the main features of the area is the presence of the waterfront, where the citizens and tourists like to walk, which arrives at the statue of the Little Mermaid, the symbol of the city. Another

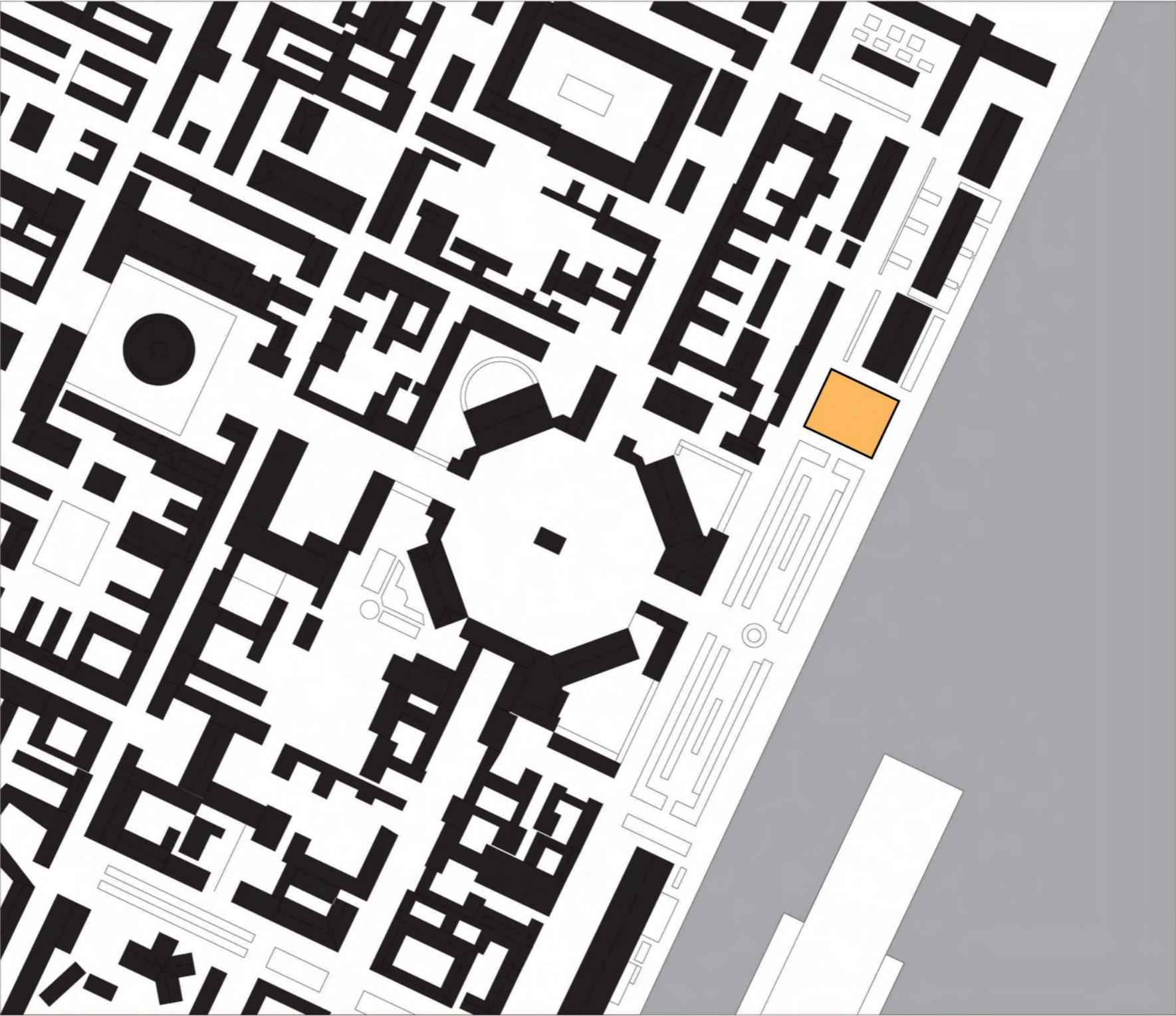


SITE OVERVIEW - The assigned site area

The contemporary Library - Copenhagen



**REGIONAL
ANALYSIS**
- Urban Texture



REGIONAL ANALYSIS

- Functional Morphology

- orange museums/theatre/gallery
- brown monumental/religious
- yellow educational
- green public green area
- blue residential+commercial mixed
- purple administration
- dark grey commercial/offices
- tan residence
- light blue hotel
- black others



COPENHAGEN OVERVIEW

- Climate

Climate data for Copenhagen (1961–1990) [\[hide\]](#)

Month	Jan	Feb	Mar	Apr	May	Jun	Jul	Aug	Sep	Oct	Nov	Dec	Year
Average high °C (°F)	1.9 (35.4)	2.0 (35.6)	4.8 (40.6)	9.5 (49.1)	15.0 (59)	19.2 (66.6)	20.4 (68.7)	20.3 (68.5)	16.7 (62.1)	12.1 (53.8)	7.1 (44.8)	3.7 (38.7)	11.1 (52)
Daily mean °C (°F)	0.1 (32.2)	-0.1 (31.8)	2.0 (35.6)	5.7 (42.3)	10.9 (51.6)	15.1 (59.2)	16.4 (61.5)	16.3 (61.3)	13.2 (55.8)	9.5 (49.1)	5.1 (41.2)	1.8 (35.2)	8 (46.4)
Average low °C (°F)	-2 (28)	-2.4 (27.7)	-0.6 (30.9)	2.3 (36.1)	7.2 (45)	11.3 (52.3)	12.9 (55.2)	12.6 (54.7)	9.8 (49.6)	6.7 (44.1)	2.7 (36.9)	-0.5 (31.1)	5.0 (41)
Precipitation mm (inches)	46 (1.81)	30 (1.18)	39 (1.54)	39 (1.54)	42 (1.65)	52 (2.05)	68 (2.68)	64 (2.52)	60 (2.36)	56 (2.2)	61 (2.4)	56 (2.2)	613 (24.13)
Avg. rainy days (≥ 1mm)	10	8	9	8	8	8	10	10	10	9	12	11	113
Mean monthly sunshine hours	45	67	110	168	217	218	202	193	133	90	55	42	1,539

Source: [Danmarks Meteorologiske Institut](#)



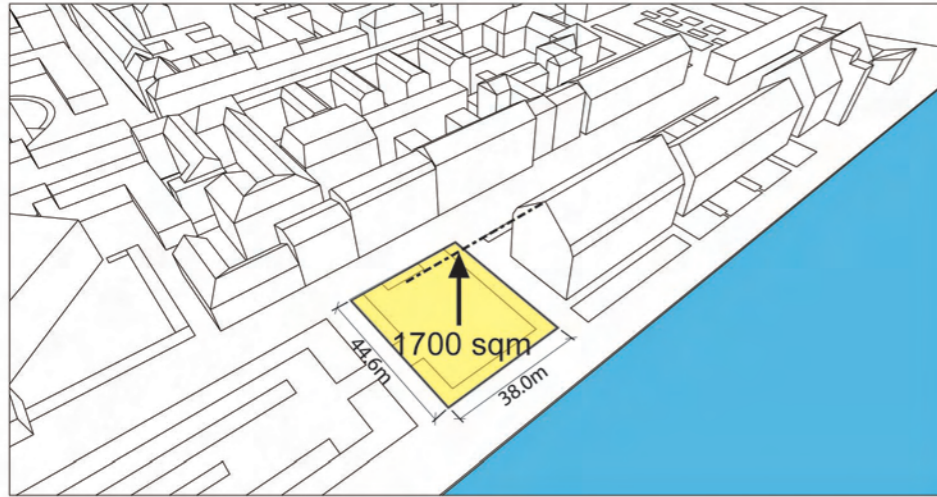
commuters in a snowy street of copenhagen



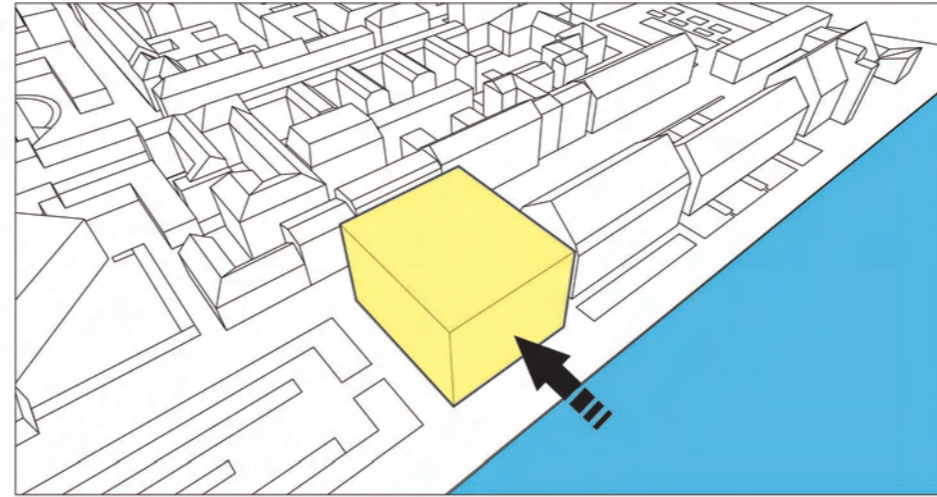
summer days of copenhagen

Copenhagen is in the oceanic climate zone. Its weather is subject to low-pressure systems from the Atlantic which result in unstable conditions throughout the year. The Gulf Stream brings warmer water across from the Gulf of Mexico causing average temperatures to be some 5 degrees higher than would be expected for the city's latitude of 55 degrees North. Apart from slightly higher rainfall from July to September, precipitation is moderate. While there can be snow from late December to late April, there can also be rain with average temperatures around the freezing point.

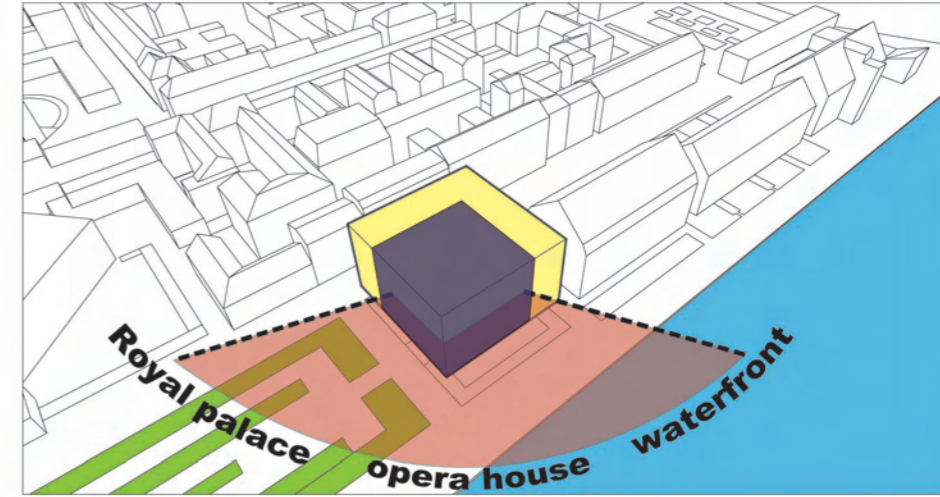
GENERALS TRATEGY



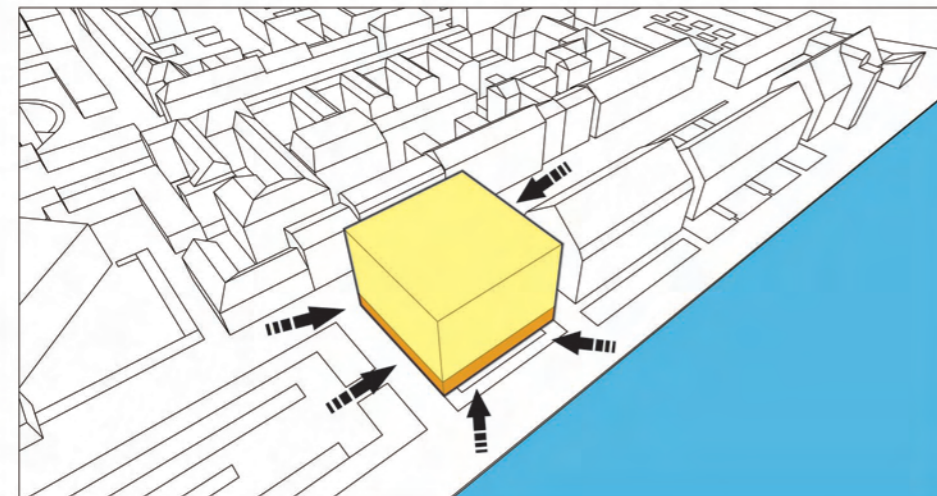
creating a mass referring to the neighboring building height in order to maintain the continuity of spacial features of historical city.



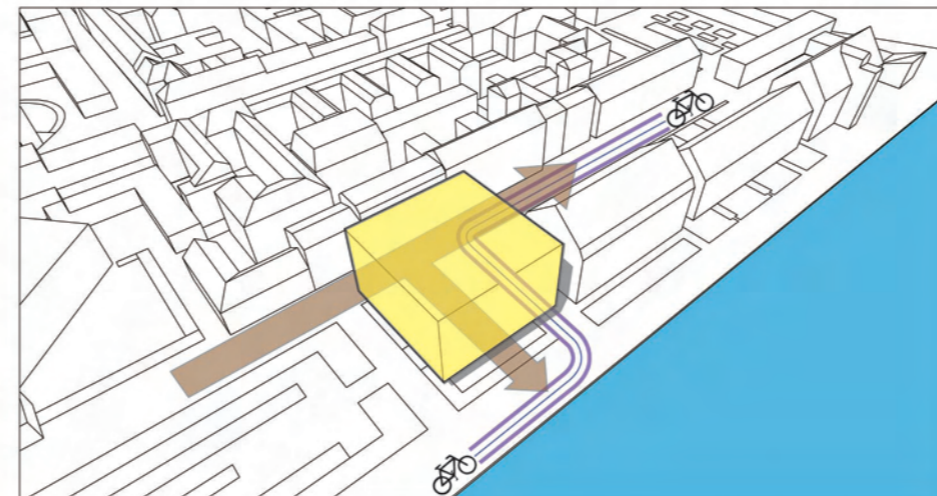
withdrawing the waterfront facade backward



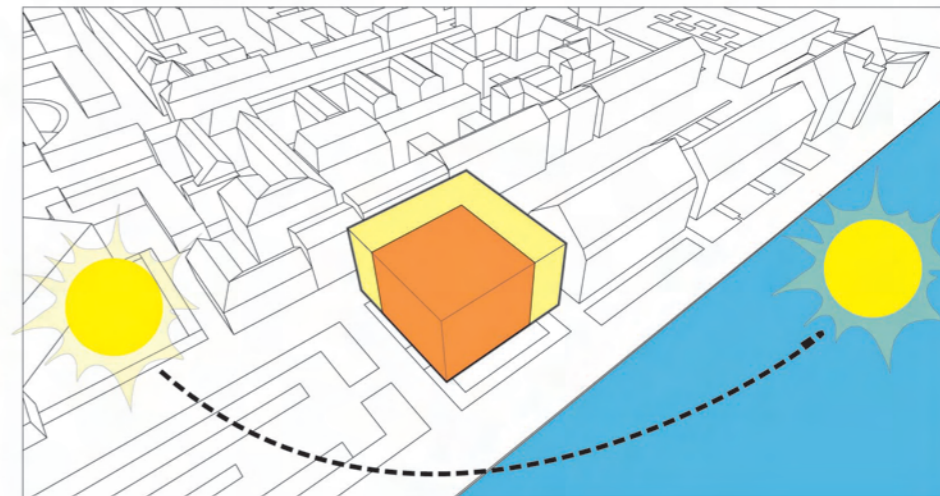
best observation area within the box for featured landscape elements



freeing up the ground level space in order to extend the outdoor space into the building

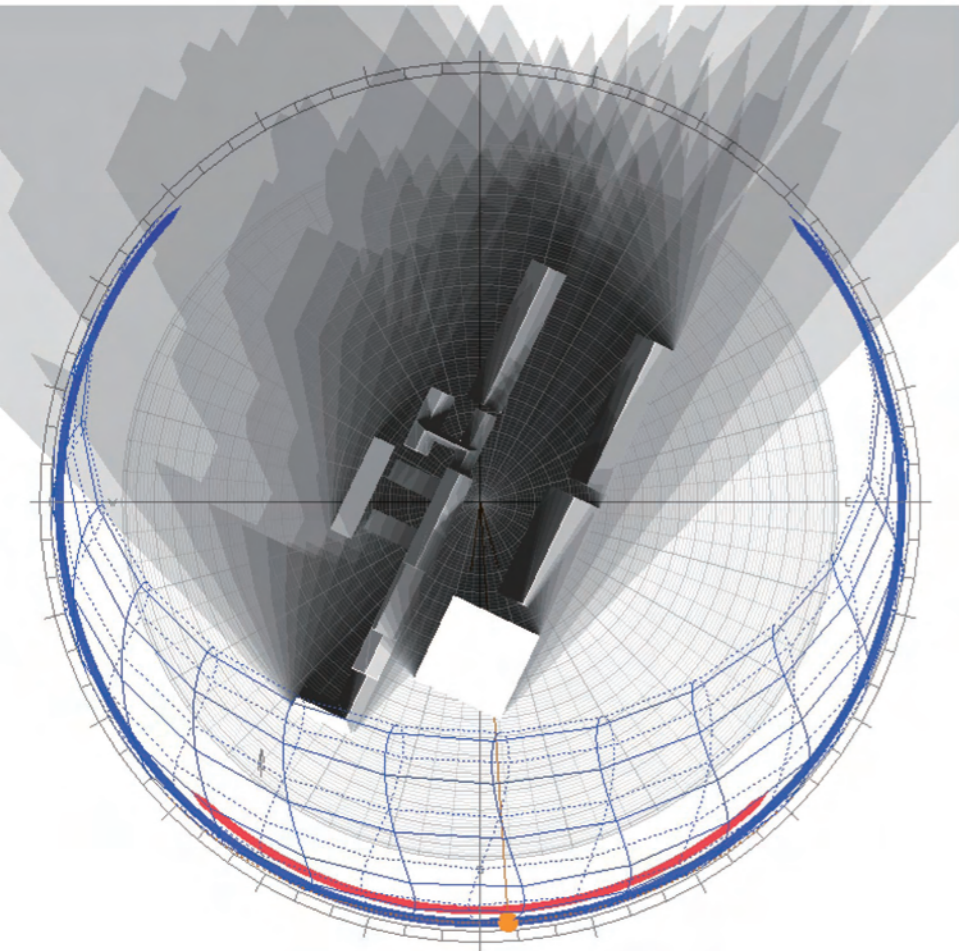


using ground level as a free and transparent space as well as a hub of bicycle route and a bicycle parking place.

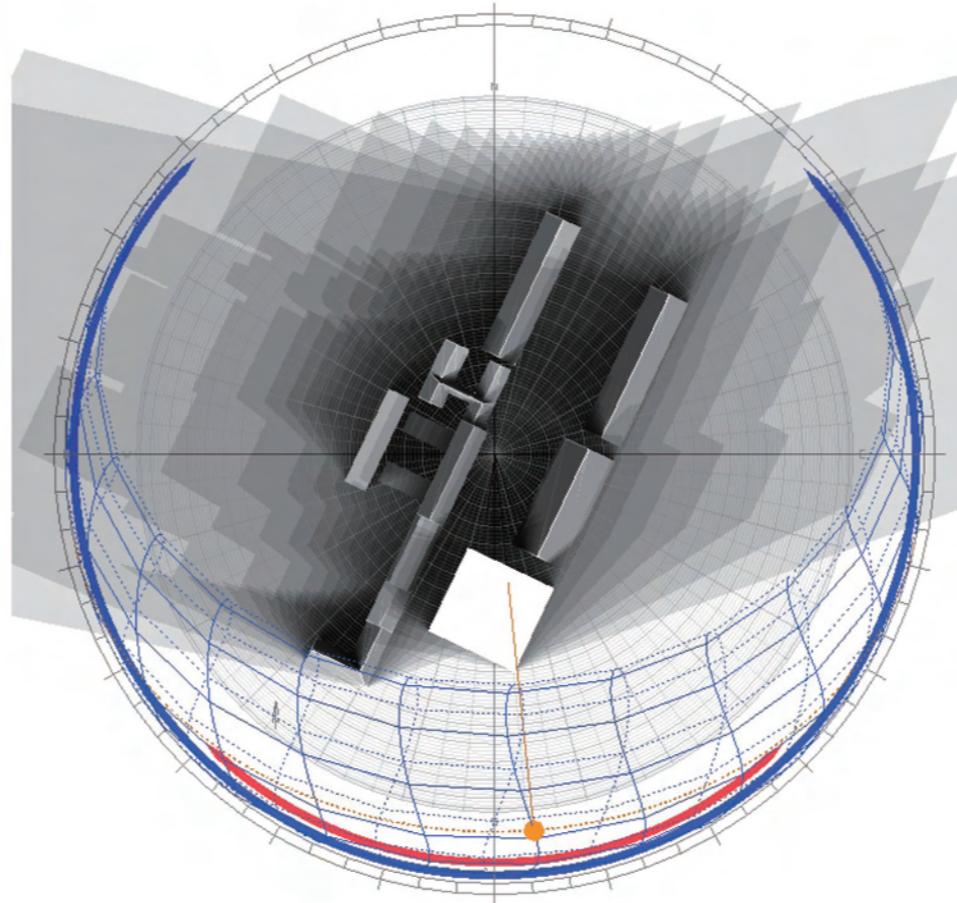


finding out the most solar-oriented space for placing the most natural light demanding activities.

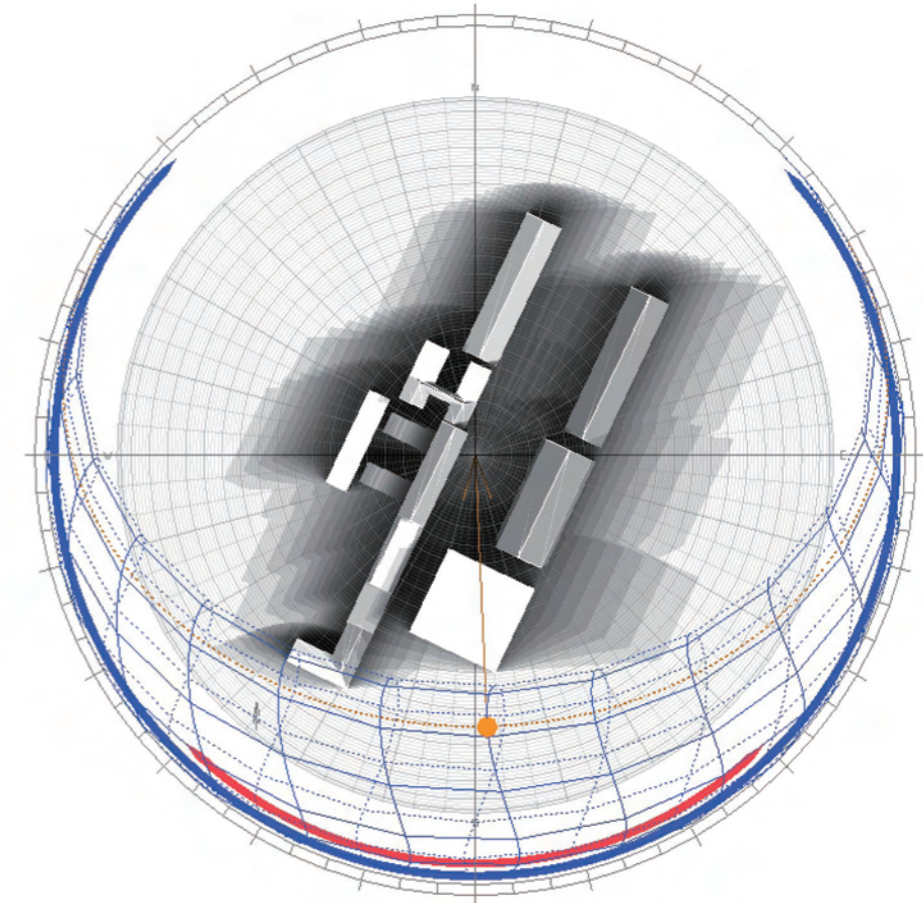
Solar shading analysis



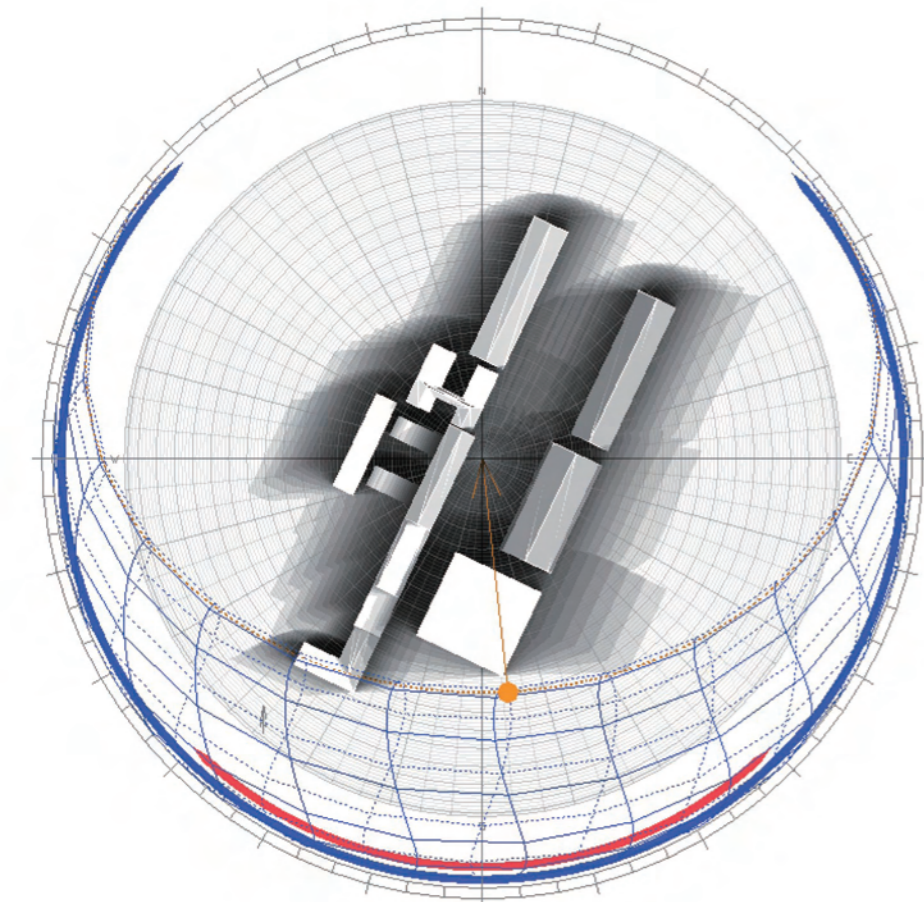
January 7th 12:00 am



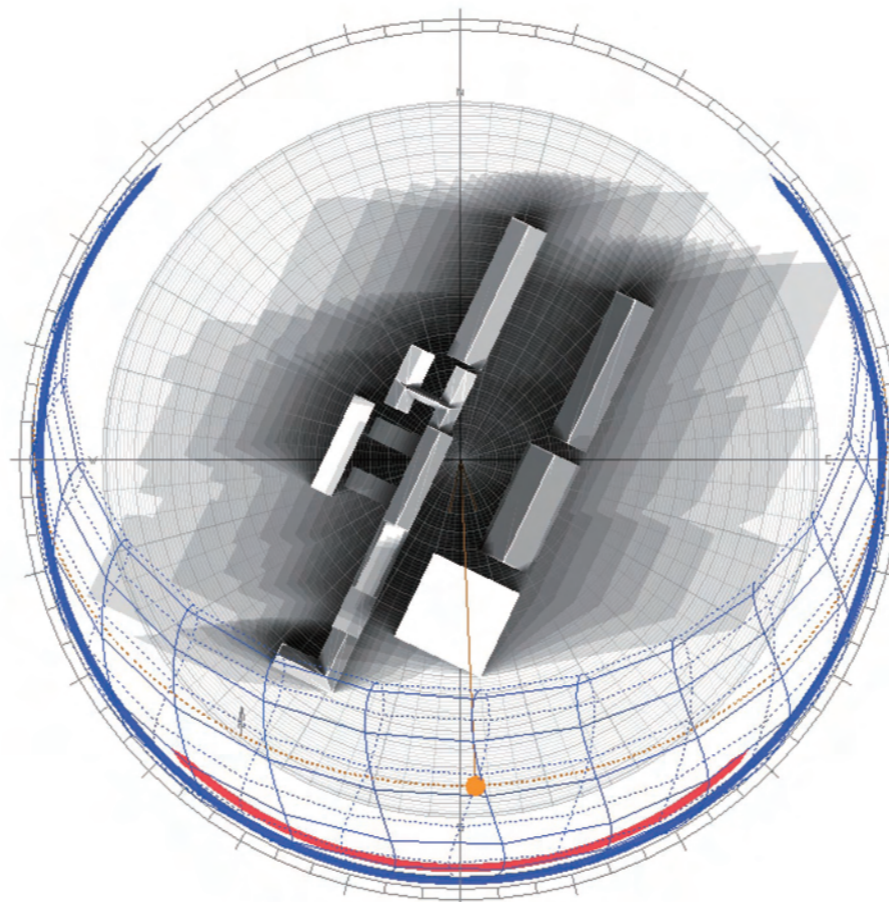
March 7th 12:00 am



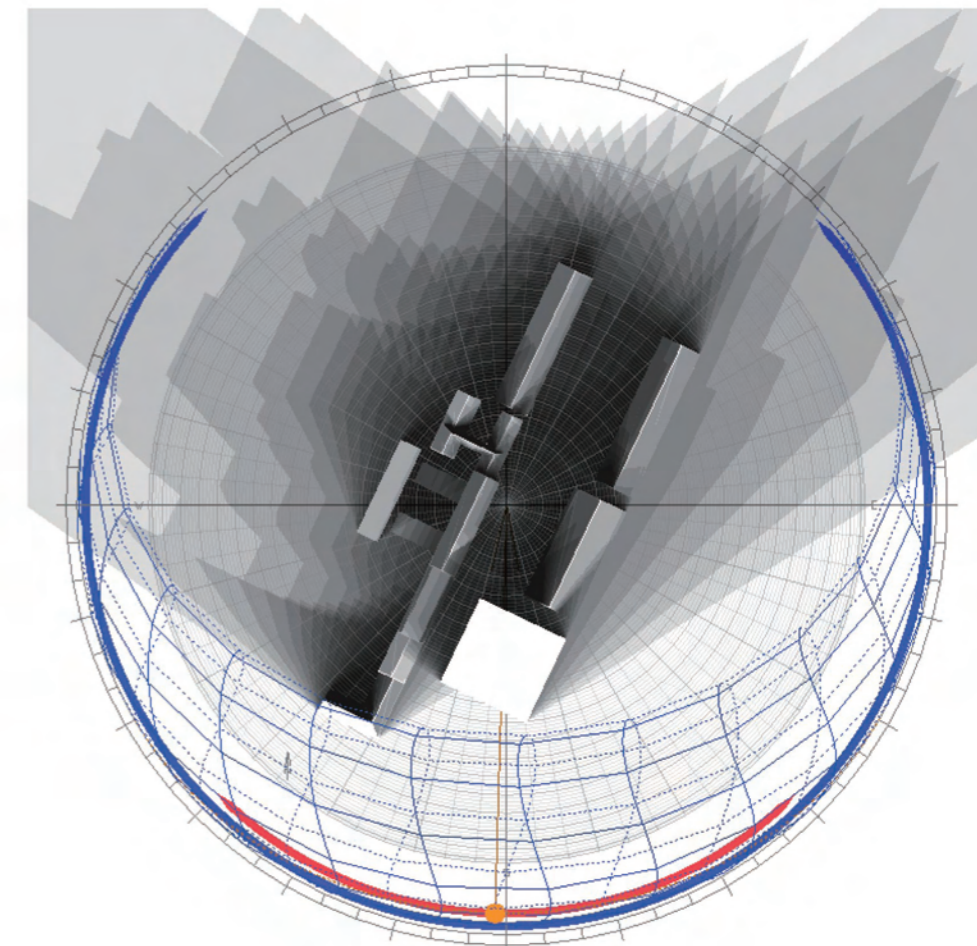
May 7th 12:00 am



July 7th 12:00 am

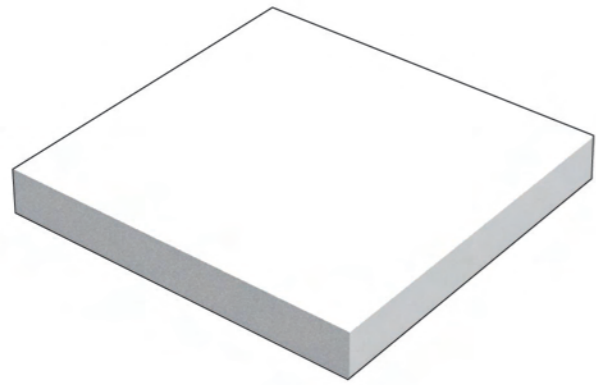


September 7th 12:00 am

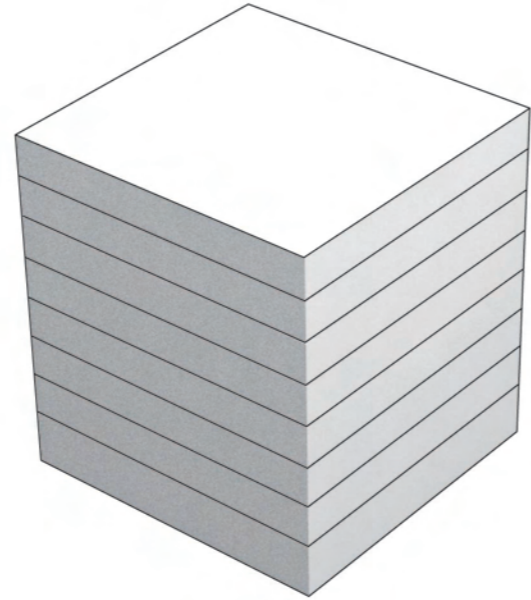


November 7th 12:00 am

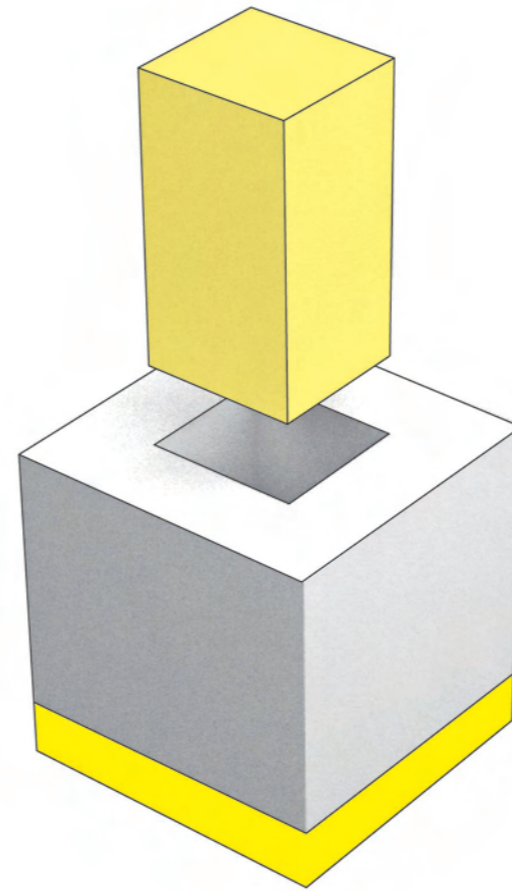
SPACE FORMATION



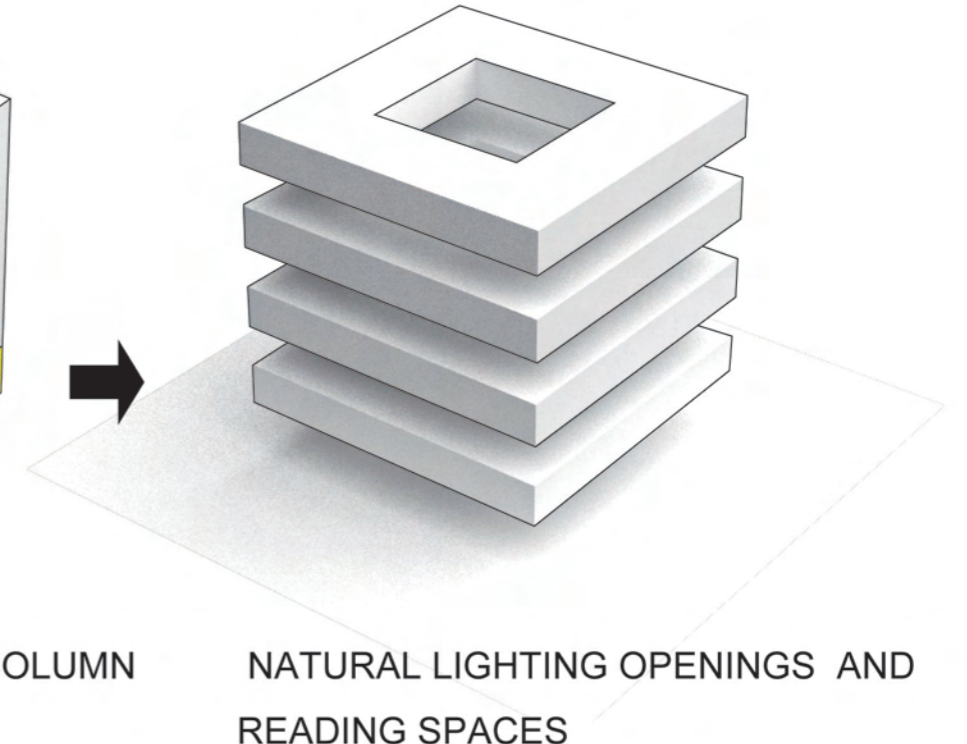
COMPARTMENT UNIT



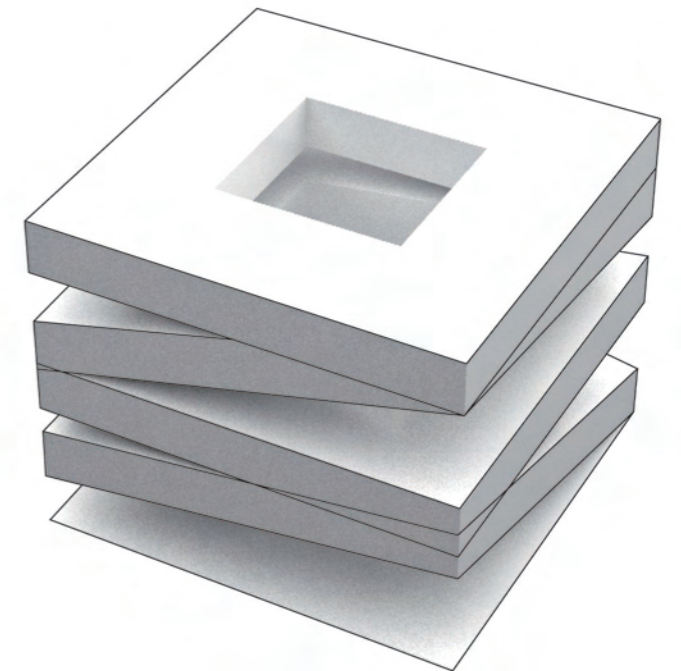
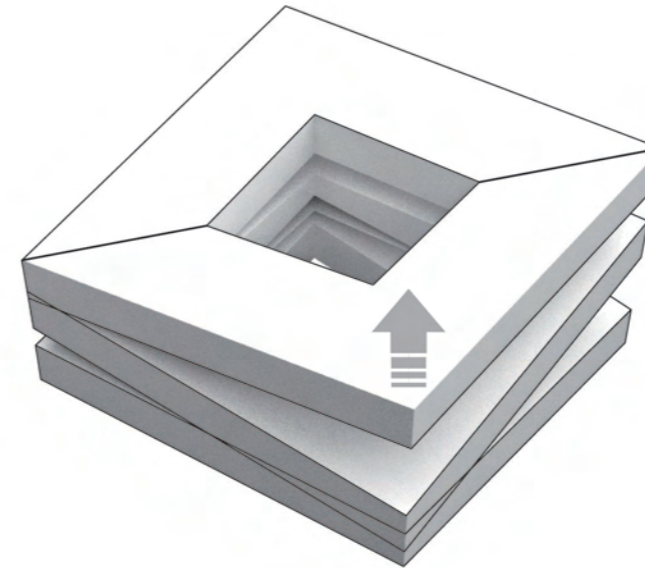
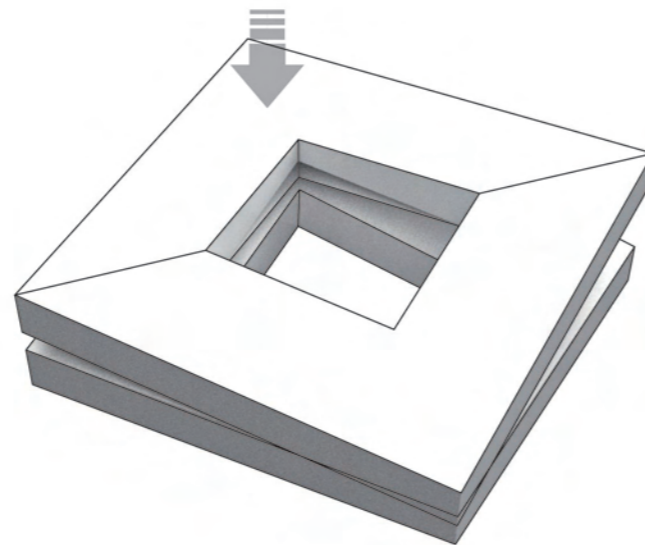
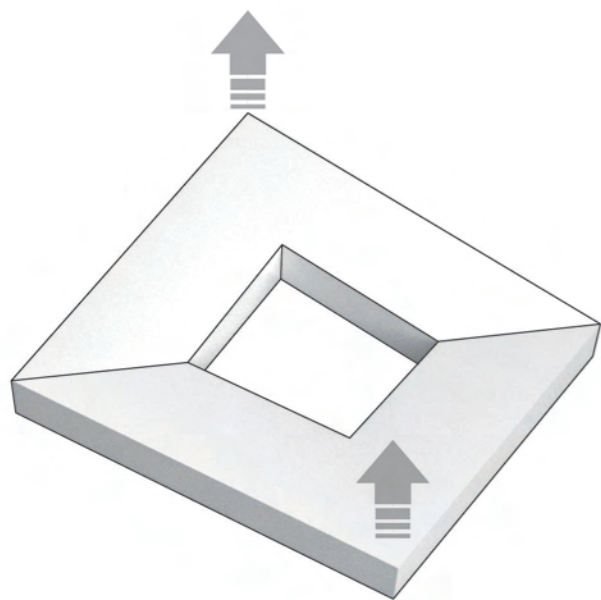
MULTI-COMPARTMENT BODY



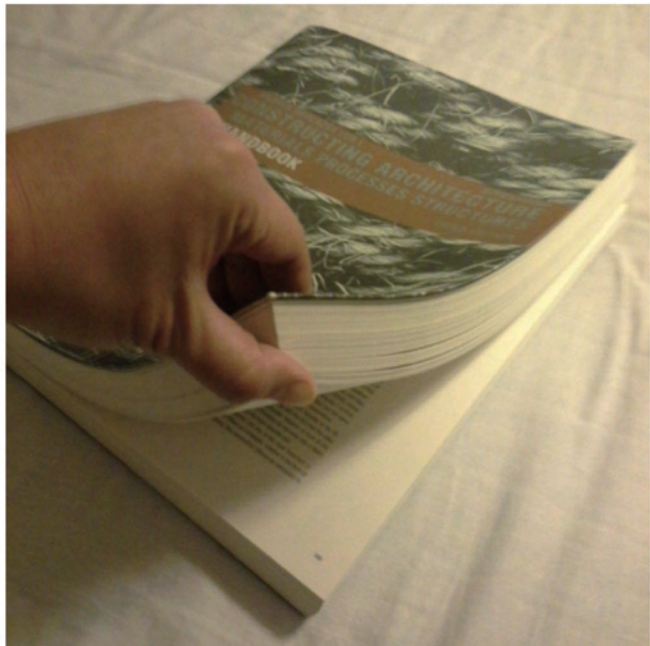
PUBLIC SPACE AND BOOK COLUMN



NATURAL LIGHTING OPENINGS AND READING SPACES



CONCEPT



BOOK
BOOK
BOOK
BOOK
BOOK



BOOK
BOOK
BOOK
BOOK
BOOK



LEARN
PLAY
WORK
READ
MEET
PUBLIC

PROGRAM

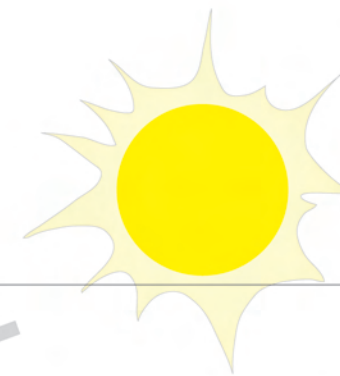
A Book-Centered activity chain



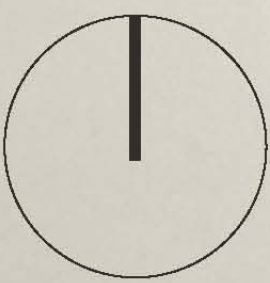
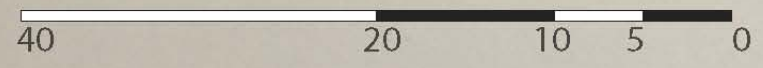
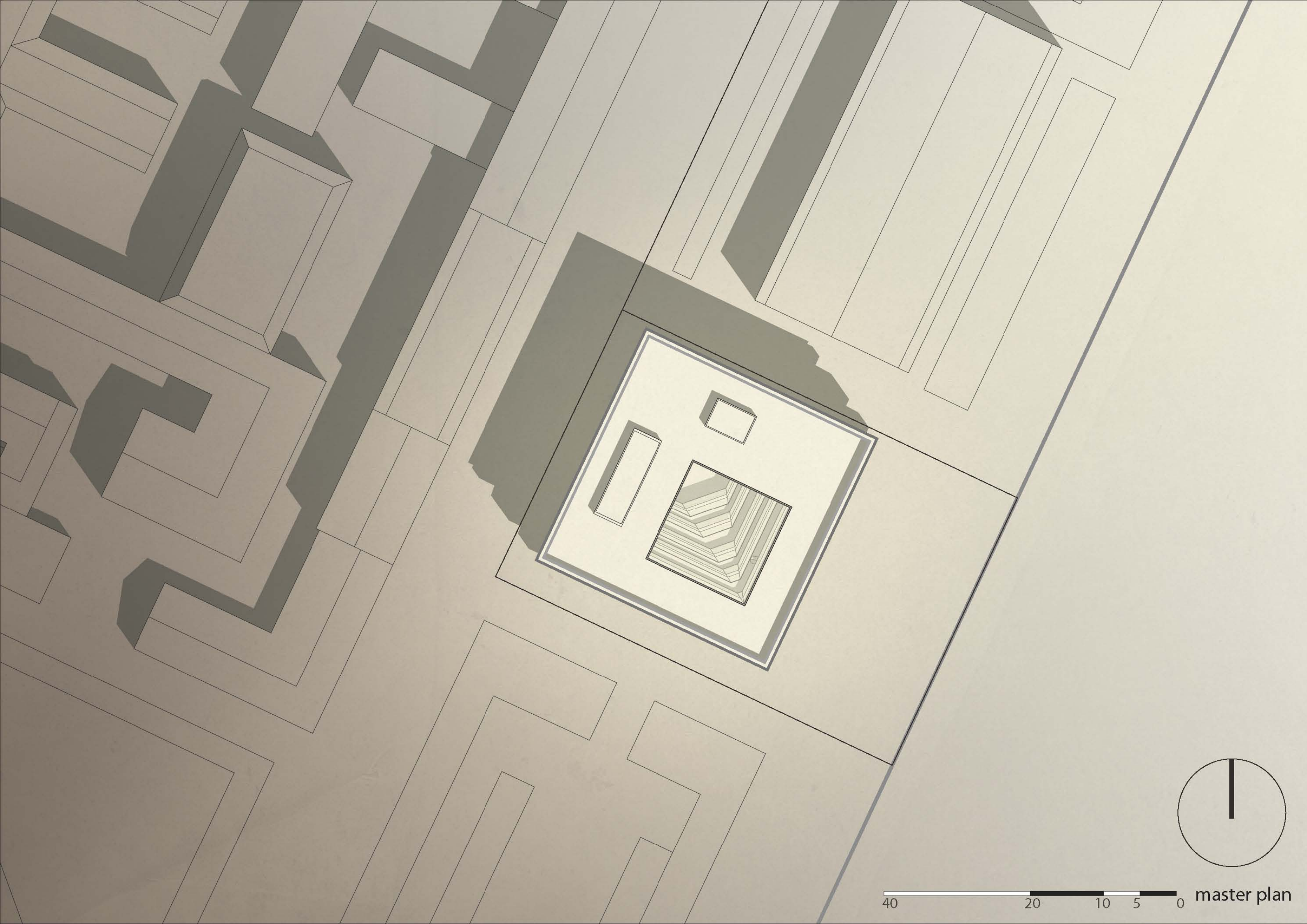
copenhagen
old city

KIDS PLACE
GALLERY INTERACTIVE SPACE
OBSERVATION
REDAING
REDAING LOUNGE
OBSERVATION
MULTIMEDIA **REDAING**
REDAING **MAKER SPACE**
LECTURE STUFF TRAINING
WORKSPACE PRINTSHOP
CINEMA **REDAING**
RESTAURANT
EXHIBITION LOBBY
ENTRANCE HALL

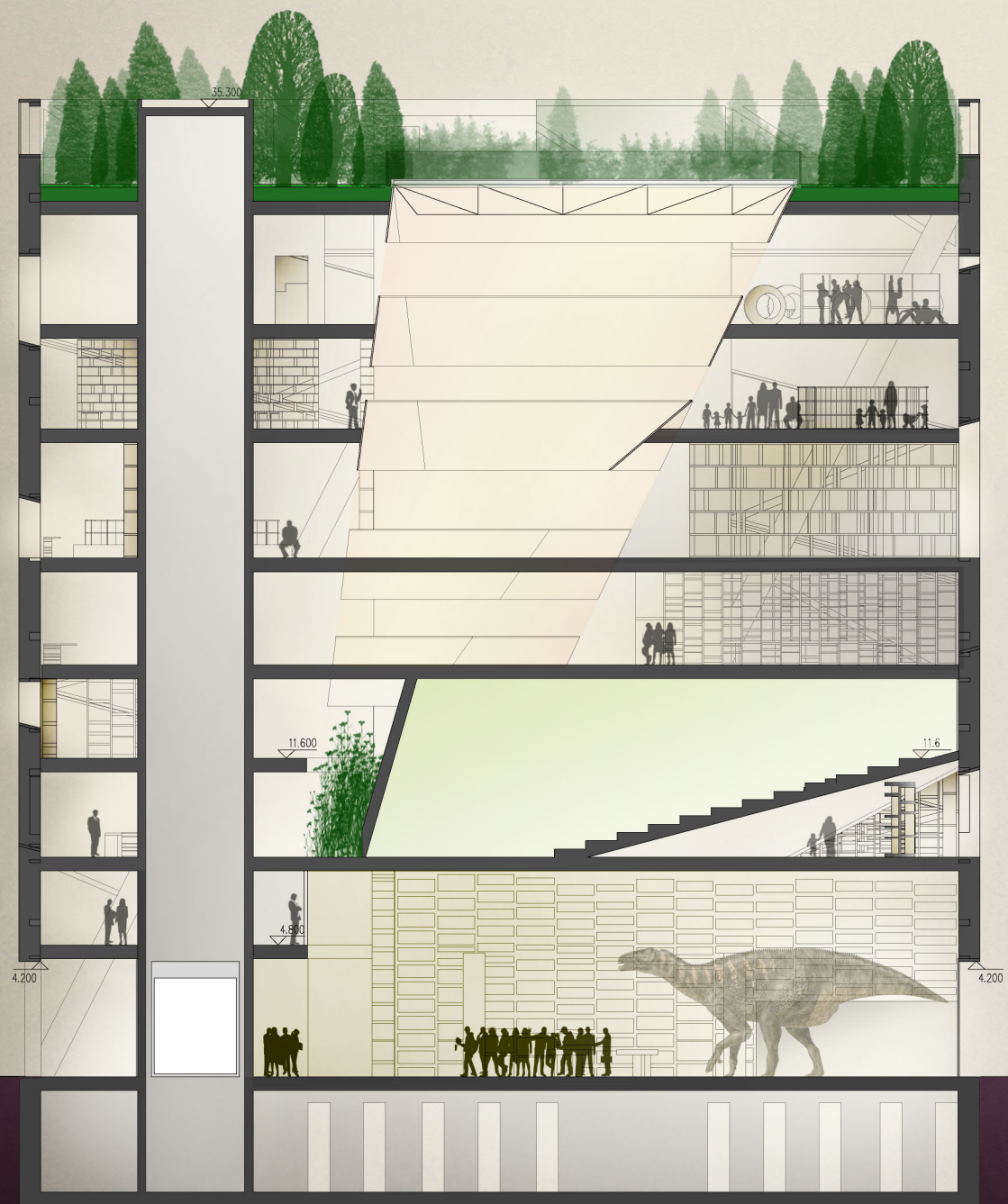
BOOK ARCHIVE
BOOK ARCHIVE



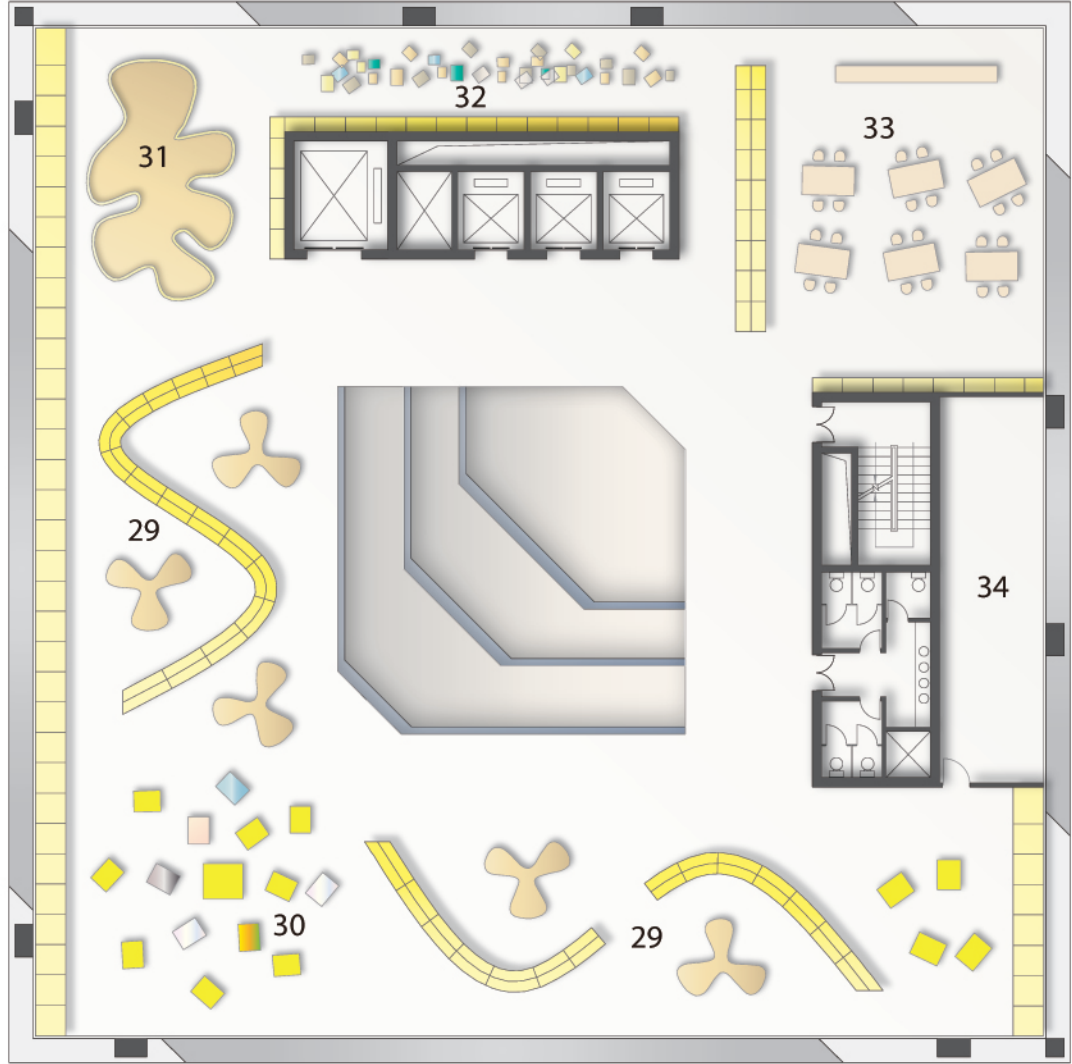
copenhagen waterfront



master plan



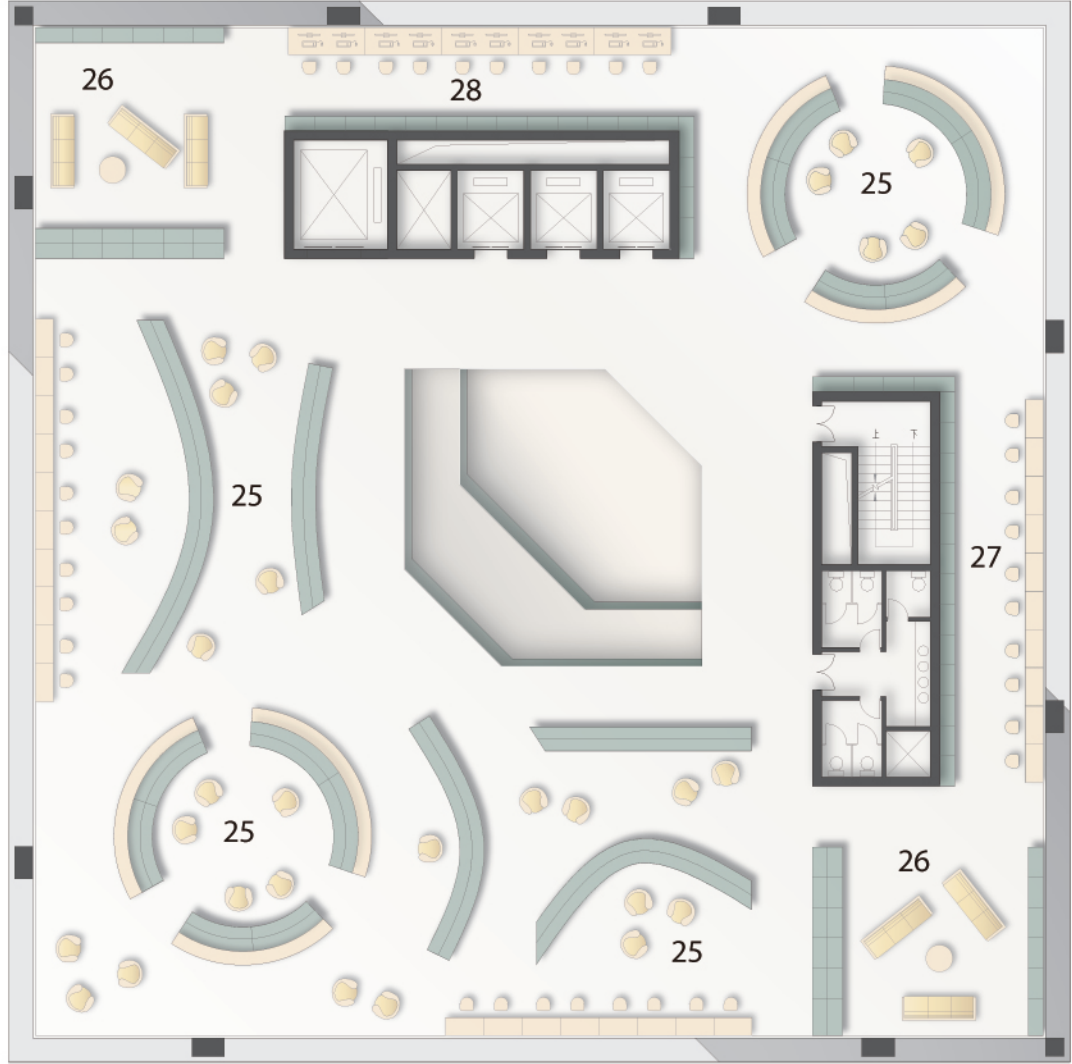
section A-A



- 29. Children's reading area
- 30. Story telling
- 31. Balloon pool
- 32. Toys area
- 33. Maker space
- 34. Storage

6th floor plan

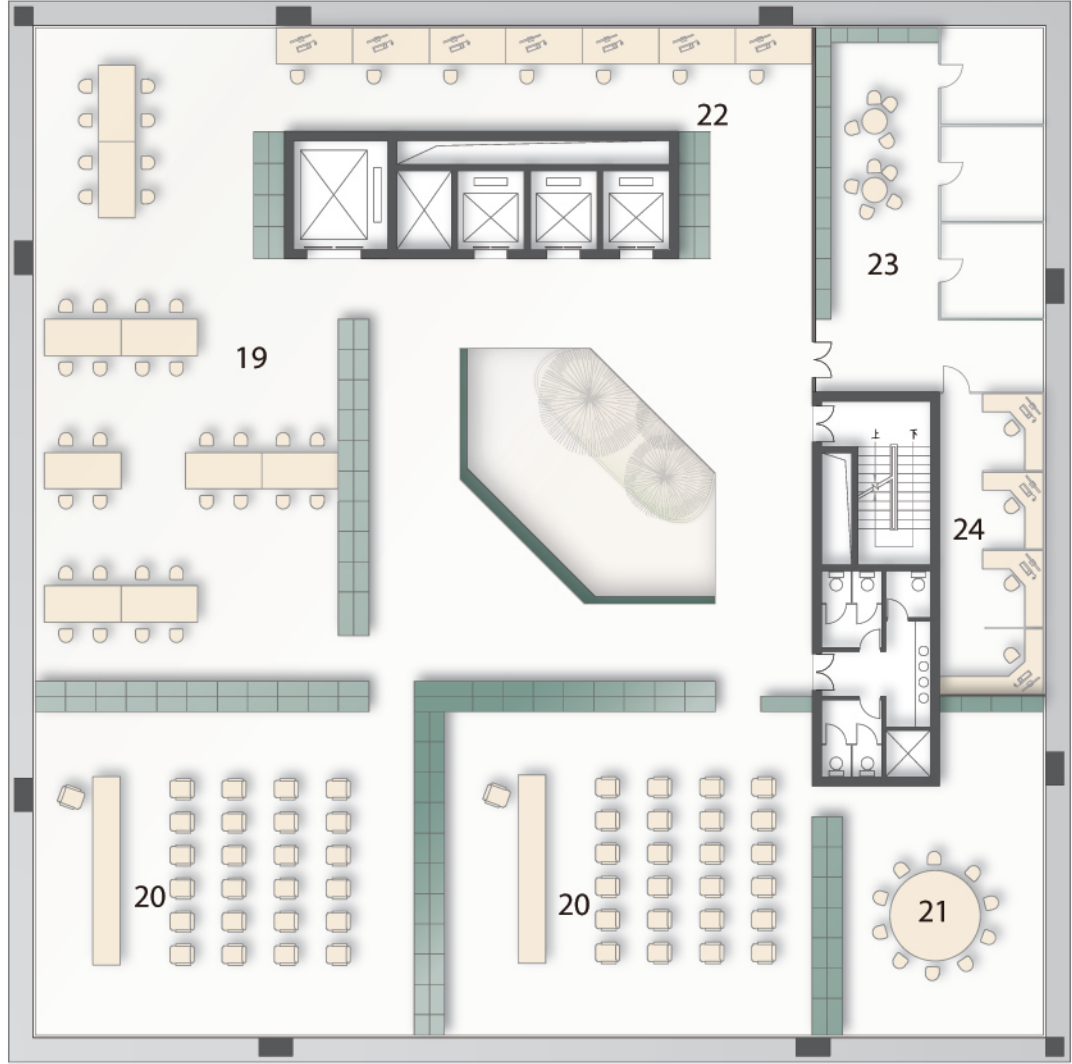




- 25. Reading hall
- 26. Lounge
- 27. Study space
- 28. Computers

5th floor plan





- 19.Makersapce
- 20.Seminar room
- 21.Discussion space
- 22.Computers
- 23.Consultation room
- 24.office room

4th floor plan

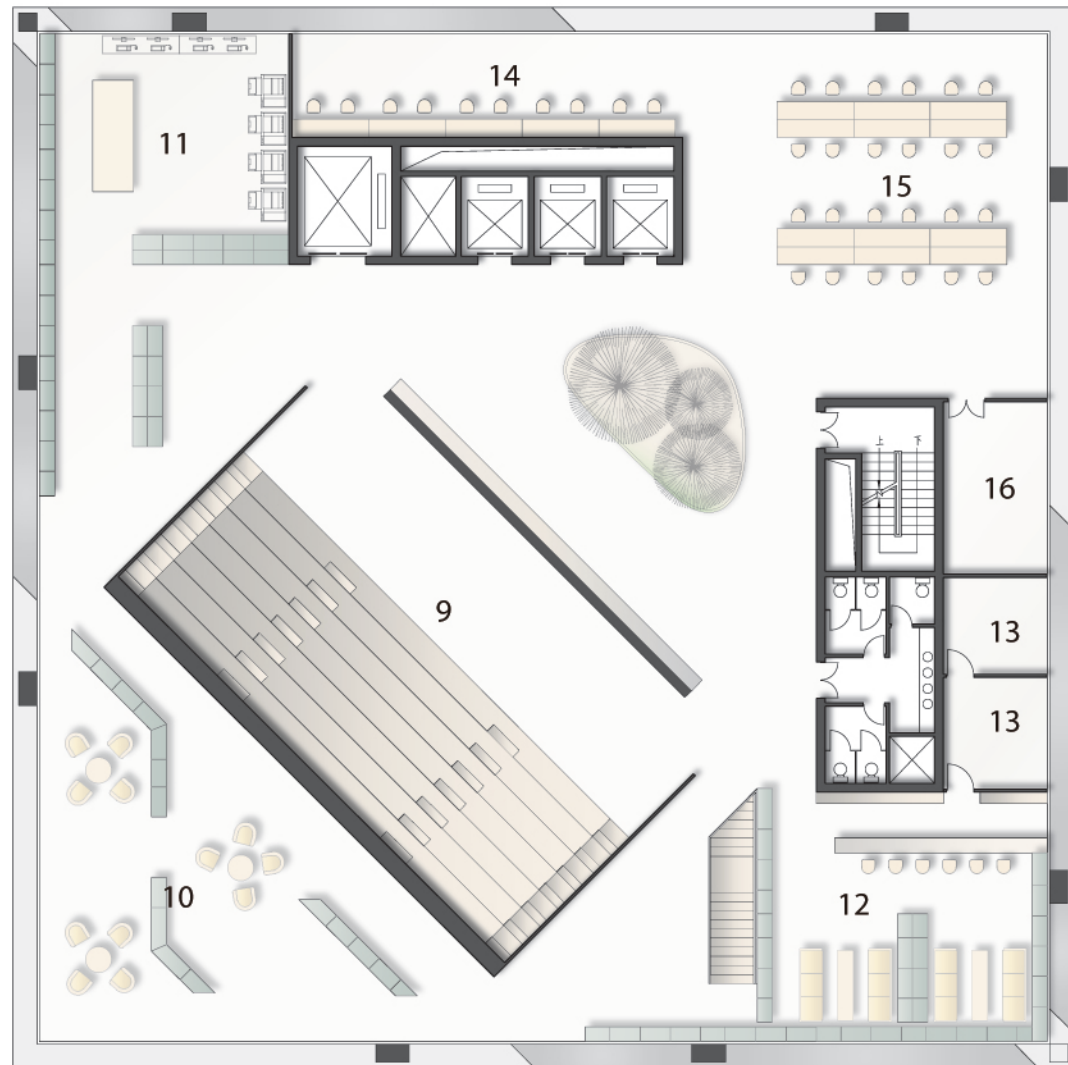


- 9. Auditorium
- 17. study lounge
- 18. private offices



3rd floor plan

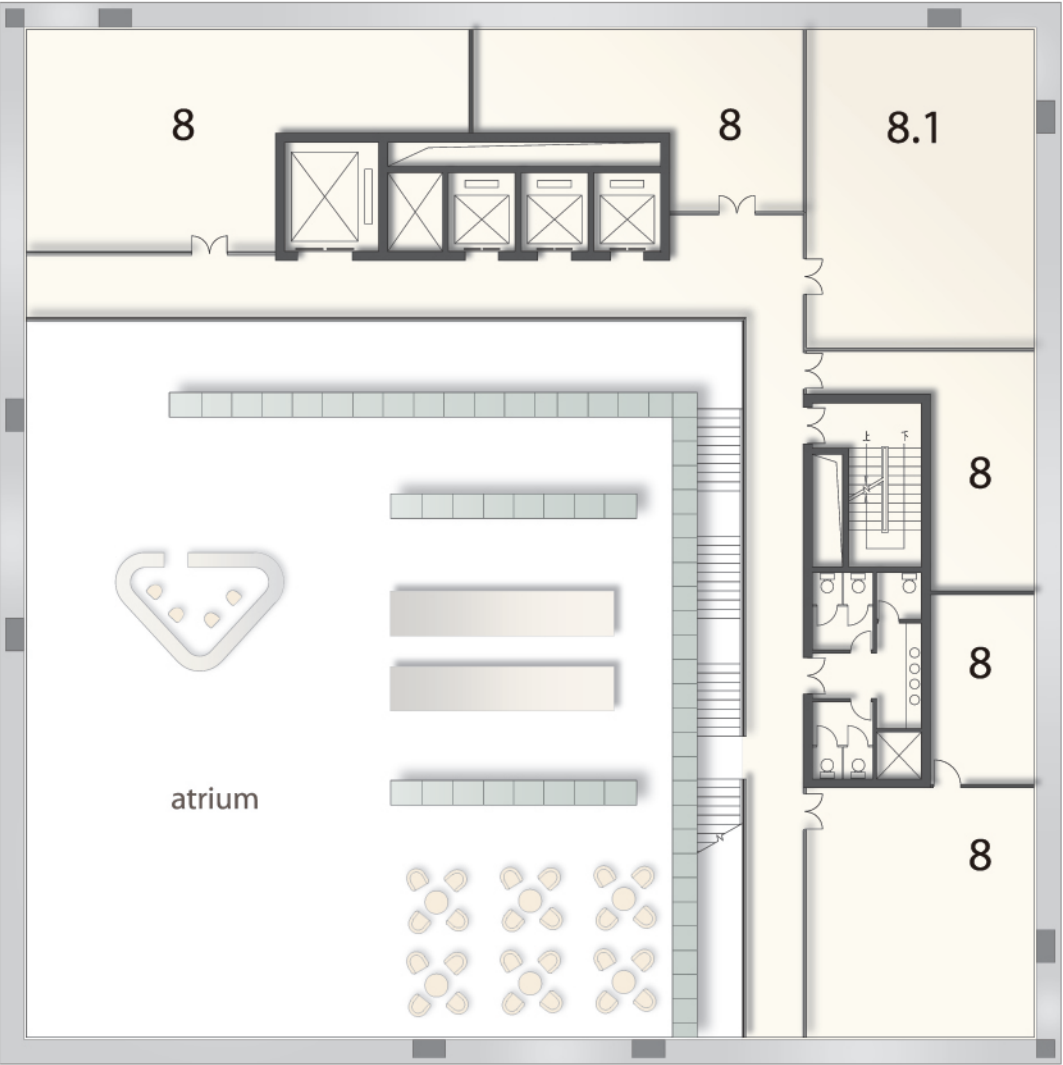




- 9. Auditorium
- 10. Reading lounge
- 11. Printshop
- 12. Bar
- 13. kitchen
- 14. computers
- 15. studio
- 16. office room

second floor plan





8. Staff office
8.1 Meeting room

first floor plan





- 1.Enrrance hall
- 2.Security office
- 3. Info point
- 4.Exhibition hall
- 5.Bookshop
- 6.Cafe
- 7.Lockers room
- 0.bicycle parking area

ground floor plan

