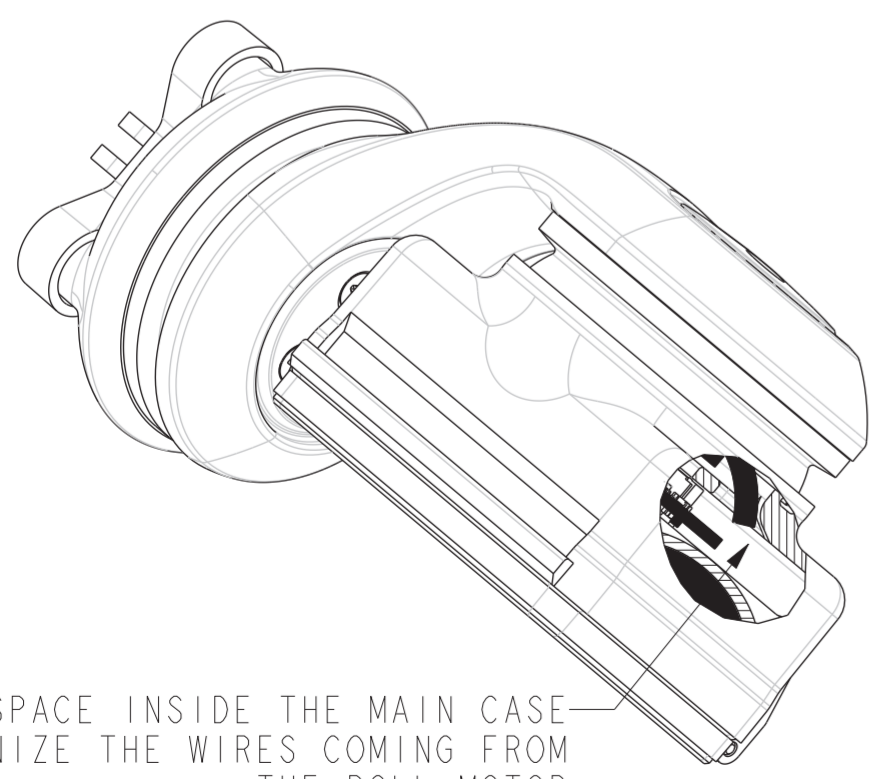
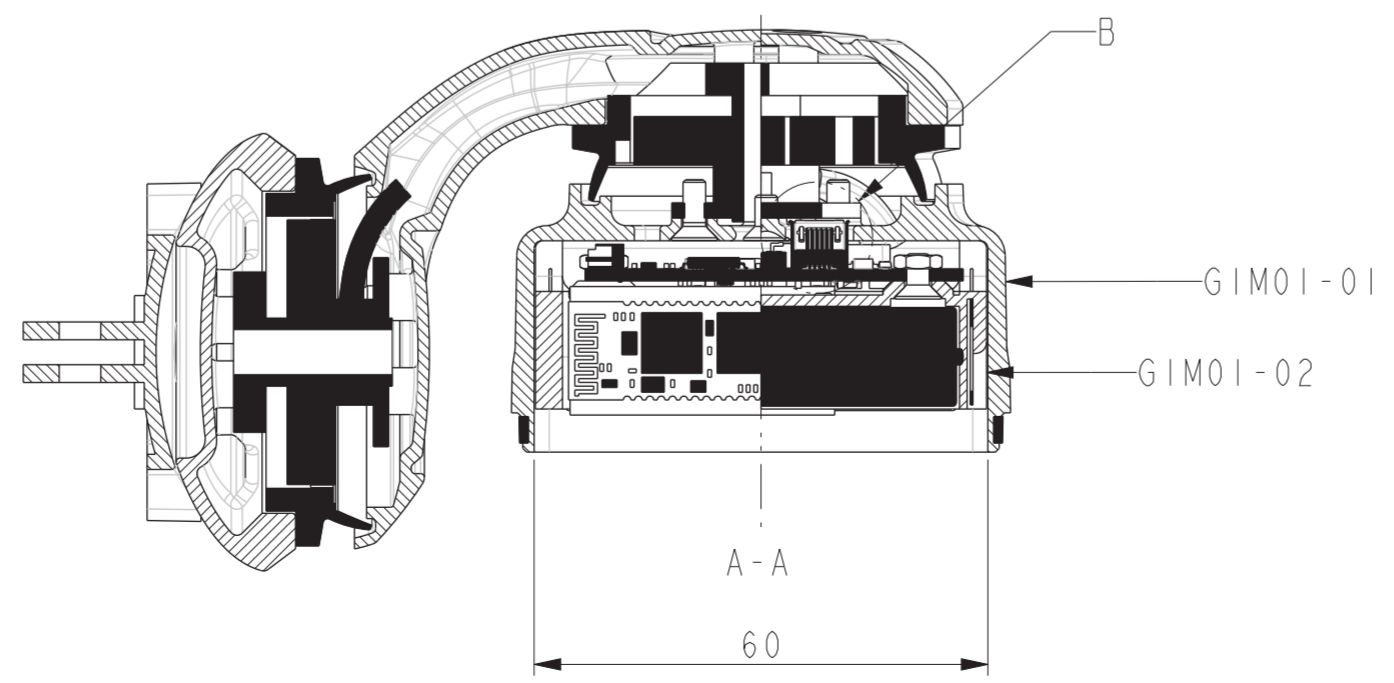
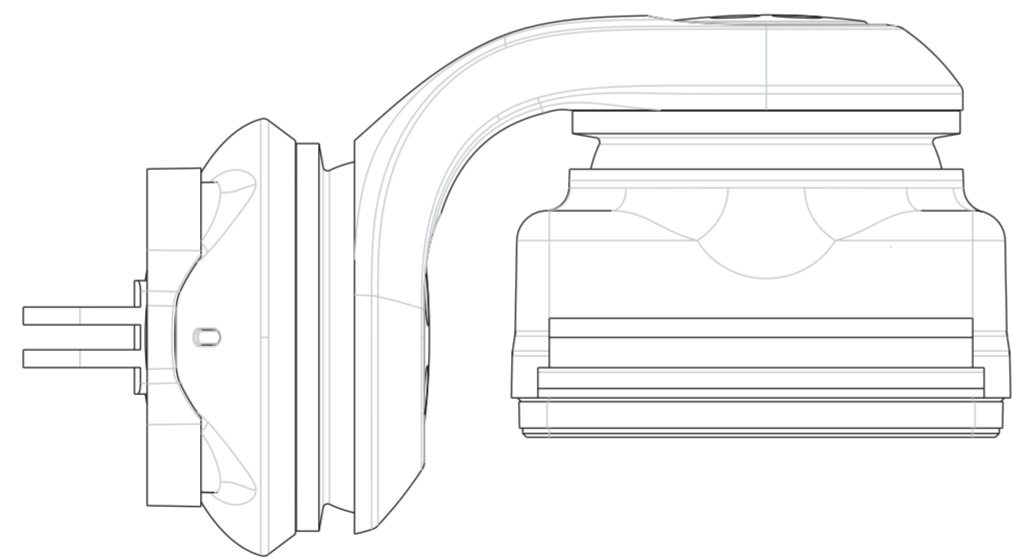
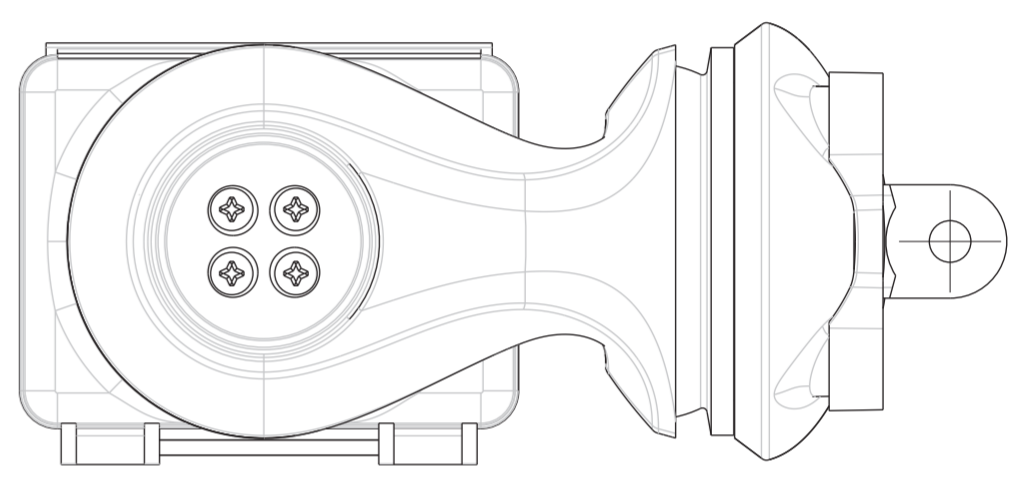
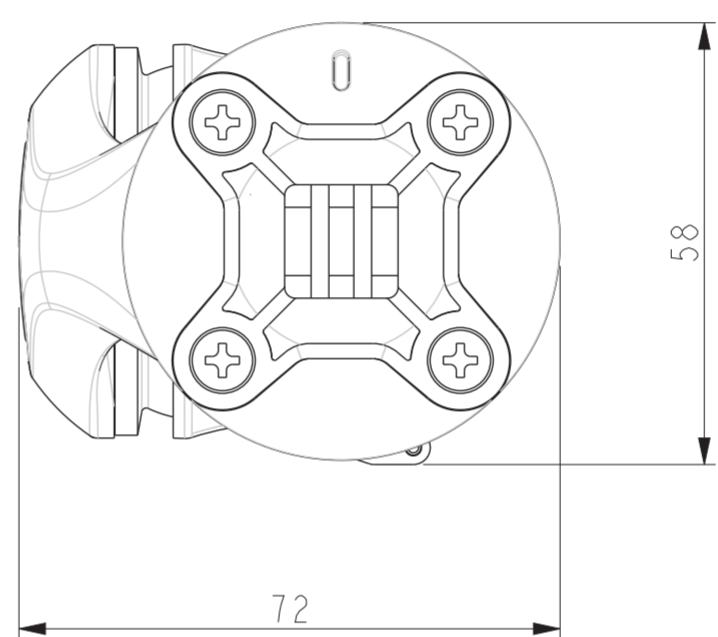
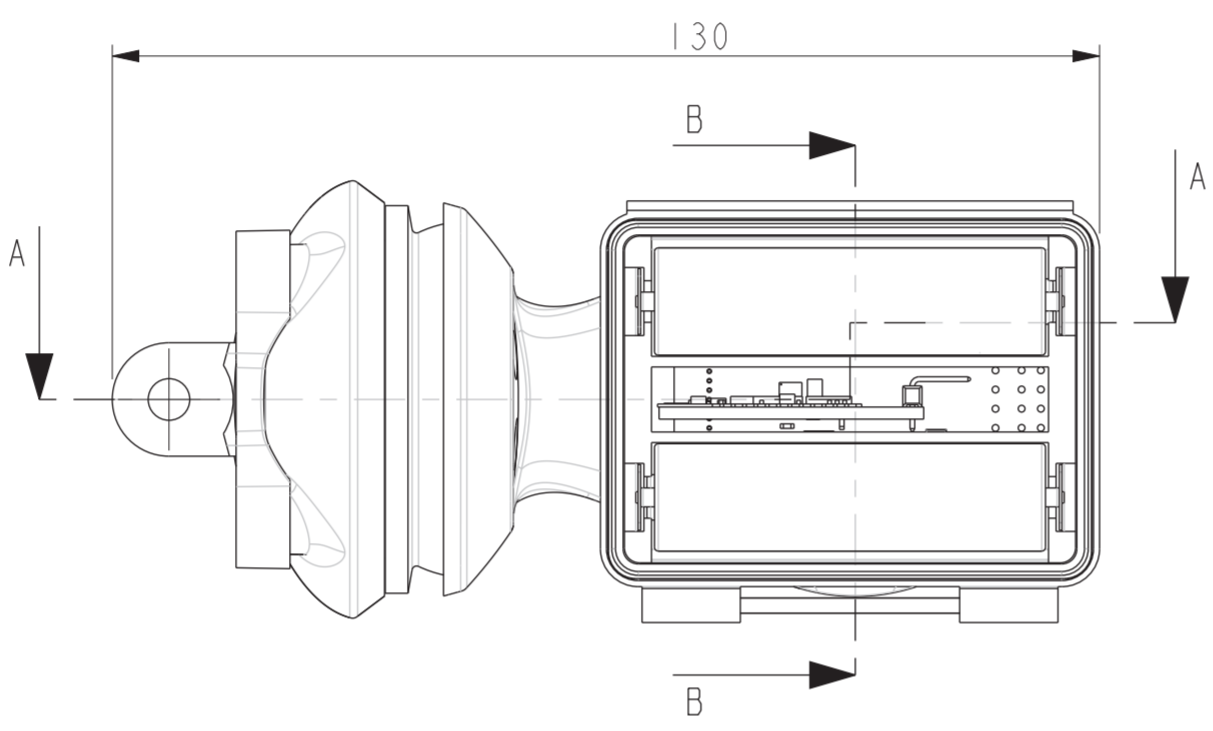
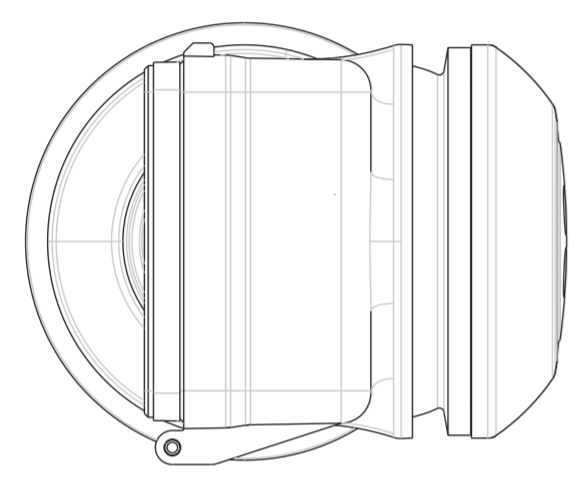
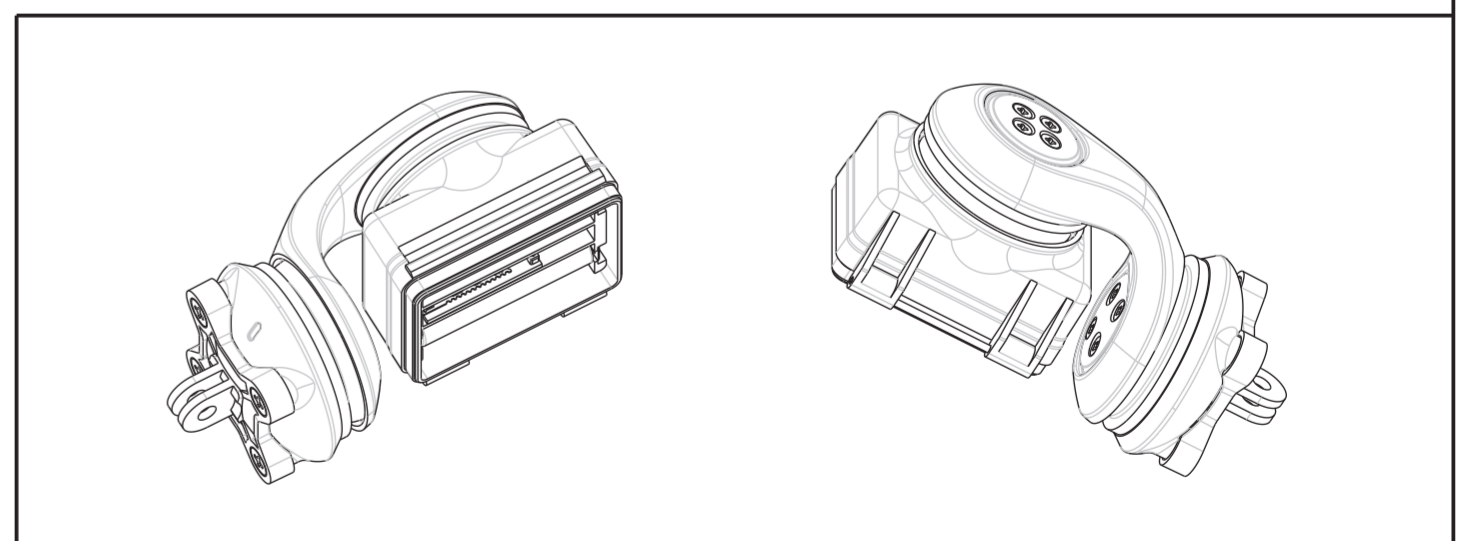


CONTROLLER USB PORT STICKING OUT FROM THE BACK OF THE CASE



THE UNSIGNED PARTS REFER TO THE 3D MODEL



Politecnico di Milano Scuola del Design CdLM in Design & Engineering A.A. 2014/2015 Elaborato di Laurea Magistrale Studente Davide Caprioli (797030) Docente relatore Riccardo Gatti 18/12/2015	POLITECNICO MILANO 1863	
	TITLE: General assembly details PROJECT: 2-Axis GoPro Camera Stabilizer	SHEET 3.1 SCALE 1:1

