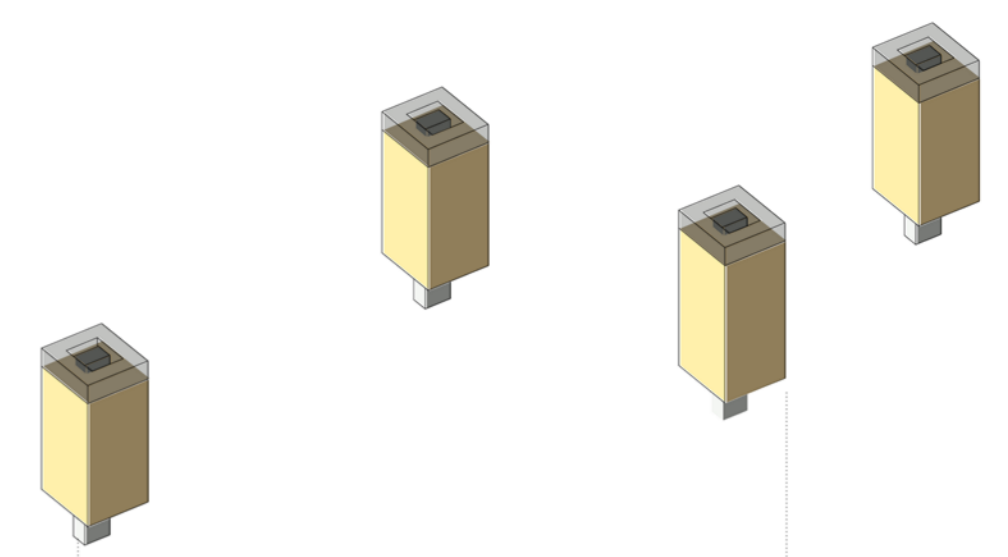
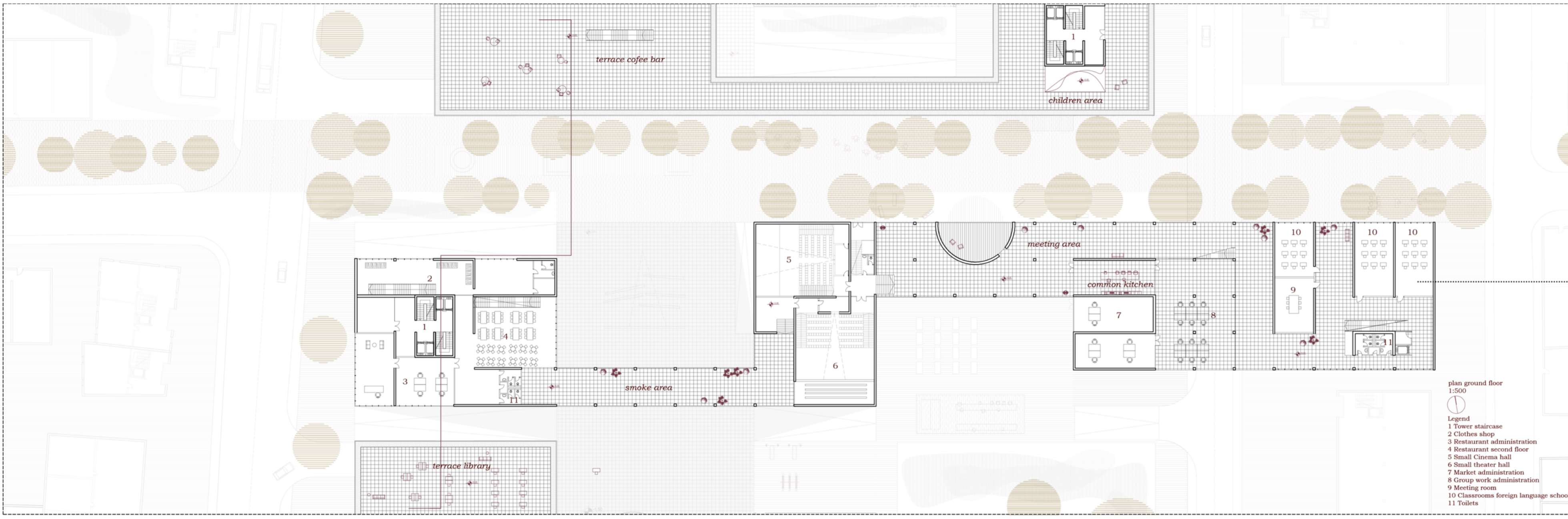


plan second floor  
1:500  
Legend:  
1. Two person apartment  
2. Three person apartment  
3. Couple apartment  
4. One person apartment  
5. Staircase tower

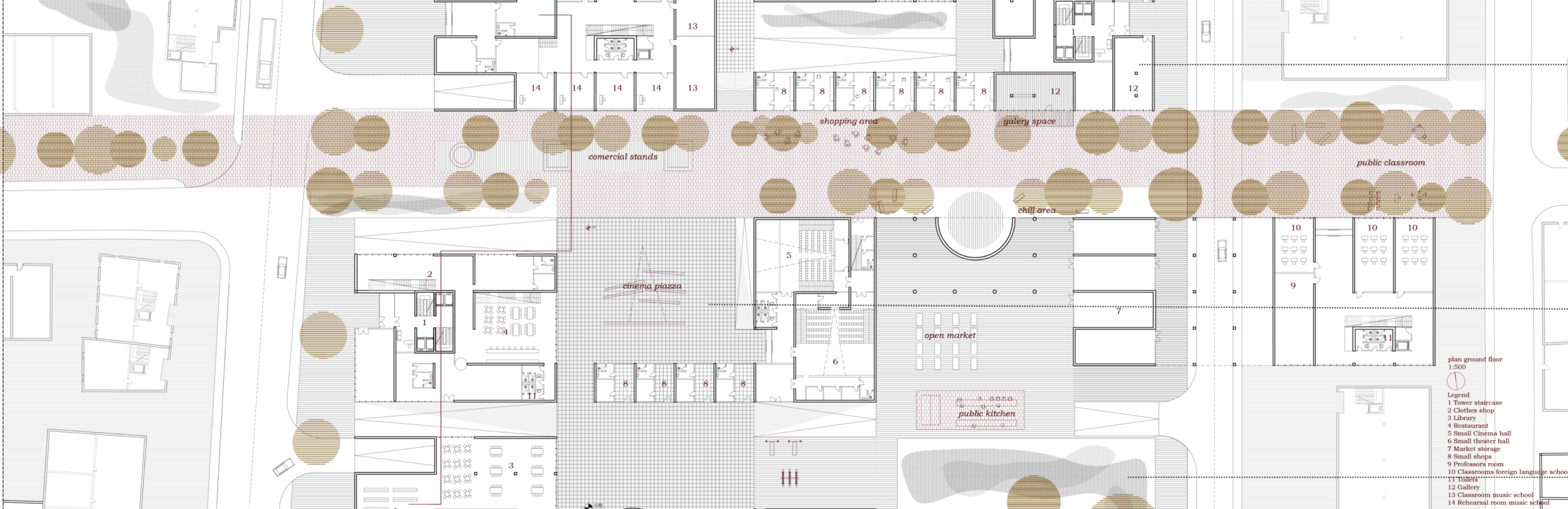


[6] residential towers 24 240 m2



plan ground floor  
1:500  
Legend  
1. Tower staircase  
2. Clothes shop  
3. Restaurant administration  
4. Restaurant second floor  
5. Small Cinema hall  
6. Small theater hall  
7. Market administration  
8. Group work administration  
9. Meeting room  
10. Classrooms foreign language school  
11. Toilets

[5] residential perimeters 22 666 m2



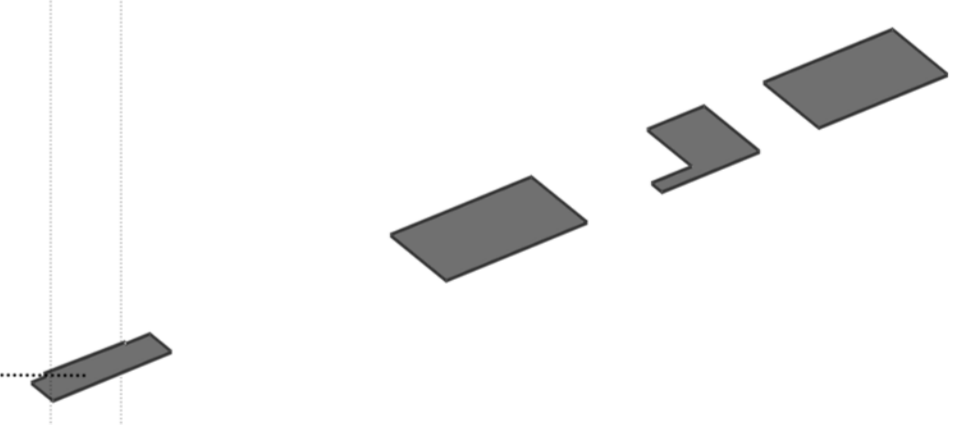
plan ground floor  
1:500  
Legend  
1. Tower staircase  
2. Clothes shop  
3. Library  
4. Restaurant  
5. Small Cinema hall  
6. Small theater hall  
7. Market storage  
8. Small shops  
9. Professors room  
10. Classrooms foreign language school  
11. Toilets  
12. Gallery  
13. Classroom music school  
14. Rehearsal room music school

[4] buildings with public and commercial activities 33 097 m2

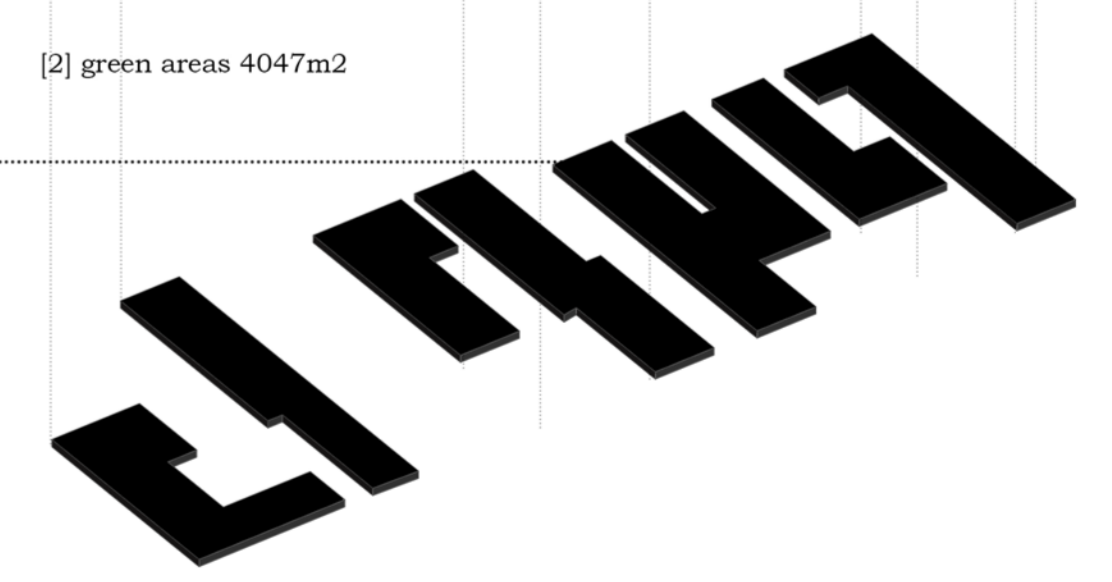


plan parking  
1:500  
Legend  
1. Technical rooms  
2. Parking area  
3. Staircase towers

[2] green areas 4047m2



[3] public space for residents 5660 m2  
depressed for 1,5m from street level



[1] underground parking 40445 m2