
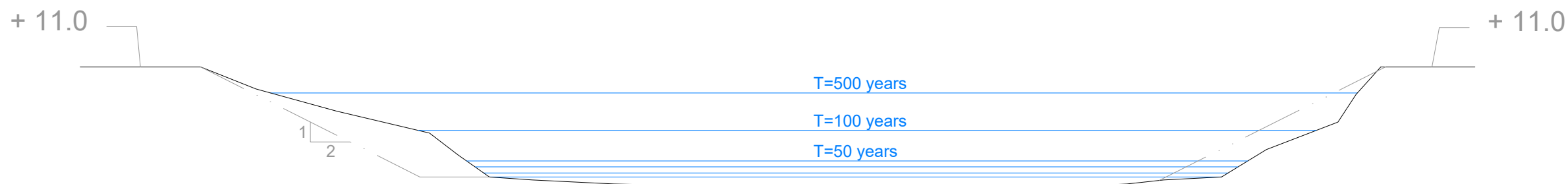
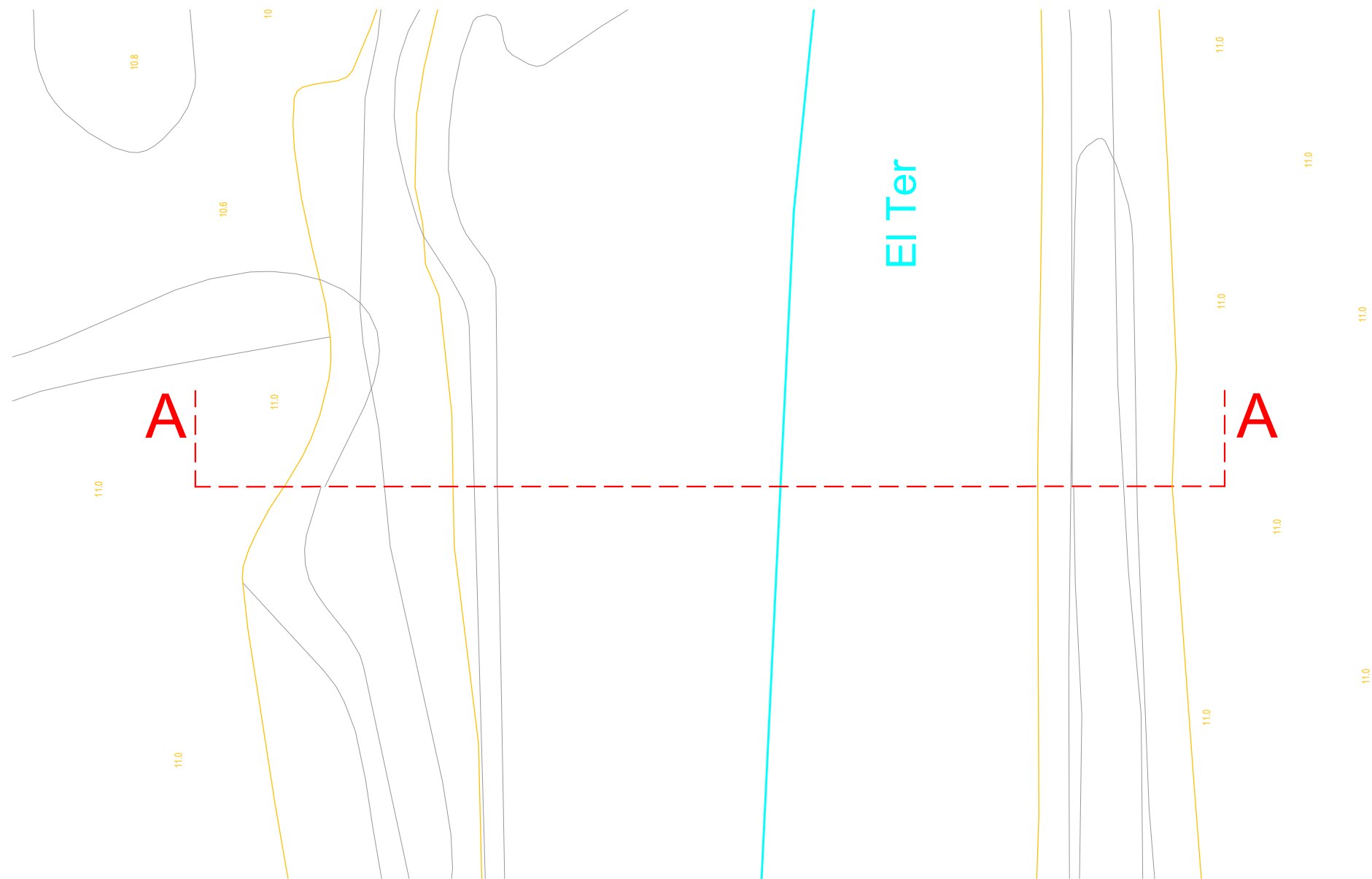



N° of the drawing	Title of the drawing
Location	
1	Bridge location - Cartography (1:15000)
2	Bridge location - Cartography (1:10000)
Topography	
3 - A	Bridge location - Topography section
3 - B	Bridge location - Topography
Bridge - General definition	
4 - A	Definitive bridge - Lateral and up view
4 - B	Cables' details
5	Girder section - Completed
Bridge - Details	
6 - A	Girder section - Reinforcement bars
6 - B	Girder section - Steel components
6 - C	Girder section - Exploded
6 - D	Girder section - Anchoring detail
Abutments and support details	
7 - A	Abutment (support) - Transversal section
7 - B	Abutment (support) - Longitudinal section
7 - C	Abutment (support) - Details

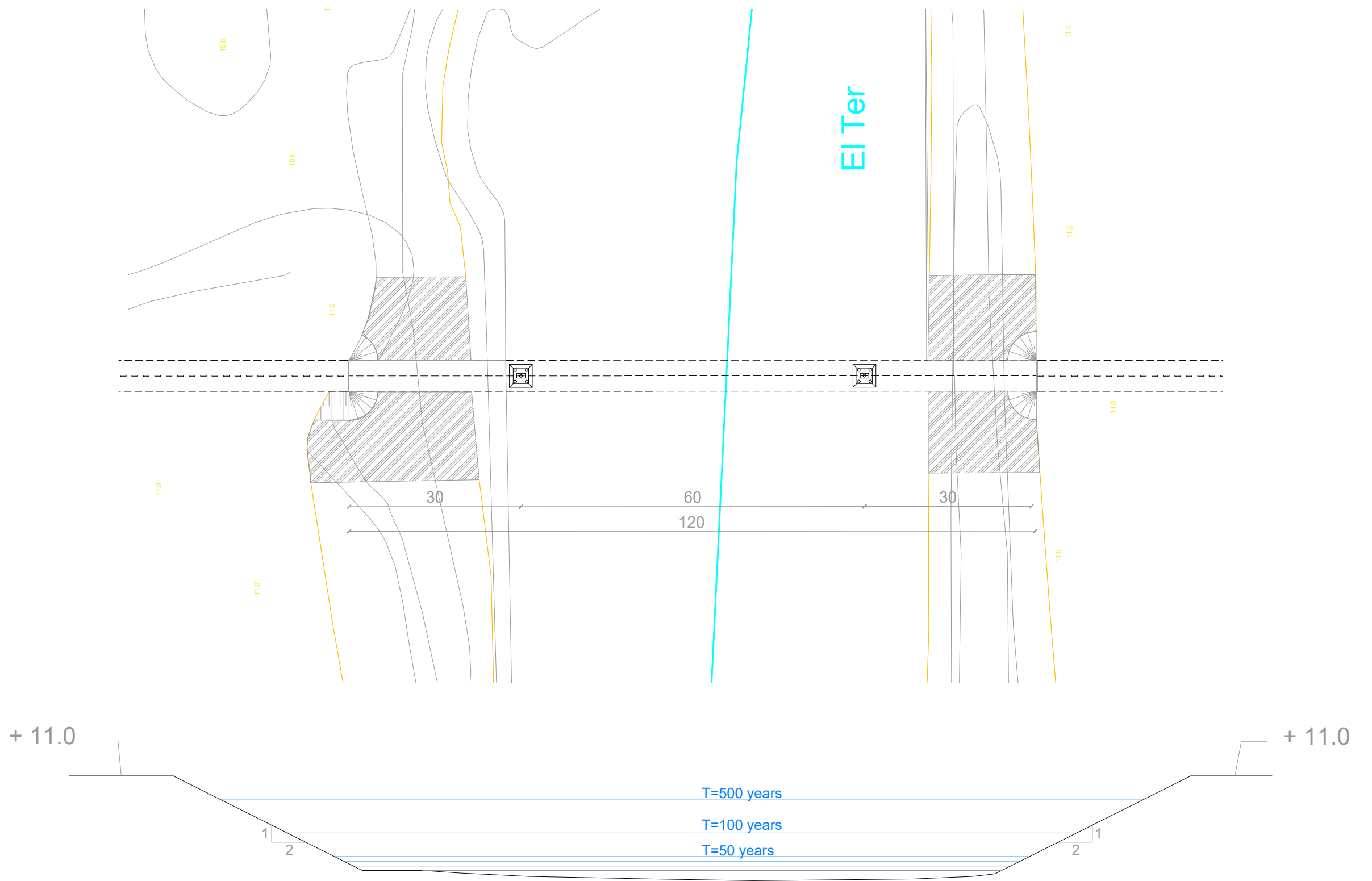
N° of the drawing	Title of the drawing
Foundations	
8	Foundations sections
Pylons	
9 - A	Pylons - sections
9 - B	Pylons - Bottom part
9 - C	Pylons - Above part
9 - D	Pylons - Details
Joint	
10 - A	Joint - Sections
10 - B	Joint - Constructive process
10 - C	Joint - Special elements
Constructive process	
11 - A	Constructive process (I - II - III)
11 - B	Constructive process (IV - V - VI)
Proposed alternatives	
12 - A	Arch alternative
12 - B	Cable-stayed alternative
12 - C	Girder sections


 UNIVERSITAT POLITÈCNICA DE CATALUNYA BARCELONATECH	Designer	Director	Project name	scale	Drawing n°	Drawing's name	Date
		Stefano Gabrieli	Joan Ramon Casas Rius	Paserela sobre el rio Ter, Torroella de Montgri	[-]	[-]	Drawings' Index

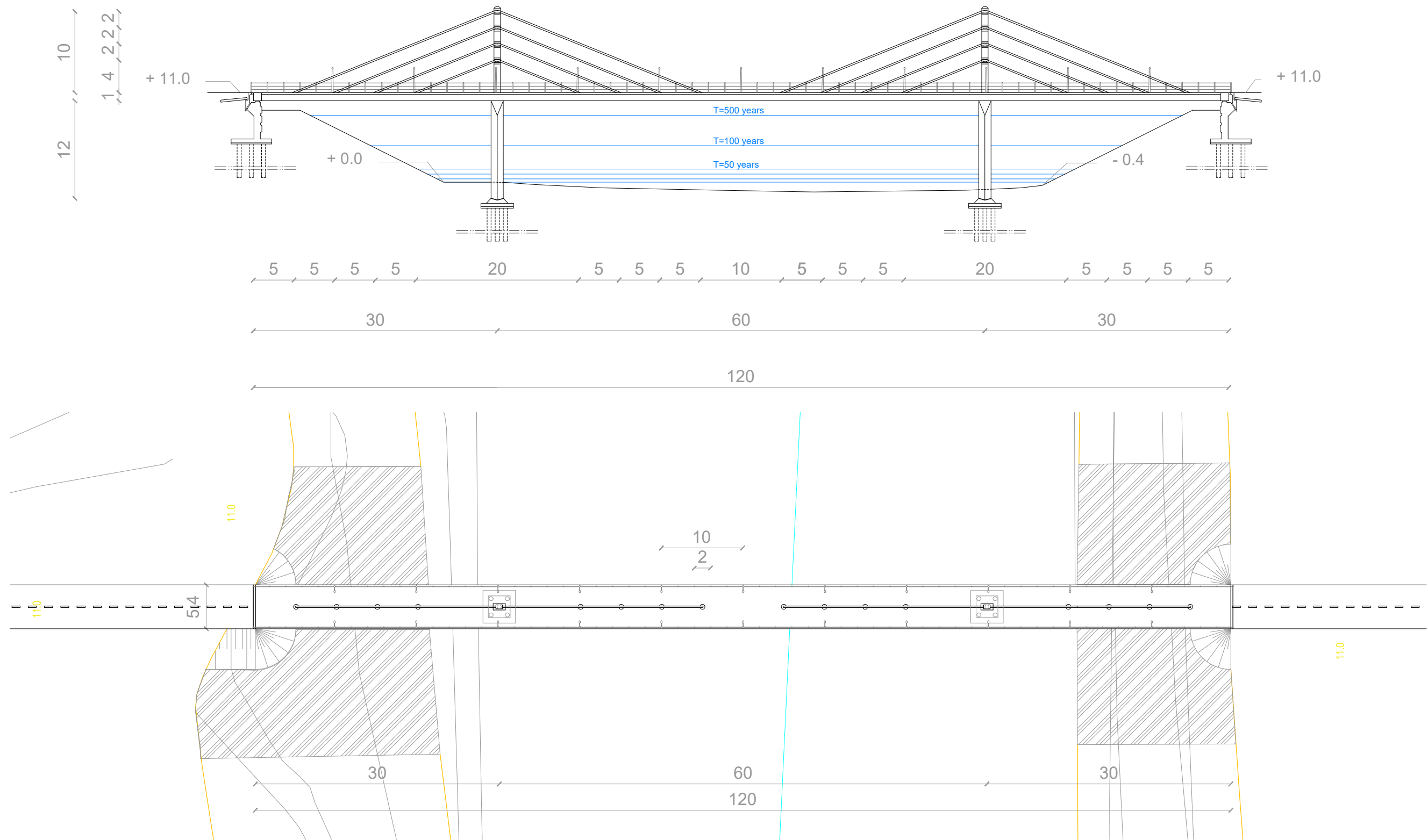



Section A - A

 UNIVERSITAT POLITÈCNICA DE CATALUNYA BARCELONATECH	Designer	Director	Project name	scale	Drawing n°	Drawing's name	Date
	Stefano Gabrieli	Joan Ramon Casas Rius	Paserela sobre el rio Ter, Torroella de Montgri	1:750 1:500	3 - A	Bridge location - Topography	14/06/2018



 UNIVERSITAT POLITÈCNICA DE CATALUNYA BARCELONATECH	Designer	Director	Project name	scale	Drawing n°	Drawing's name	Date
	Stefano Gabrieli	Joan Ramon Casas Rius	Paserela sobre el rio Ter, Torroella de Montgri	1:750 1:500	3 - B	Bridge location - Topography	14/06/2018



 UNIVERSITAT POLITÈCNICA DE CATALUNYA BARCELONATECH	Designer	Director	Project name	scale	Drawing n°	Drawing's name	Date
	Stefano Gabrieli	Joan Ramon Casas Rius	Paserela sobre el rio Ter, Torroella de Montgri	1:500	4 - A	Definitive bridge - Lateral and up view	14/06/2018

High-tensile prestressing steels as main tensile elements (according to prEN 10138 Parts 1-4, NF A 35-035, ASTM 416M

Standardized structural steels used for anchorage and saddle components (according to EN 10025, EN 10083)

Cable 1

N° of tendos = 106
 Effective area = 15900 mm²
 Length = 26.95 m
 Tyk = 2014 kN
 Applied tension = 690.3 kN

Cable 2

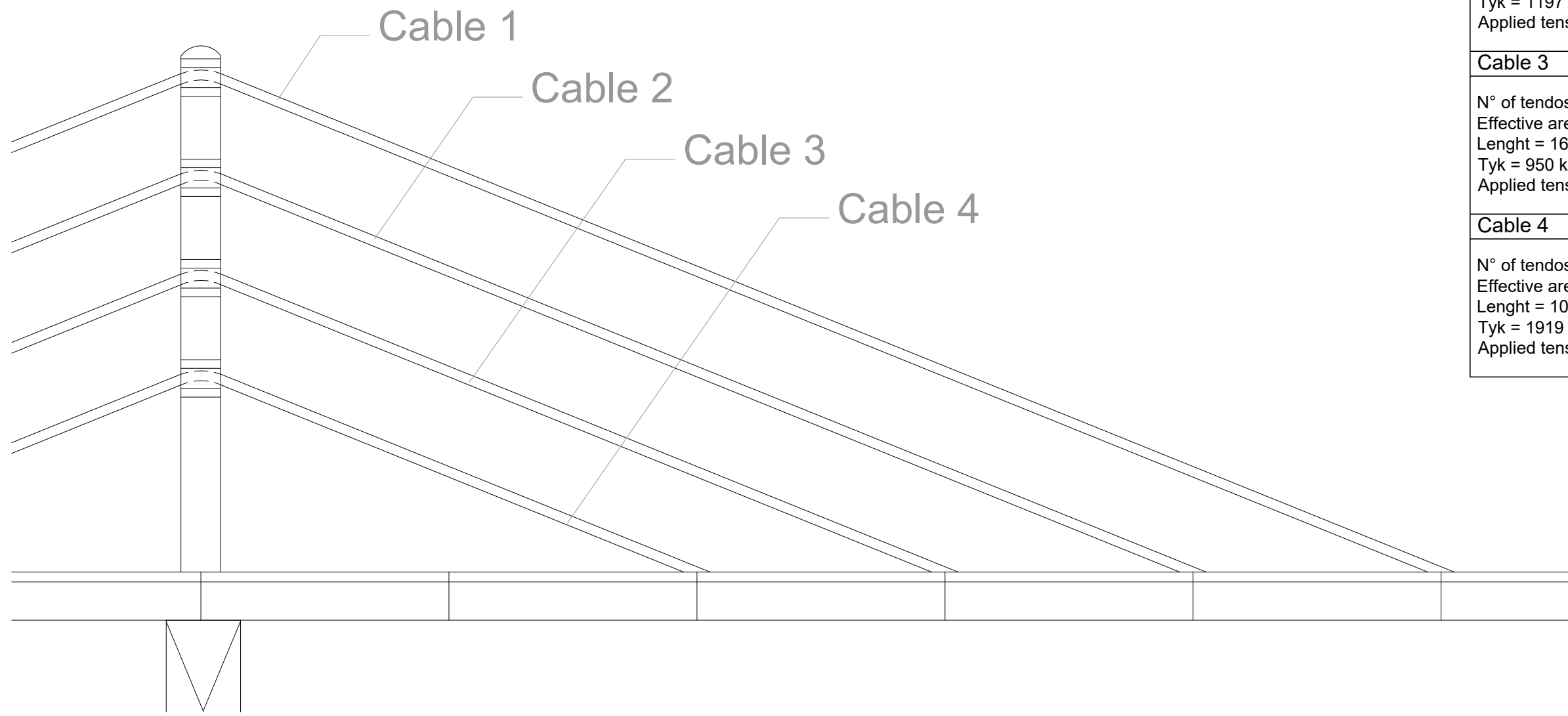
N° of tendos = 63
 Effective area = 9450 mm²
 Length = 21.57 m
 Tyk = 1197 kN
 Applied tension = 412.5 kN


Cable 3

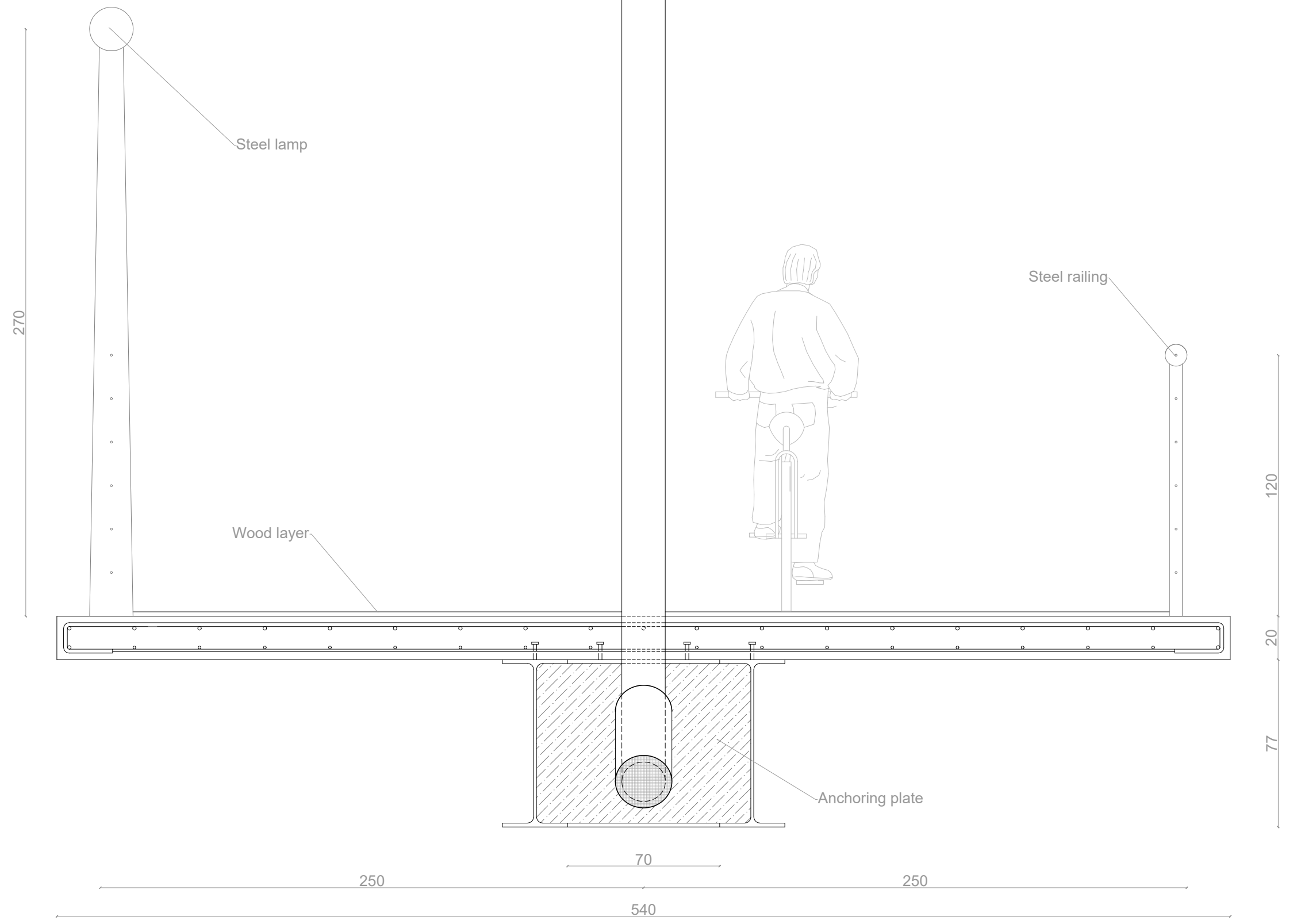
N° of tendos = 50
 Effective area = 7500 mm²
 Length = 16.59 m
 Tyk = 950 kN
 Applied tension = 325.9 kN

Cable 4


N° of tendos = 101
 Effective area = 15150 mm²
 Length = 10.80 m
 Tyk = 1919 kN
 Applied tension = 662.1 kN

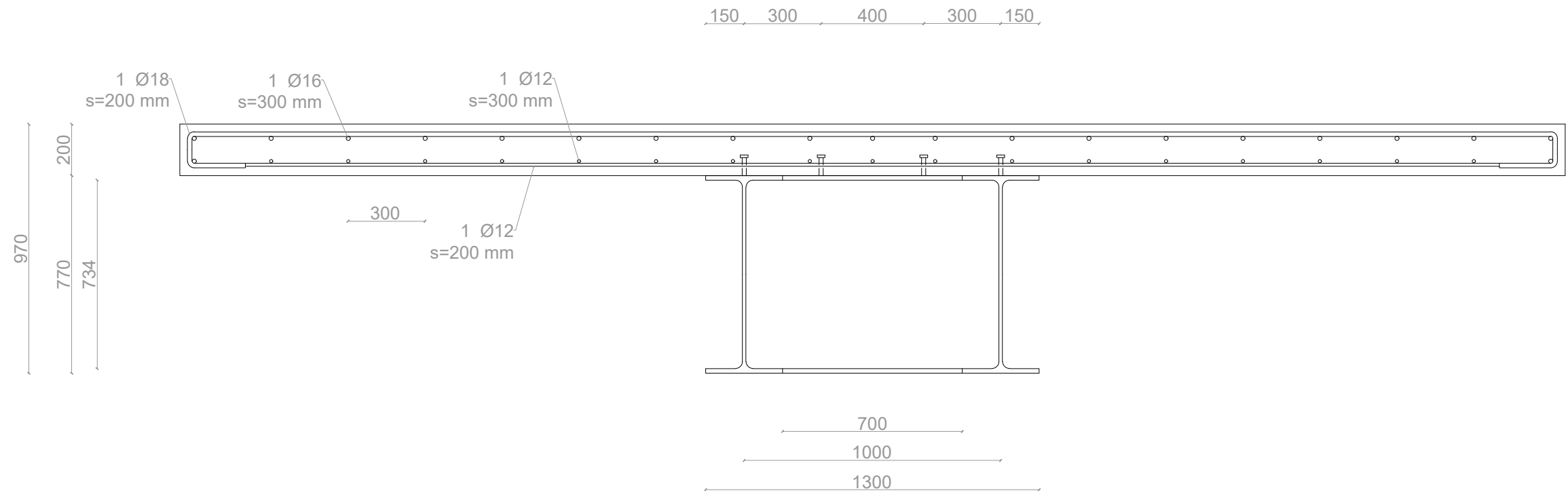
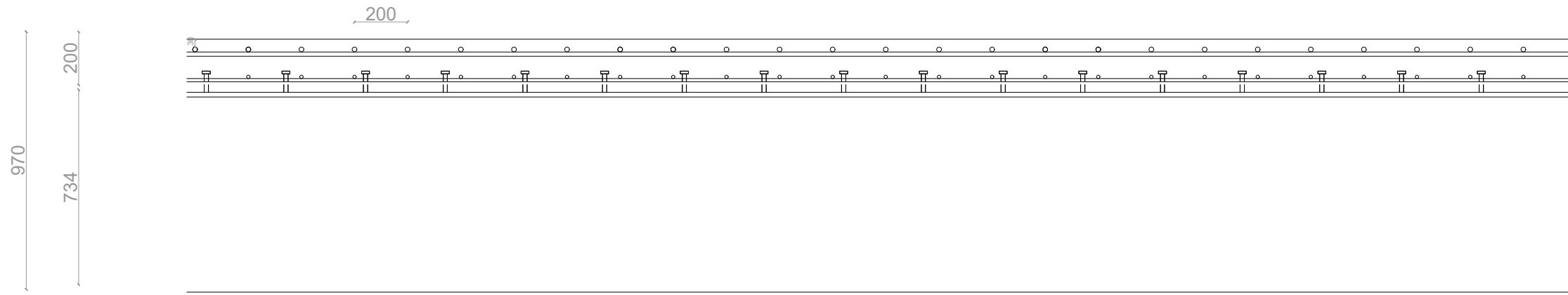


 UNIVERSITAT POLITÈCNICA DE CATALUNYA BARCELONATECH	Designer	Director	Project name	scale	Drawing n°	Drawing's name	Date
	Stefano Gabrieli	Joan Ramon Casas Rius	Paserela sobre el rio Ter, Torroella de Montgri	1:100	4 - B	Cables' details	14/06/2018




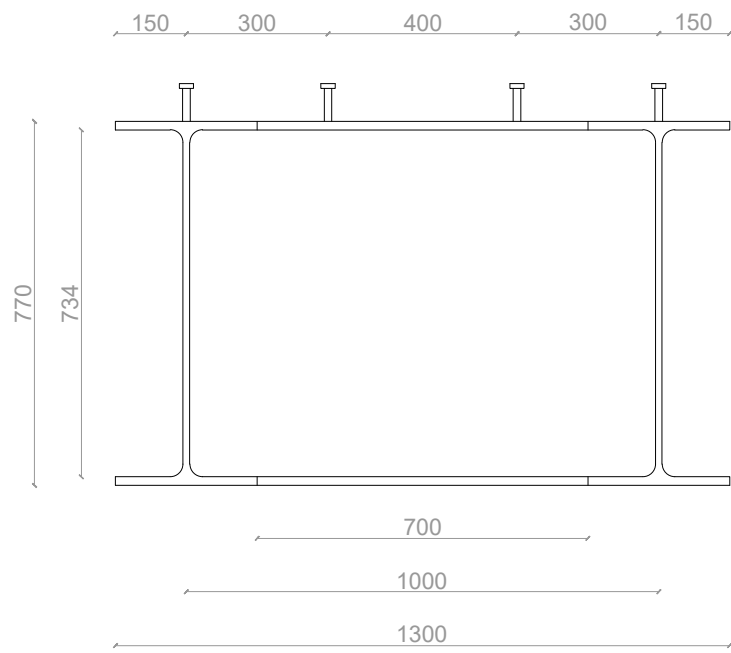
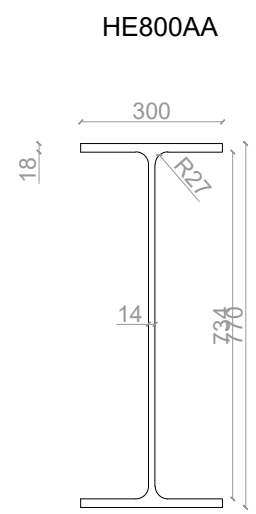
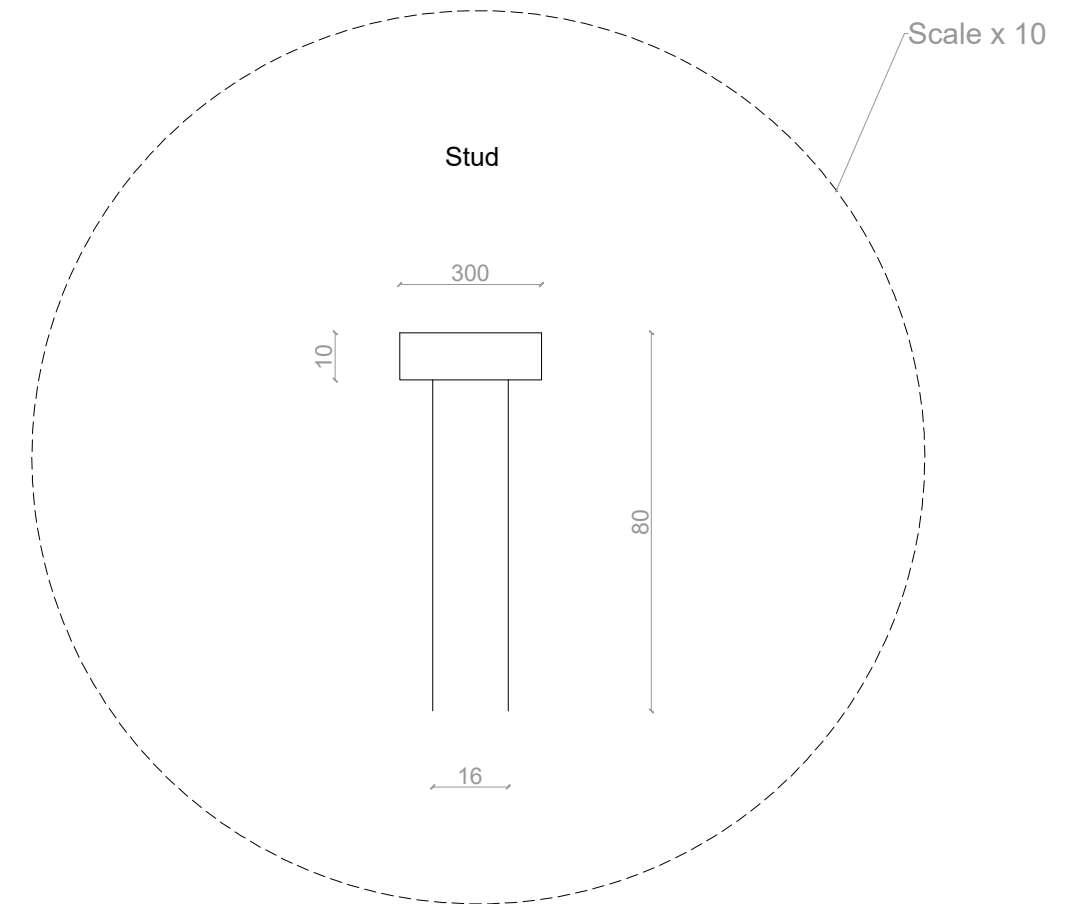
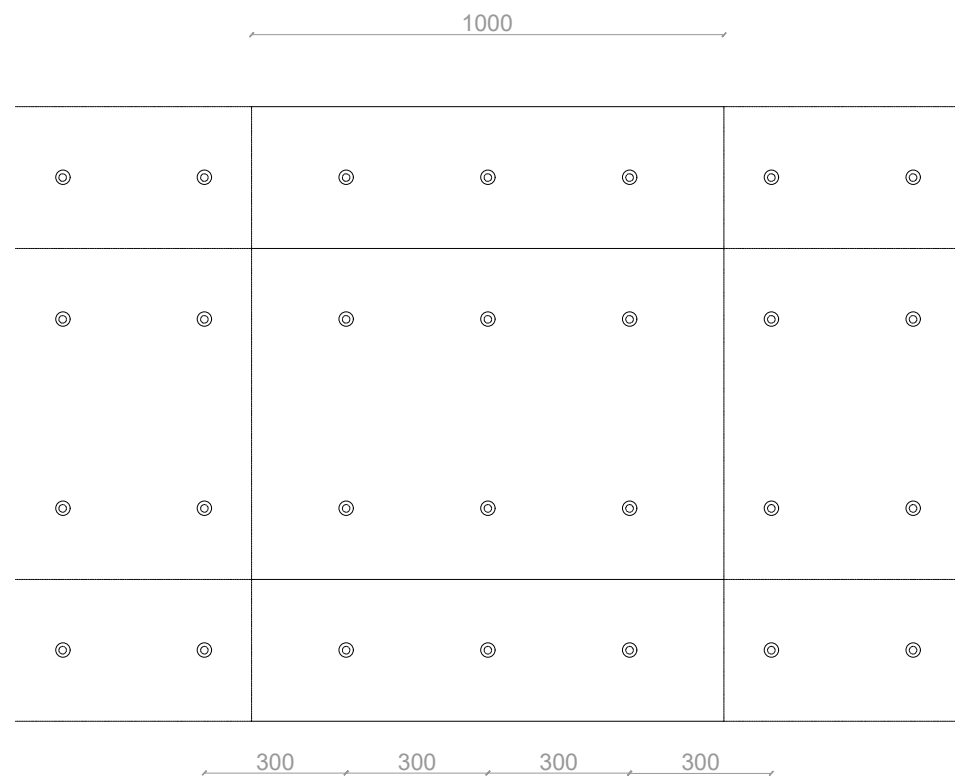
Steel
S355
HE800A
Concrete
C40/45
Reinforcement
B450C

 UNIVERSITAT POLITÈCNICA DE CATALUNYA BARCELONATECH	Designer	Director	Project name	scale	Drawing n°	Drawing's name	Date
	Stefano Gabrieli	Joan Ramon Casas Rius	Paserela sobre el rio Ter, Torroella de Montgri	1:20	5	Girder section - Completed section	14/06/2018




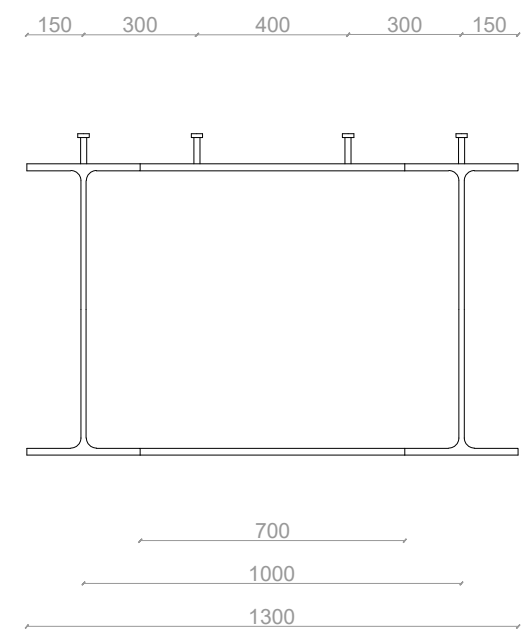
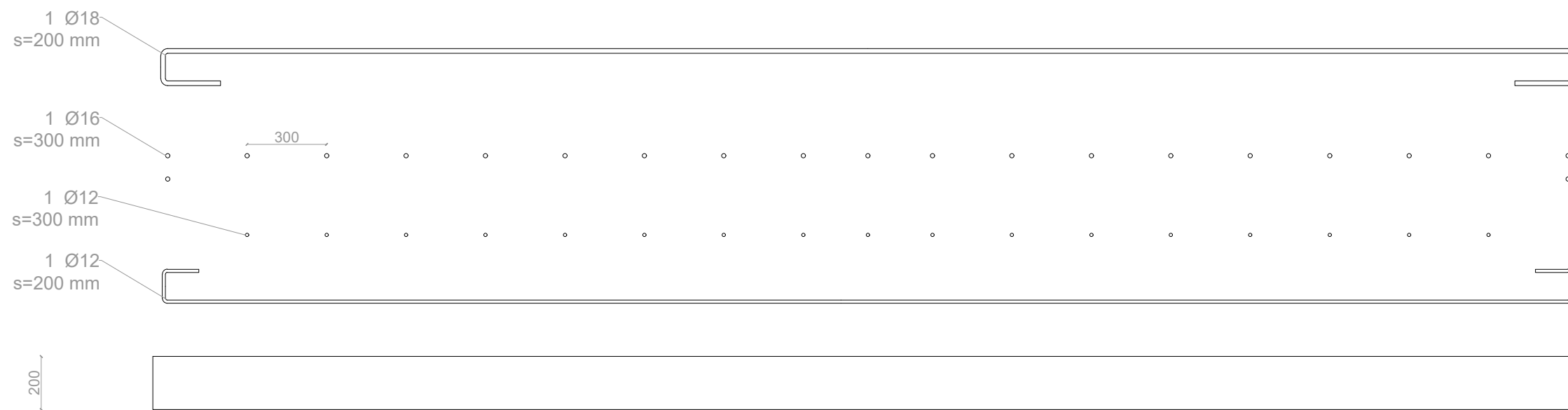
Steel
S355
HE800A
Concrete
C40/45
Reinforcement
B450C

 UNIVERSITAT POLITÈCNICA DE CATALUNYA BARCELONATECH	Designer	Director	Project name	scale	Drawing n°	Drawing's name	Date
	Stefano Gabrieli	Joan Ramon Casas Rius	Paserela sobre el rio Ter, Torroella de Montgri	1:20	6 - A	Girder section	14/06/2018




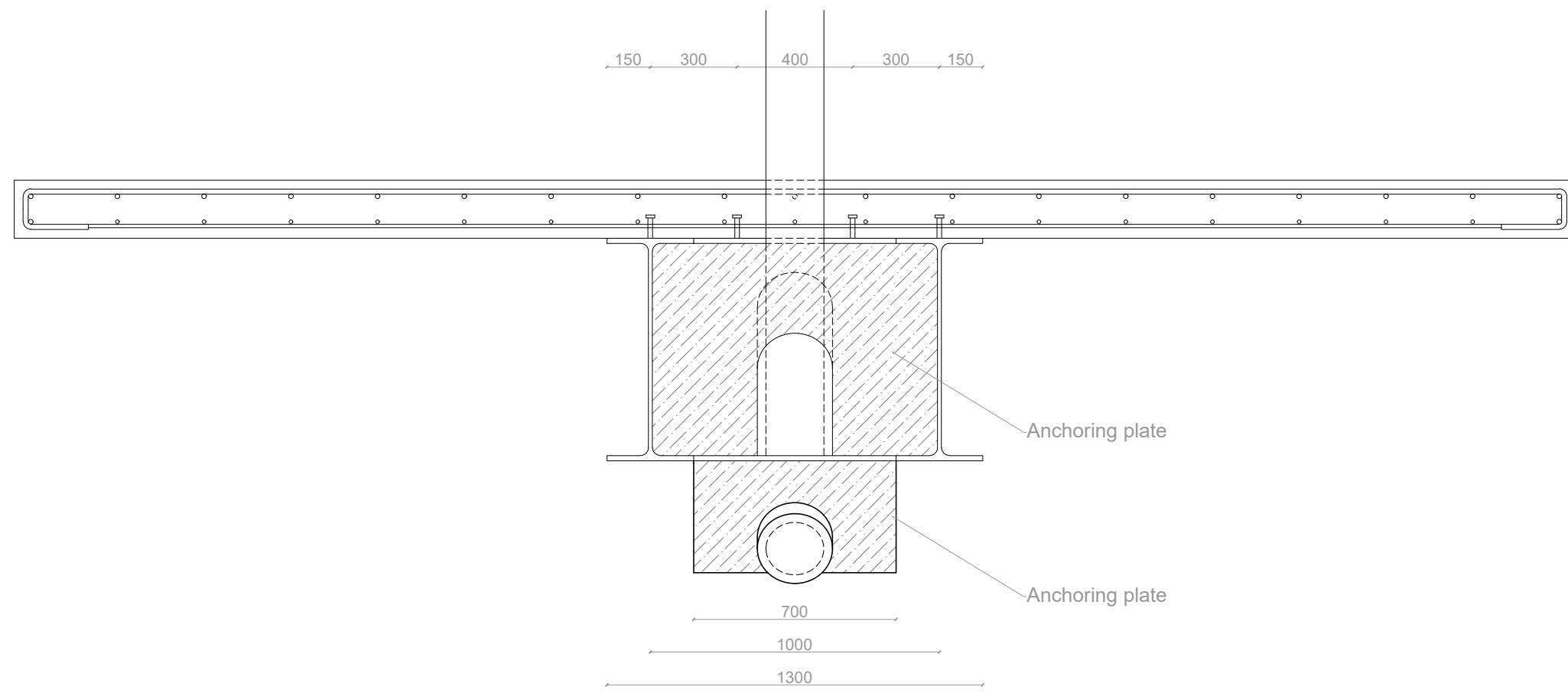
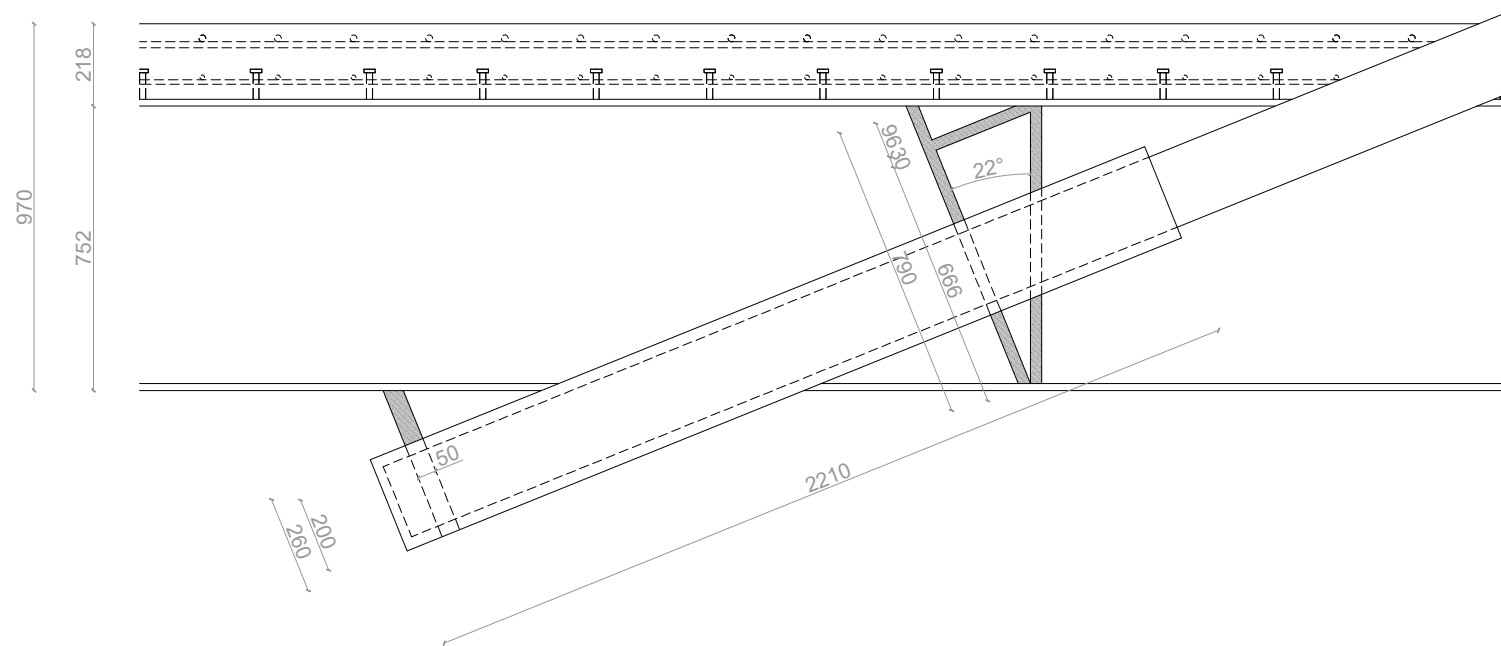
Steel
S355
HE800A
Concrete
C40/45
Reinforcement
B450C

 UNIVERSITAT POLITÈCNICA DE CATALUNYA BARCELONATECH	Designer	Director	Project name	scale	Drawing n°	Drawing's name	Date
	Stefano Gabrieli	Joan Ramon Casas Rius	Paserela sobre el rio Ter, Torroella de Montgri	1:16	6 - B	Girder section - Steel components	14/06/2018




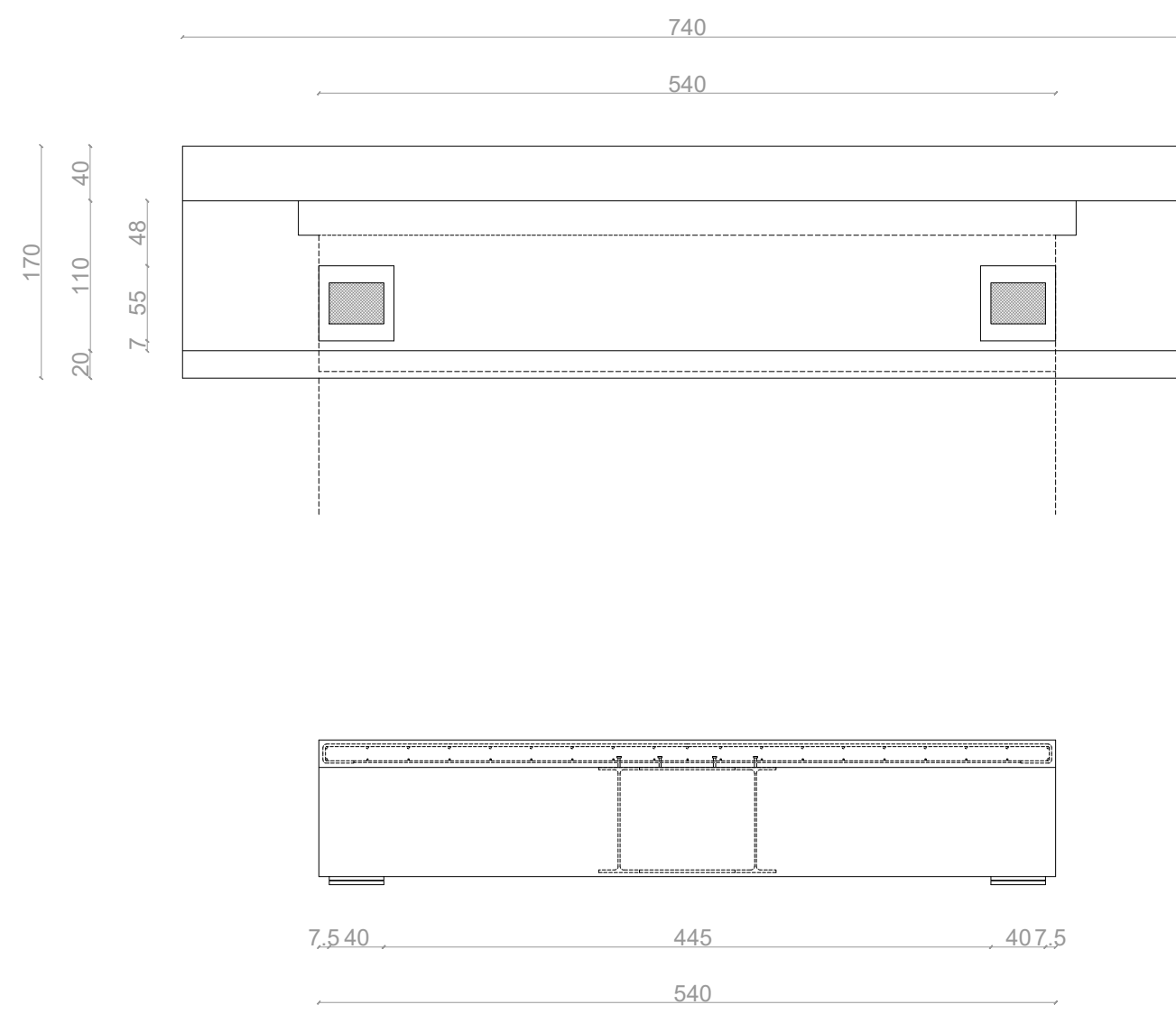
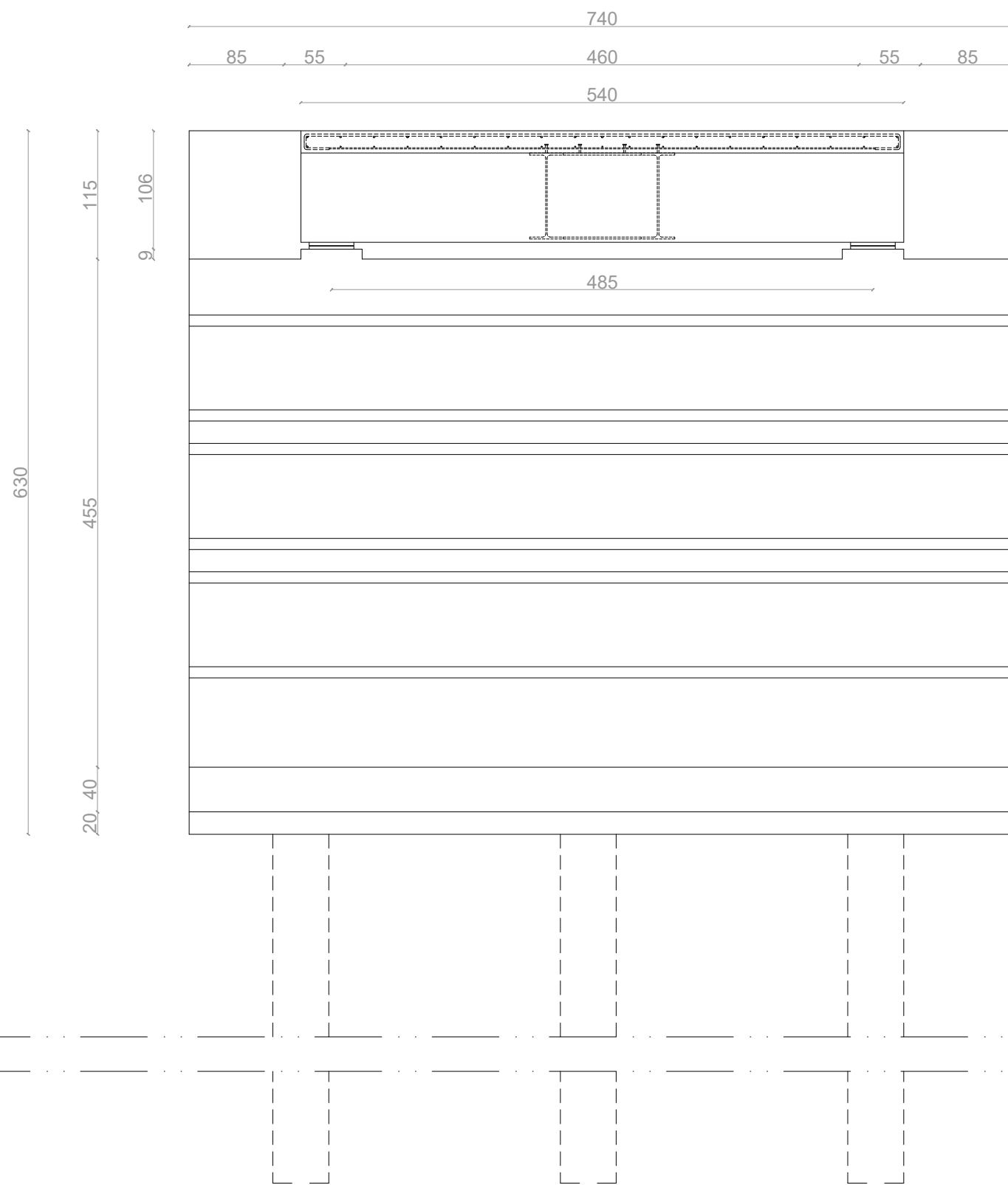
Steel
S355
HE800A
Concrete
C40/45
Reinforcement
B450C


 UNIVERSITAT POLITÈCNICA DE CATALUNYA BARCELONATECH	Designer	Director	Project name	scale	Drawing n°	Drawing's name	Date
	Stefano Gabrieli	Joan Ramon Casas Rius	Paserela sobre el rio Ter, Torroella de Montgri	1:16	6 - C	Girder section - (Exploided)	14/06/2018

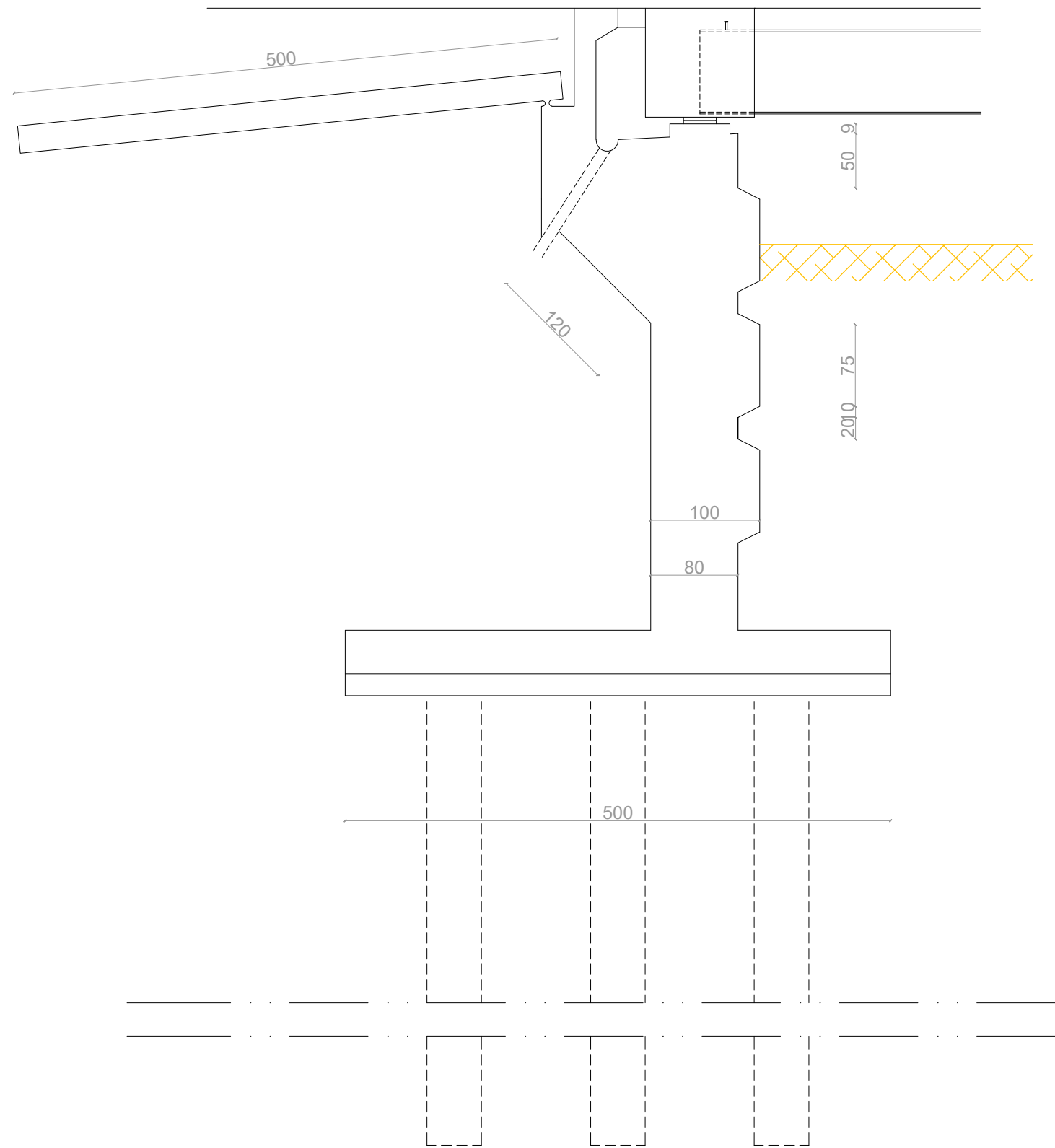
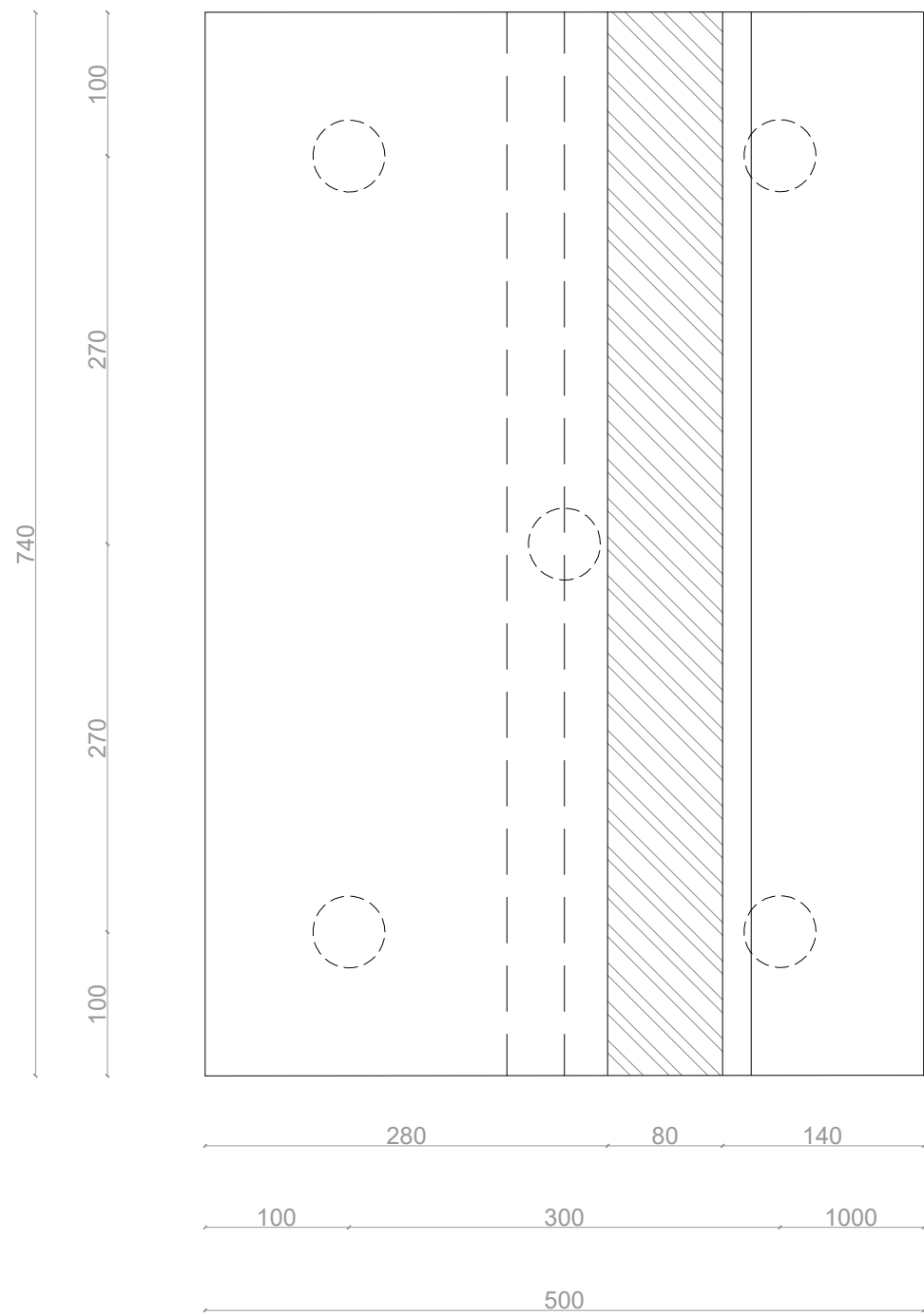



Steel
S355
HE800A
Concrete
C40/45
Reinforcement
B450C

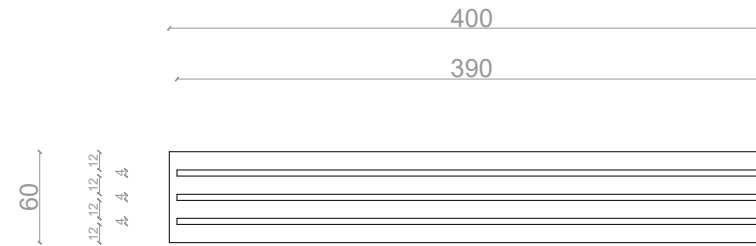
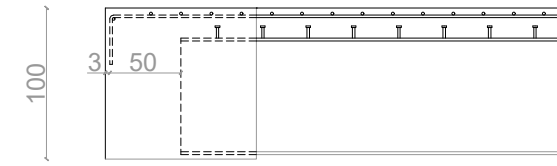
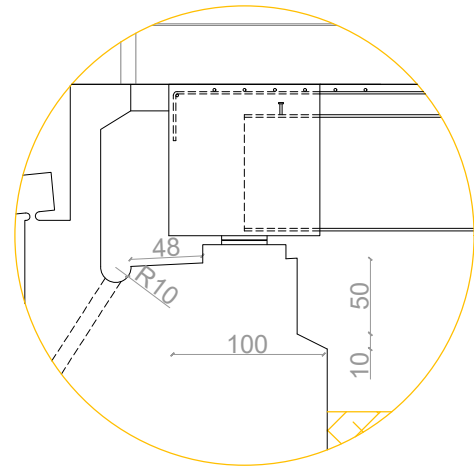
 UNIVERSITAT POLITÈCNICA DE CATALUNYA BARCELONATECH	Designer	Director	Project name	scale	Drawing n°	Drawing's name	Date
	Stefano Gabrieli	Joan Ramon Casas Rius	Paserela sobre el rio Ter, Torroella de Montgri	1:20	6 - D	Girder section - Anchoring details	14/06/2018



 UNIVERSITAT POLITÈCNICA DE CATALUNYA BARCELONATECH	Designer	Director	Project name	scale	Drawing n°	Drawing's name	Date
	Stefano Gabrieli	Joan Ramon Casas Rius	Paserela sobre el rio Ter, Torroella de Montgri	1:50	7 - A	Abutment (support) - transversal section	14/06/2018



 UNIVERSITAT POLITÈCNICA DE CATALUNYA BARCELONATECH	Designer	Director	Project name	scale	Drawing n°	Drawing's name	Date
	Stefano Gabrieli	Joan Ramon Casas Rius	Paserela sobre el rio Ter, Torroella de Montgri	1:50	7 - B	Abutment (support) - Longitudinal section	14/06/2018

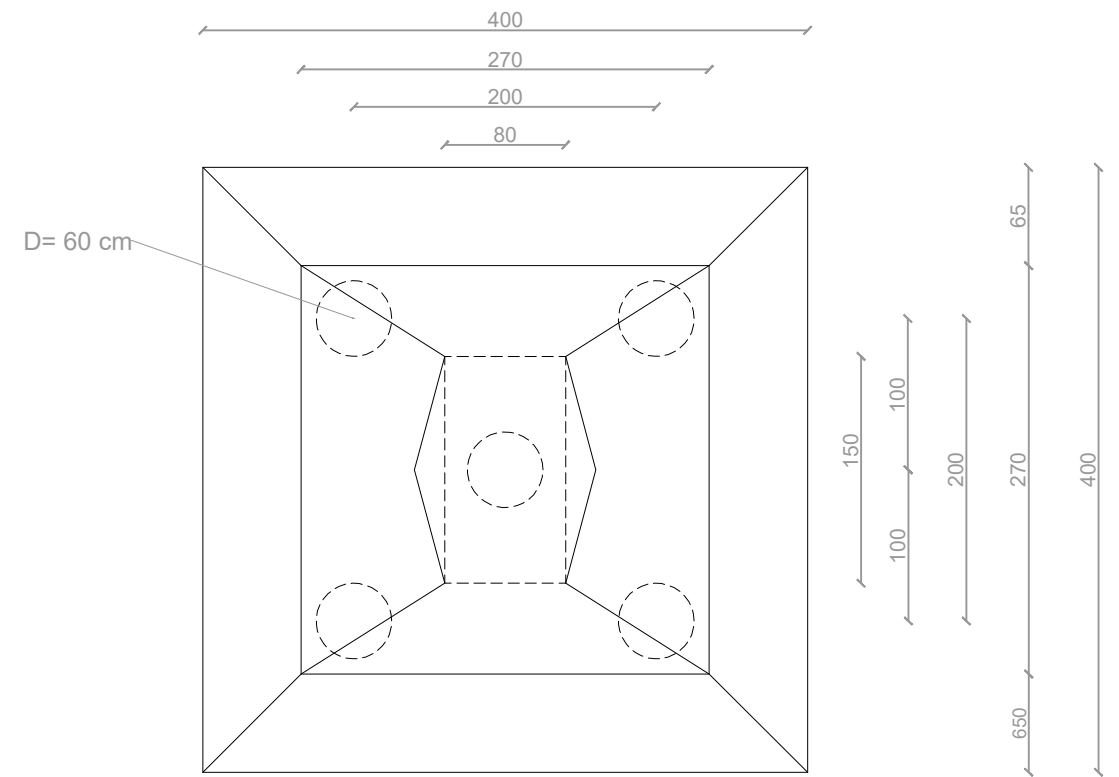
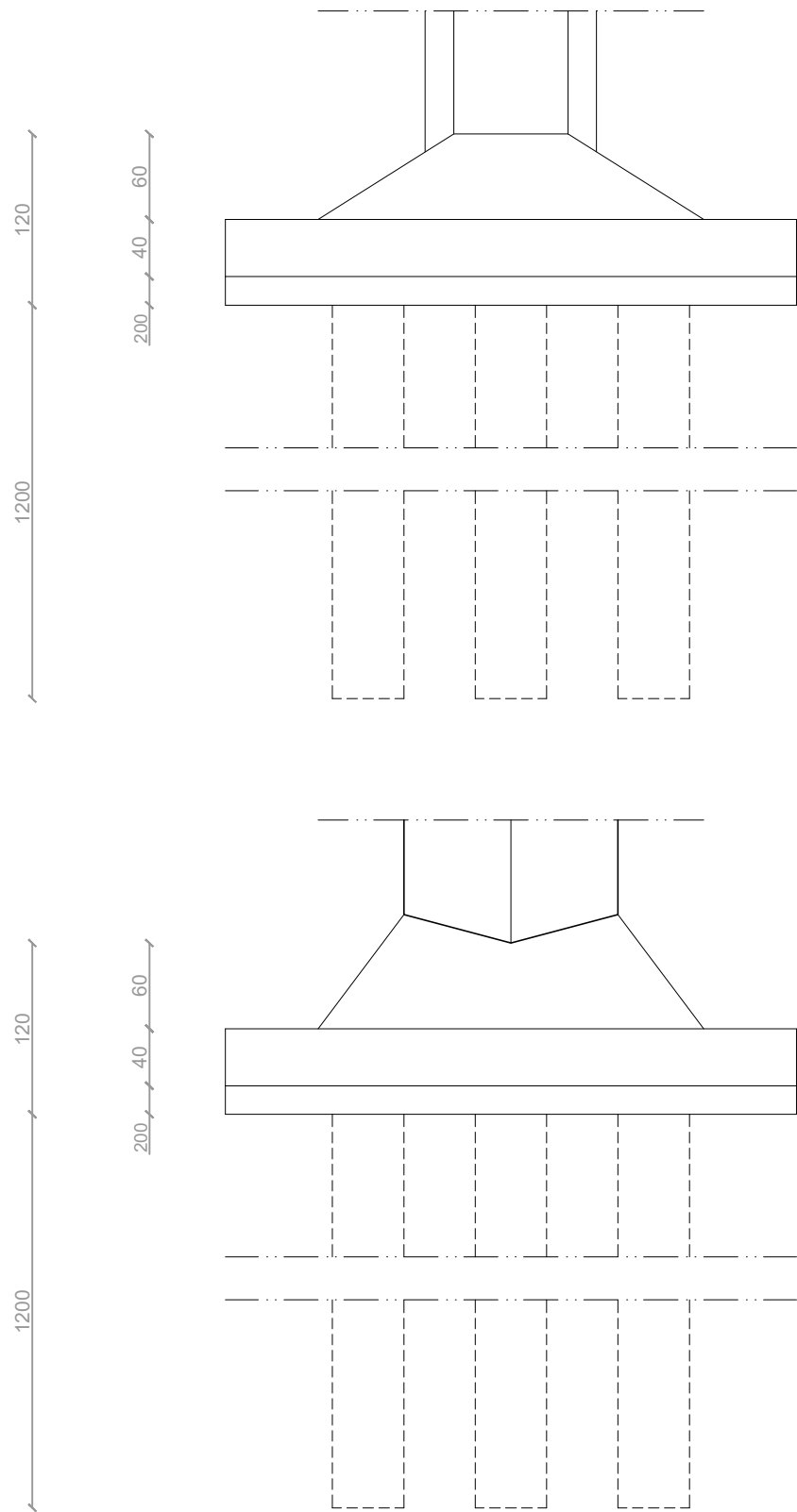



Support device

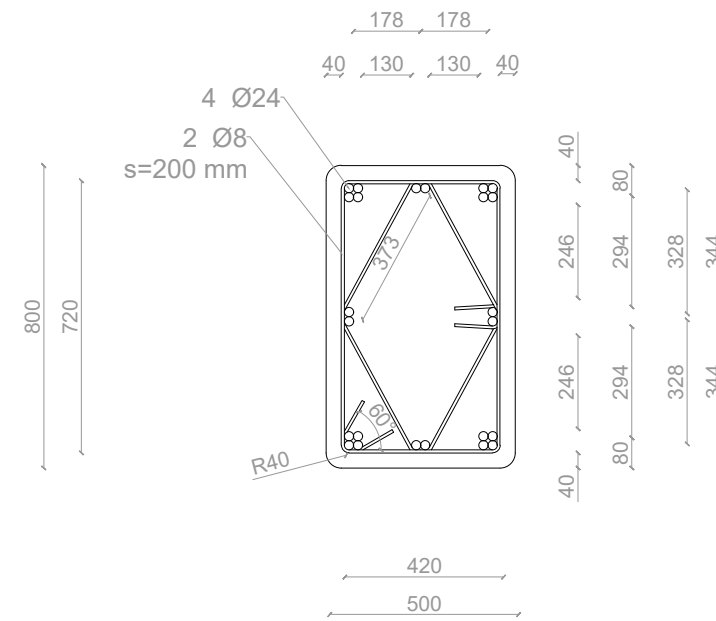
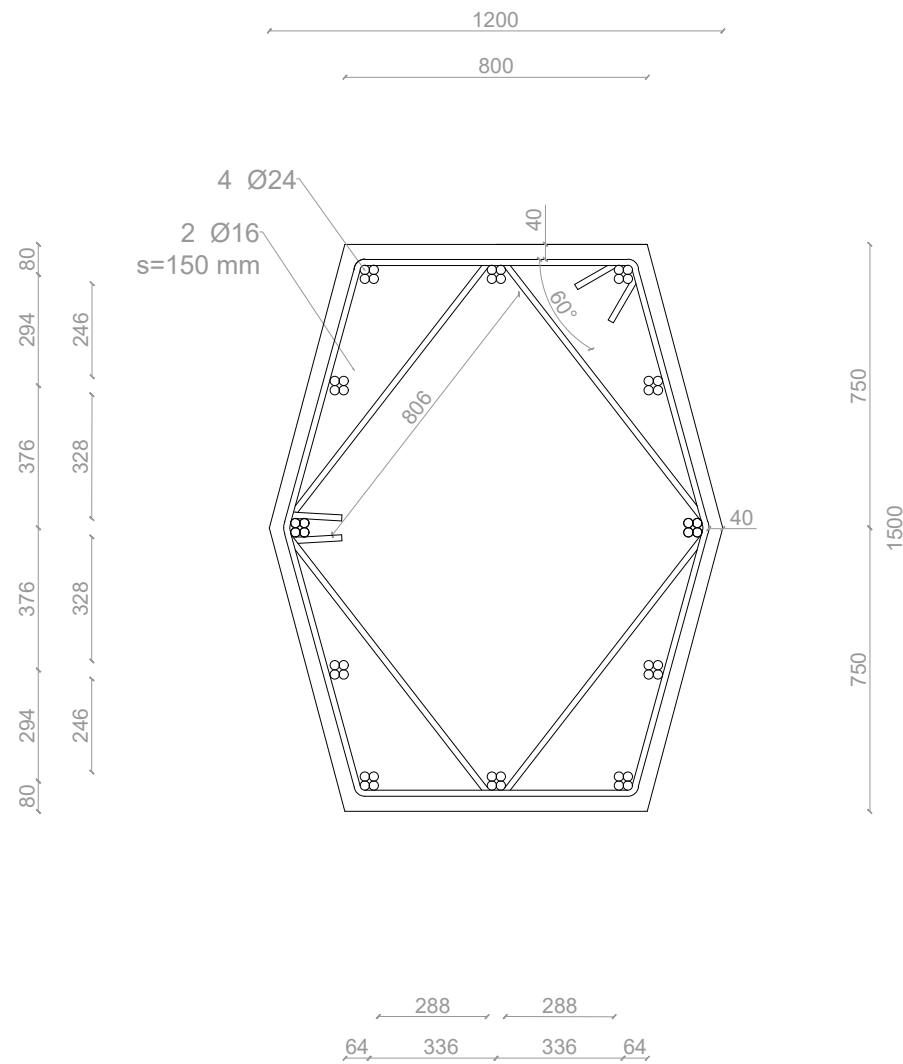


UNIVERSITAT POLITÈCNICA
DE CATALUNYA
BARCELONATECH


Designer	Director	Project name	scale	Drawing n°	Drawing's name	Date
Stefano Gabrieli	Joan Ramon Casas Rius	Paserela sobre el rio Ter, Torroella de Montgri	1:50 1:5	7 - C	Abutment (support) - Details	14/06/2018

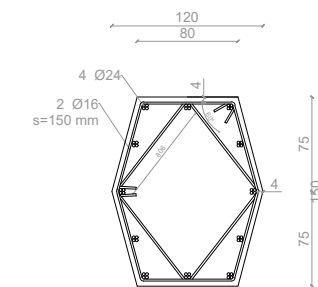
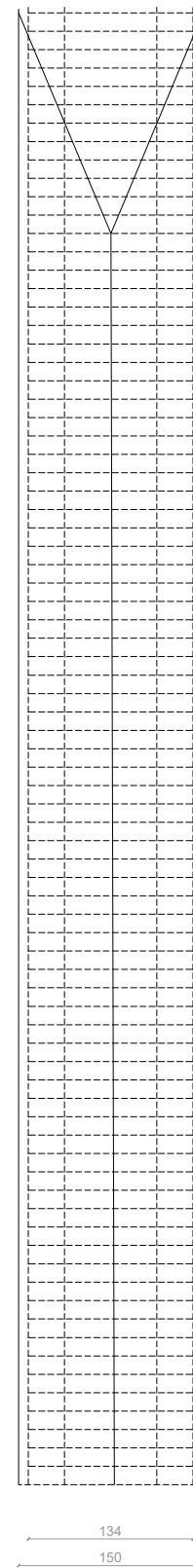
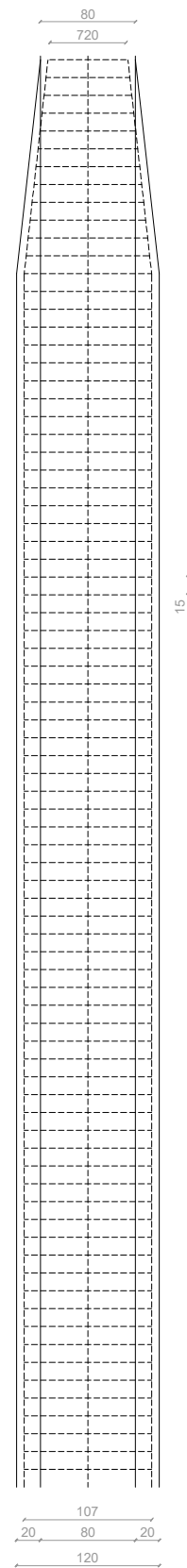


 UNIVERSITAT POLITÈCNICA DE CATALUNYA BARCELONATECH	Designer	Director	Project name	scale	Drawing n°	Drawing's name	Date
	Stefano Gabrieli	Joan Ramon Casas Rius	Paserela sobre el rio Ter, Torroella de Montgri	1:50	8	Foundations - Sections	14/06/2018




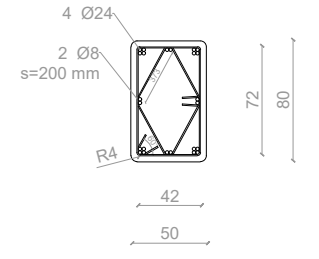
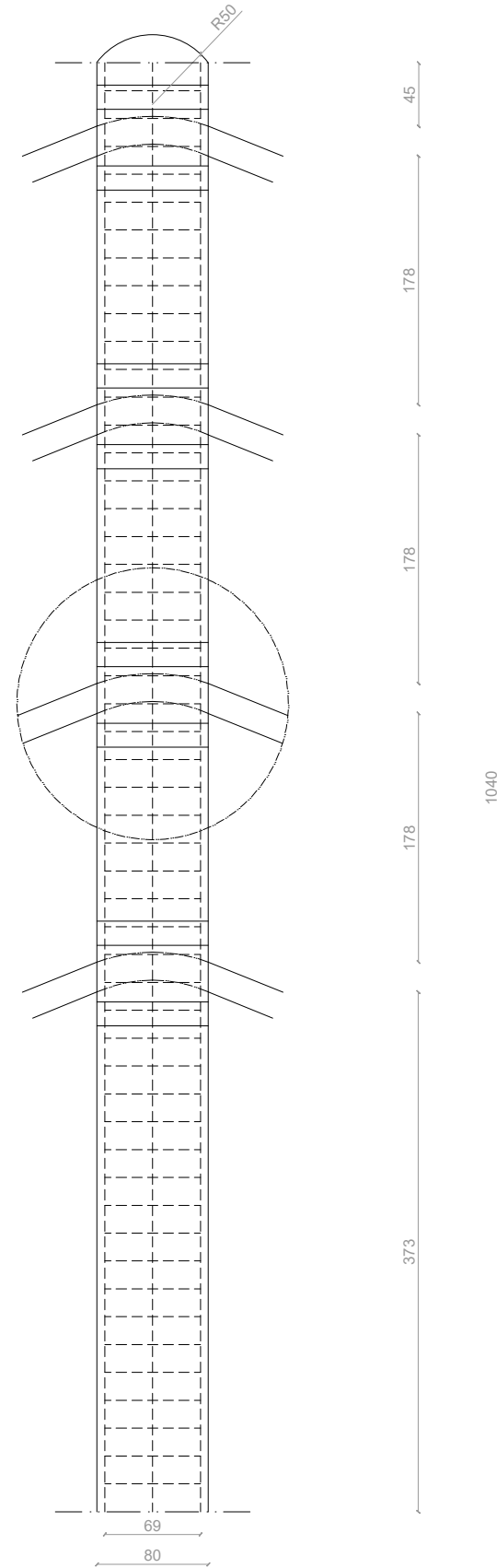
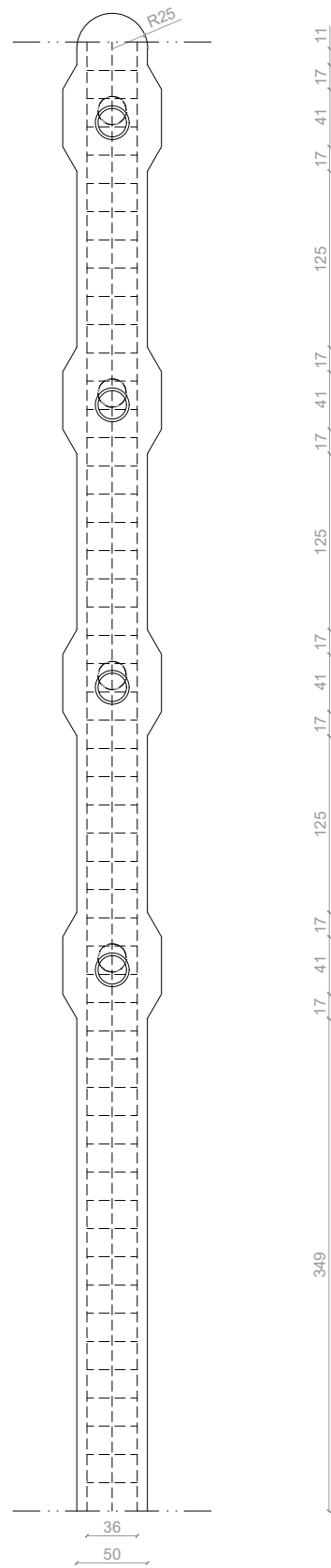
Concrete
C40/45
Reinforcement
B450C

 UNIVERSITAT POLITÈCNICA DE CATALUNYA BARCELONATECH	Designer	Director	Project name	scale	Drawing n°	Drawing's name	Date
	Stefano Gabrieli	Joan Ramon Casas Rius	Paserela sobre el rio Ter, Torroella de Montgri	1:20	9 - A	Pylons - Sections	14/06/2018




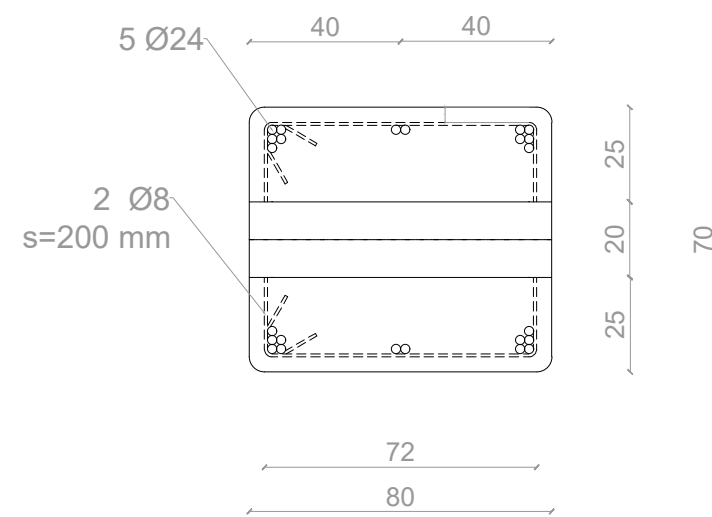
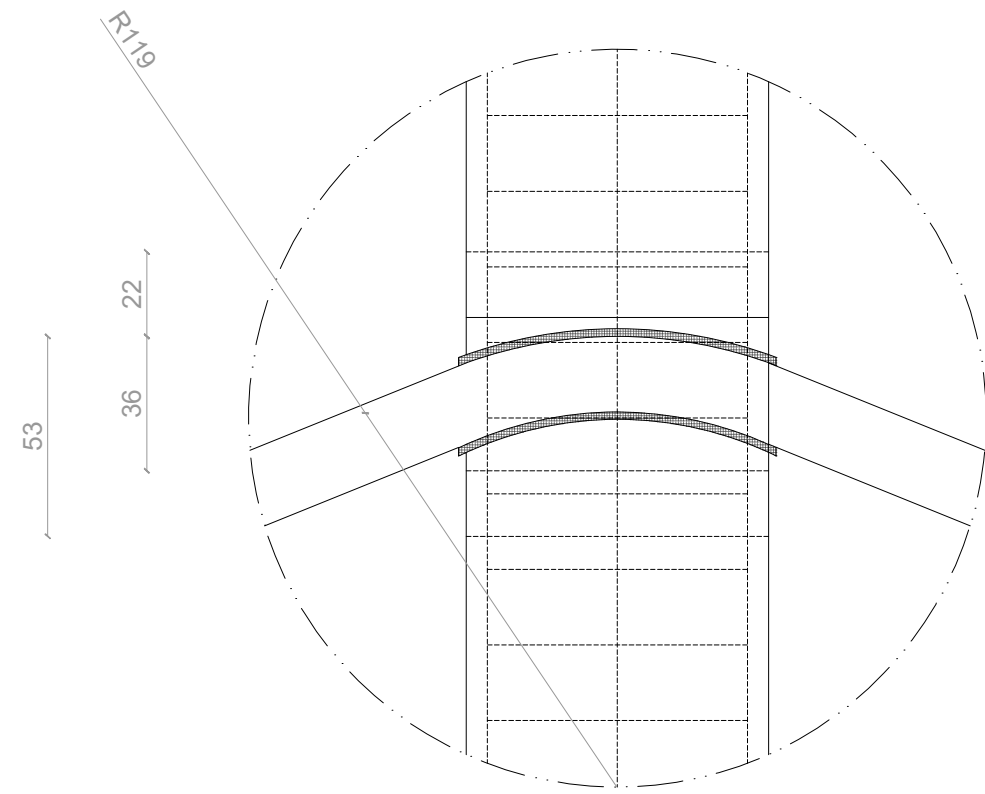
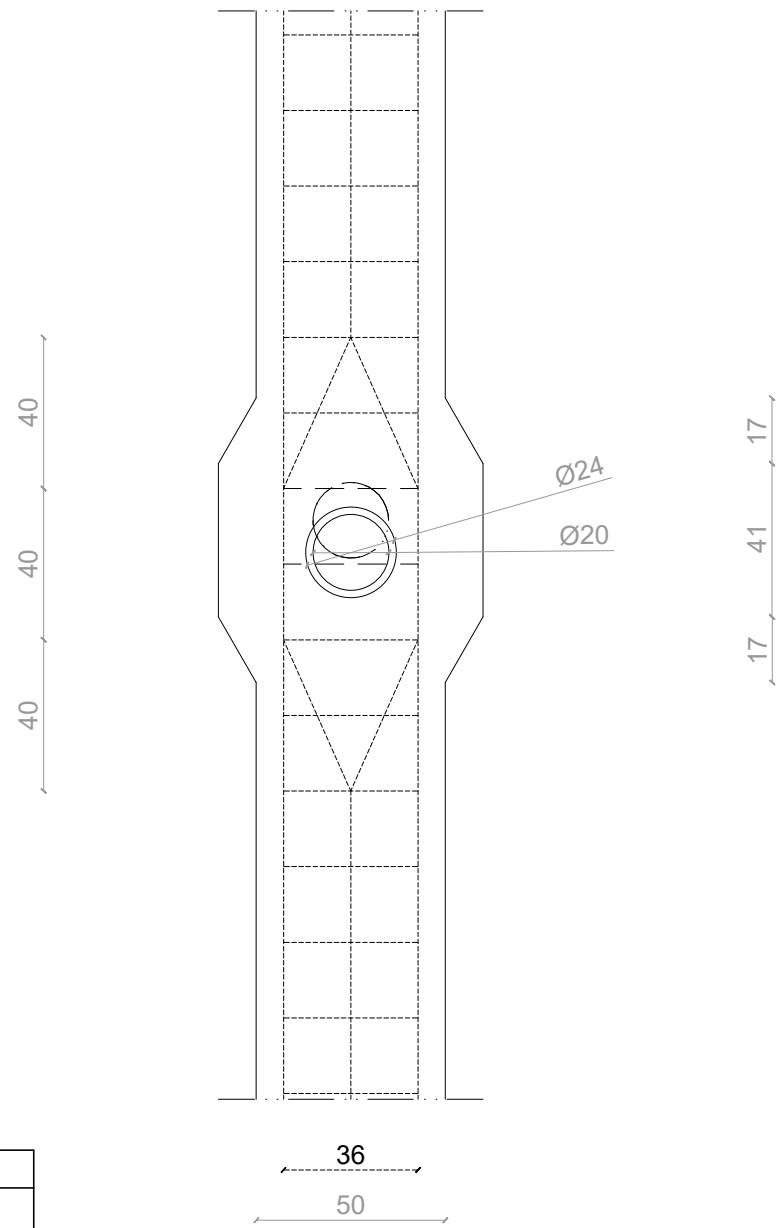
Concrete
C40/45
Reinforcement
B450C

 UNIVERSITAT POLITÈCNICA DE CATALUNYA BARCELONATECH	Designer	Director	Project name	scale	Drawing n°	Drawing's name	Date
	Stefano Gabrieli	Joan Ramon Casas Rius	Paserela sobre el rio Ter, Torroella de Montgri	1:60	9 - B	Pylons - Bottom part	14/06/2018




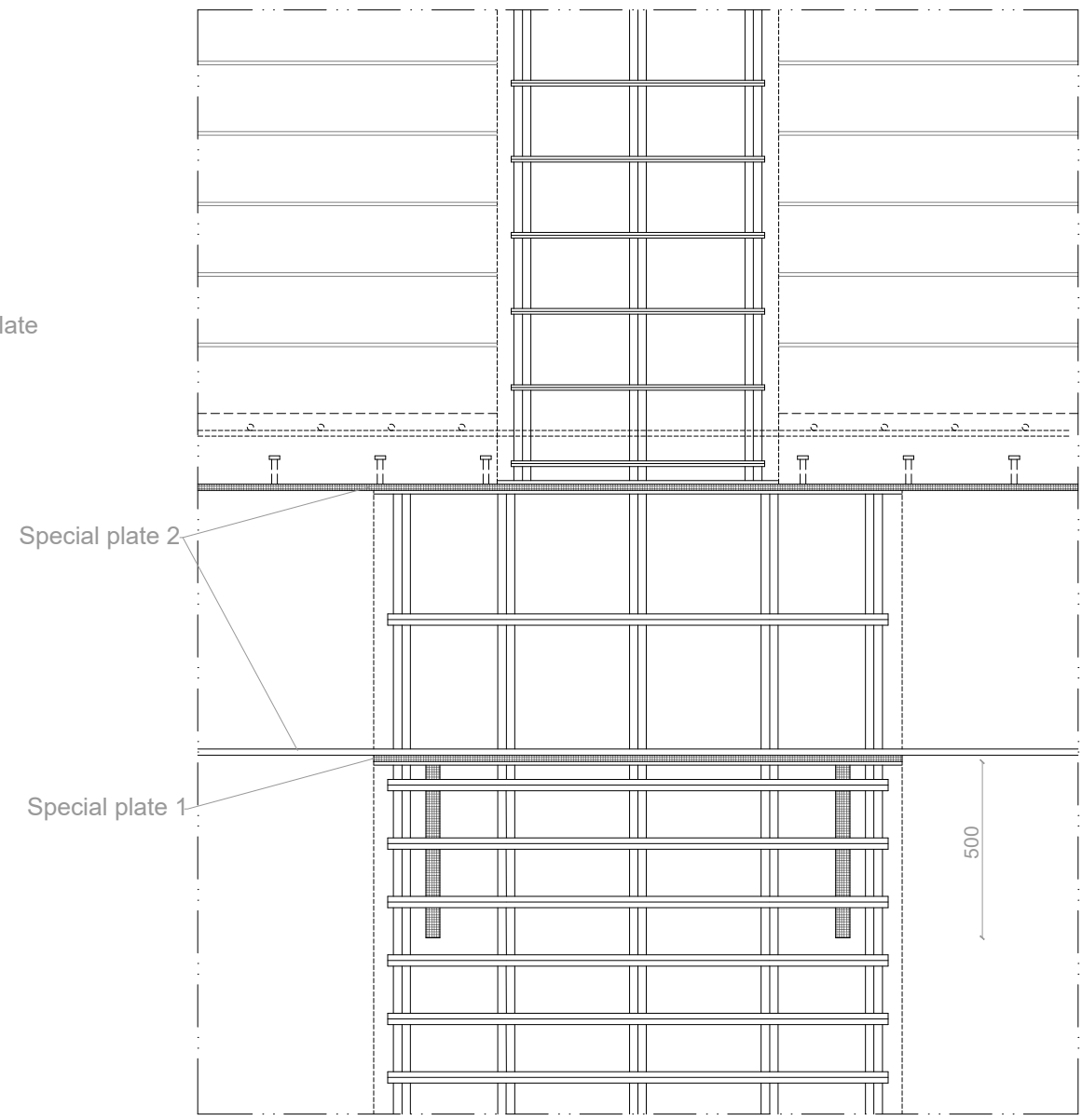
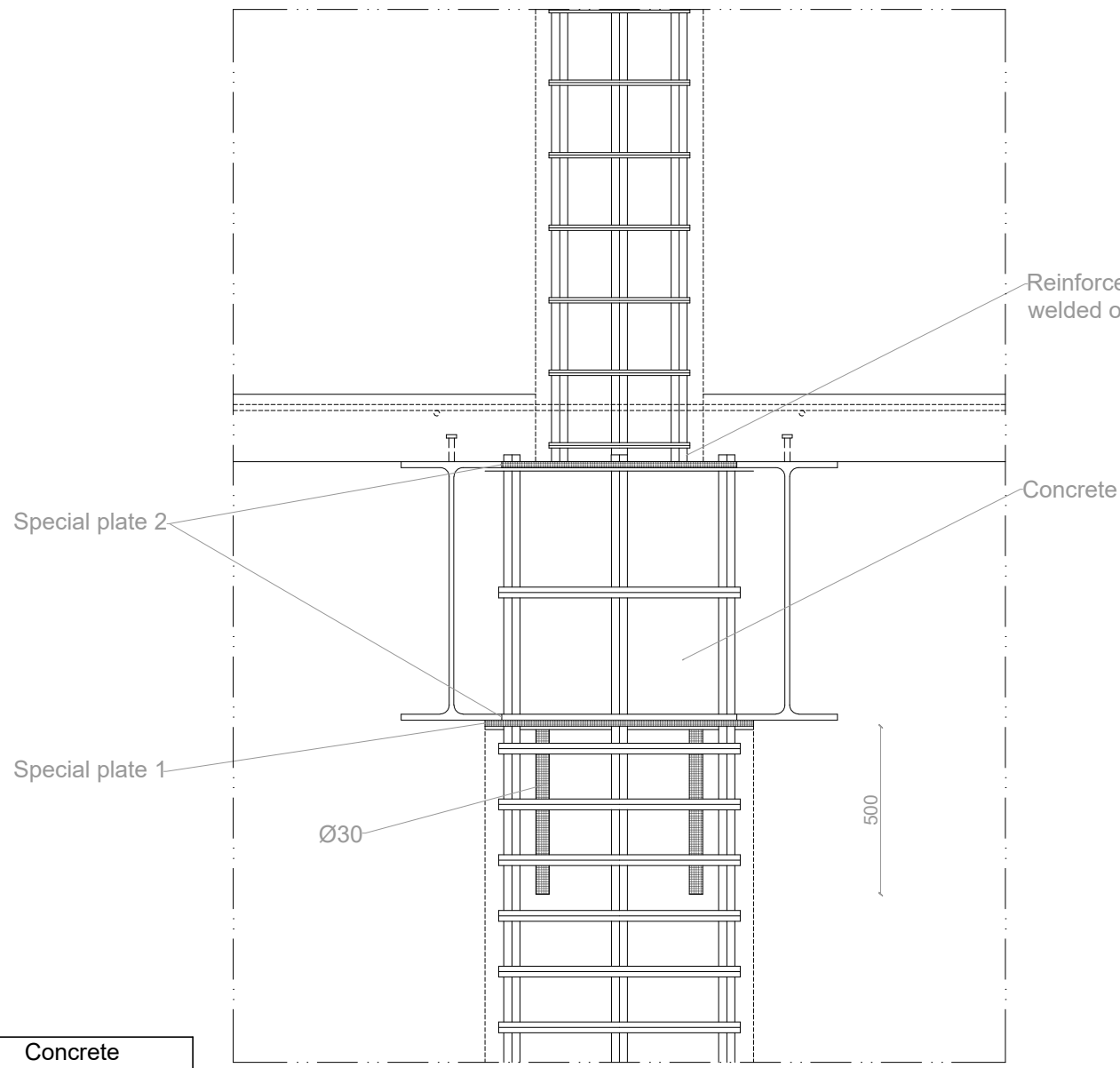
Concrete
C40/45
Reinforcement
B450C

 UNIVERSITAT POLITÈCNICA DE CATALUNYA BARCELONATECH	Designer	Director	Project name	scale	Drawing n°	Drawing's name	Date
	Stefano Gabrieli	Joan Ramon Casas Rius	Paserela sobre el rio Ter, Torroella de Montgri	1:50	9 - C	Pylons - above part	14/06/2018




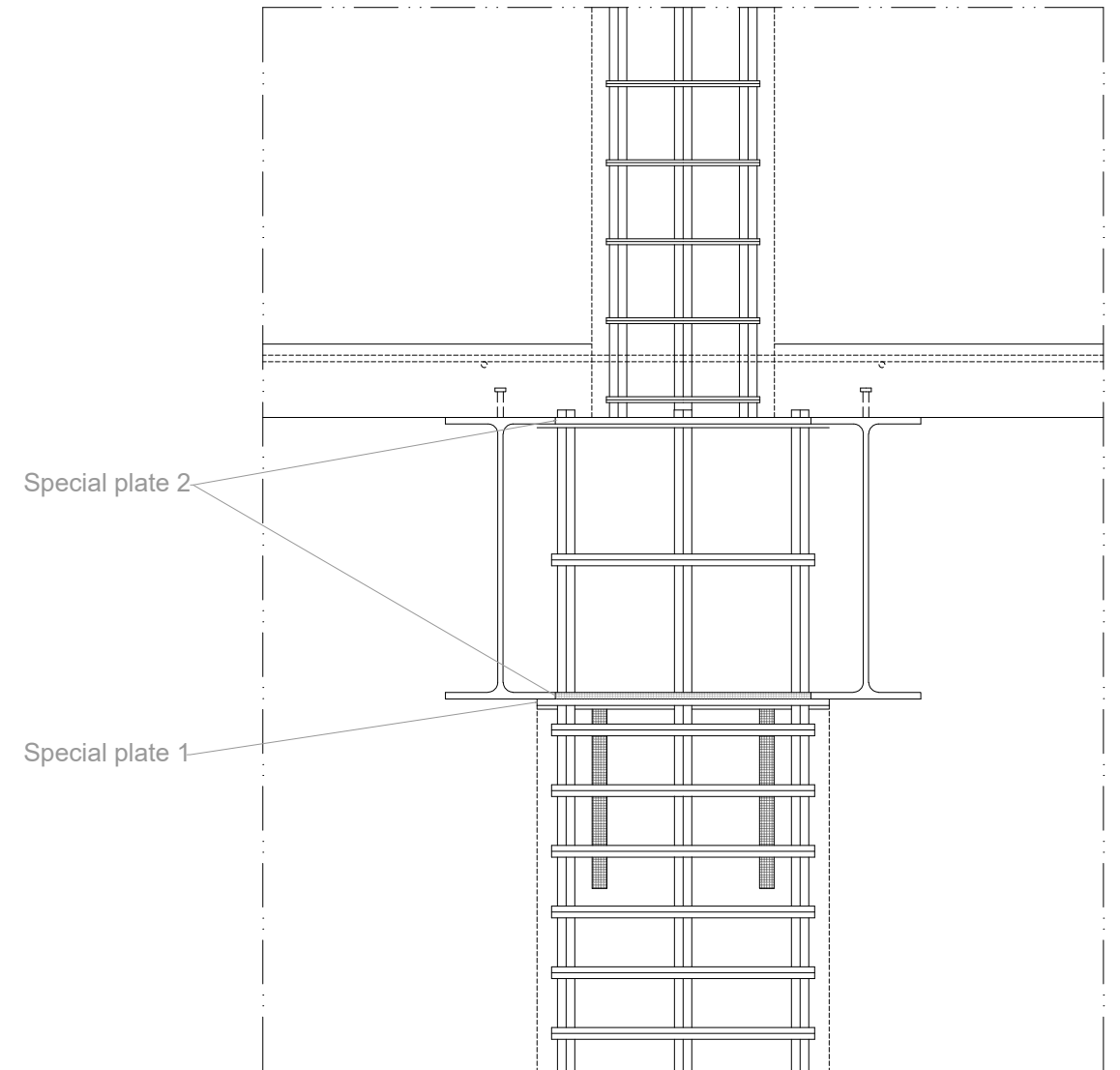
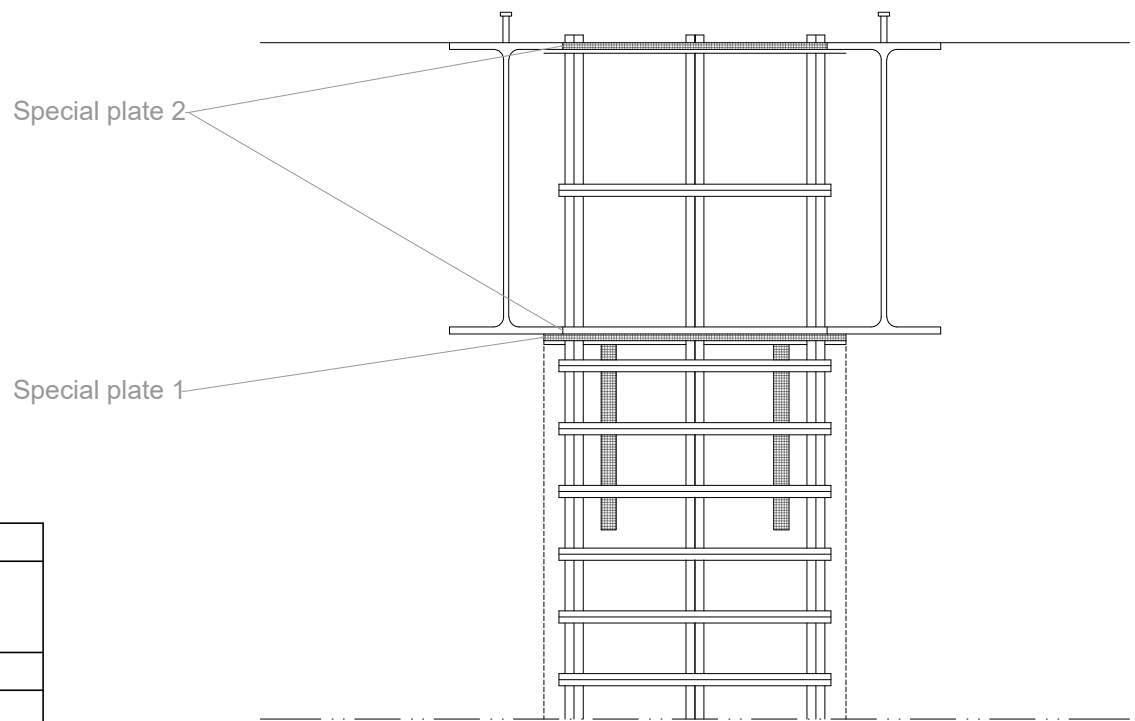
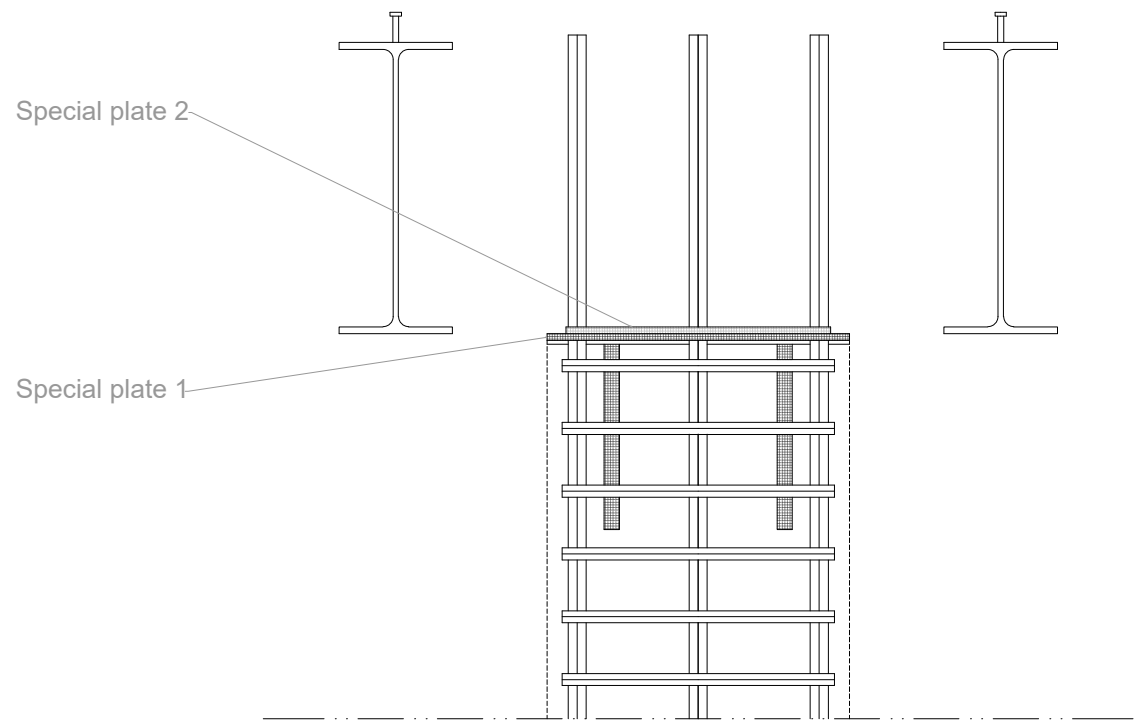
Concrete
C40/45
Reinforcement
B450C

 UNIVERSITAT POLITÈCNICA DE CATALUNYA BARCELONATECH	Designer	Director	Project name	scale	Drawing n°	Drawing's name	Date
	Stefano Gabrieli	Joan Ramon Casas Rius	Paserela sobre el rio Ter, Torroella de Montgri	1:20	9 - D	Pylons - details	14/06/2018




Concrete
C40/45
Reinforcement
B450C

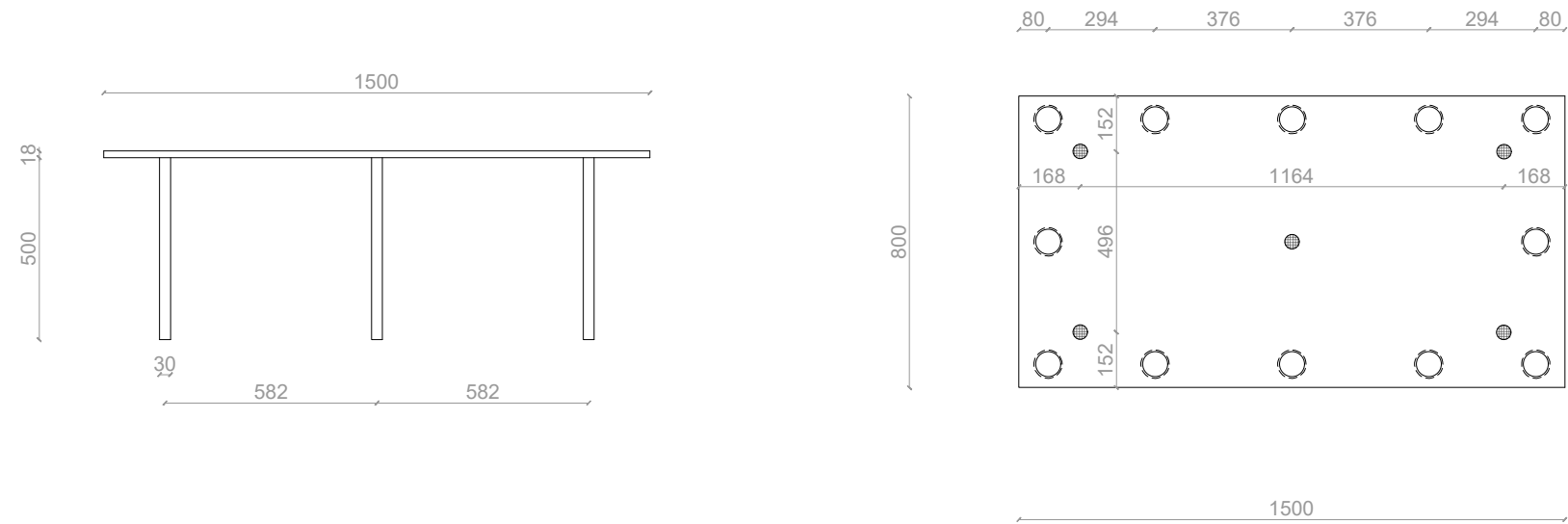
 UNIVERSITAT POLITÈCNICA DE CATALUNYA BARCELONATECH	Designer	Director	Project name	scale	Drawing n°	Drawing's name	Date
	Stefano Gabrieli	Joan Ramon Casas Rius	Paserela sobre el rio Ter, Torroella de Montgri	1:20	10- A	Joint- sections	14/06/2018



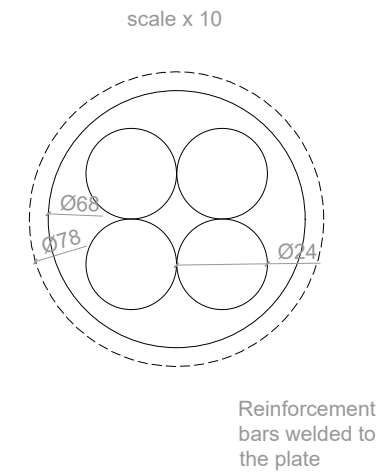
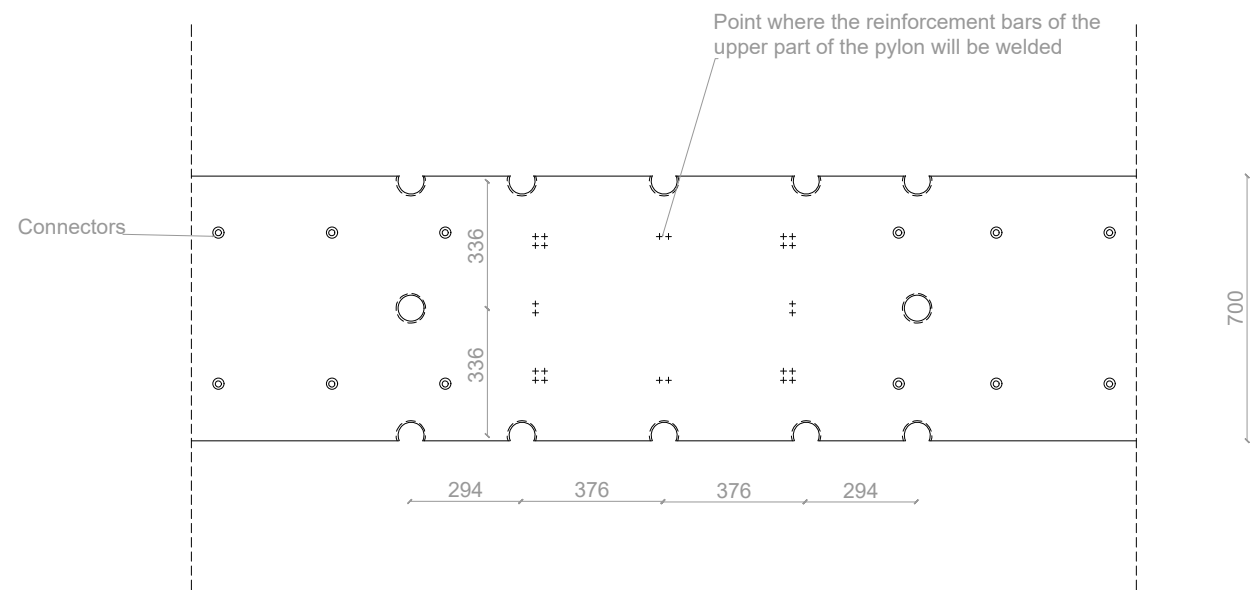
Concrete
C40/45
Reinforcement
B450C

 UNIVERSITAT POLITÈCNICA DE CATALUNYA BARCELONATECH	Designer	Director	Project name	scale	Drawing n°	Drawing's name	Date
	Stefano Gabrieli	Joan Ramon Casas Rius	Paserela sobre el rio Ter, Torroella de Montgri	1:20	10- B	Joint- Constructive process	14/06/2018


Special plate 1



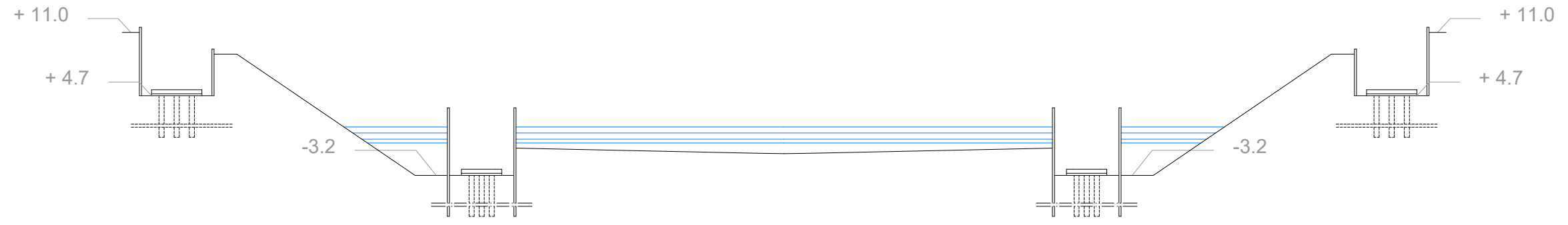
Special plate 2



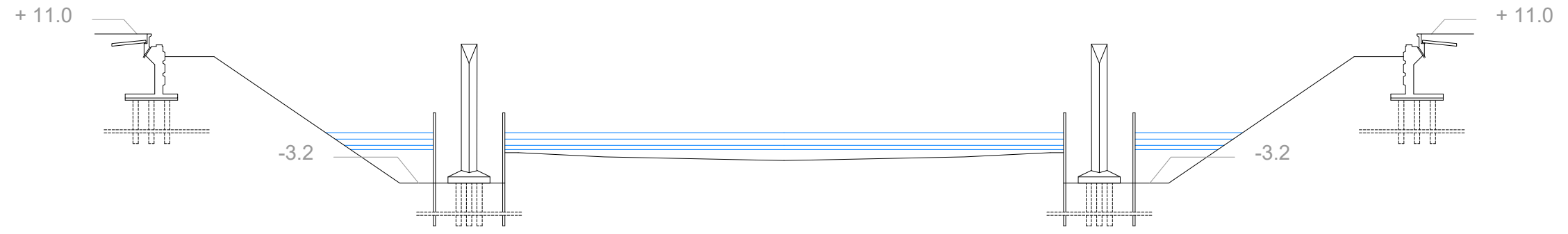
Steel
S355
Reinforcement
B450C

 UNIVERSITAT POLITÈCNICA DE CATALUNYA BARCELONATECH	Designer	Director	Project name	scale	Drawing n°	Drawing's name	Date
	Stefano Gabrieli	Joan Ramon Casas Rius	Paserela sobre el rio Ter, Torroella de Montgri	1:20	10 - C	Joint- Special elements	14/06/2018

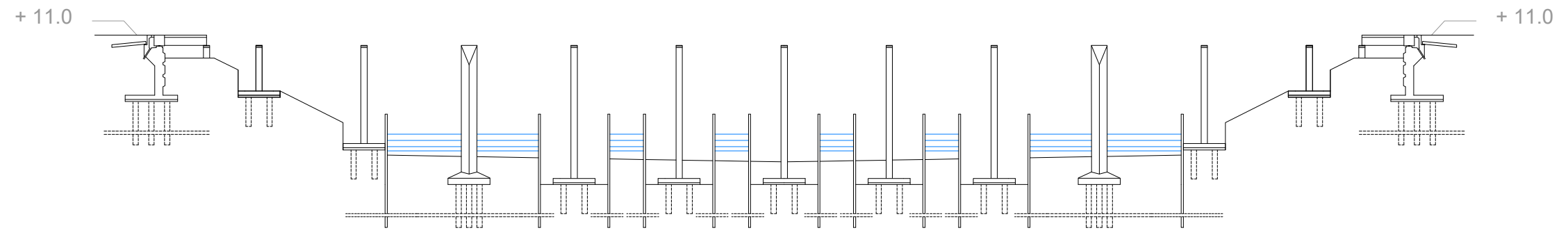
I step



II step

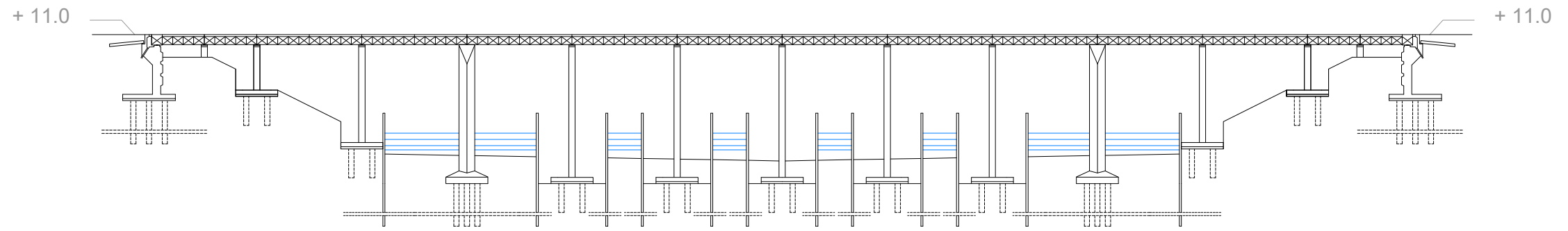


III step

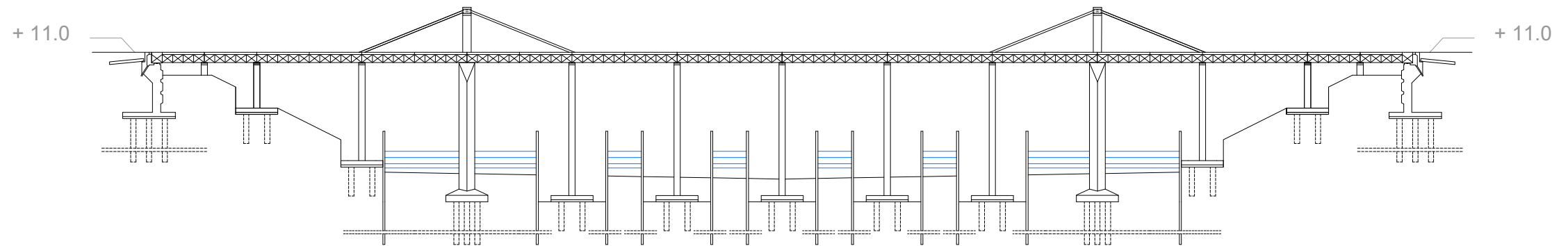


Designer	Director	Project name	scale	Drawing n°	Drawing's name	Date
Stefano Gabrieli	Joan Ramon Casas Rius	Paserela sobre el rio Ter, Torroella de Montgri	1:500	11 - A	Constructive process (I - II - III)	14/06/2018

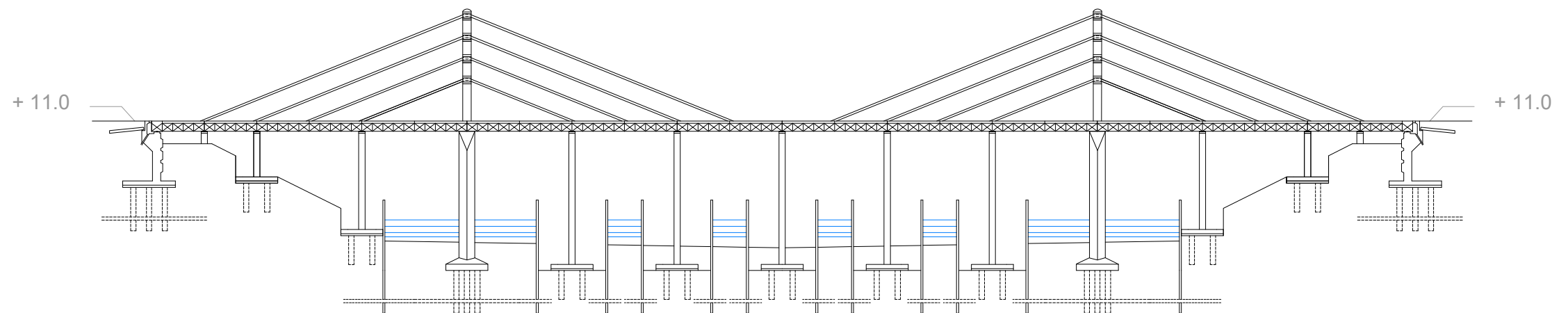
IV step



V step

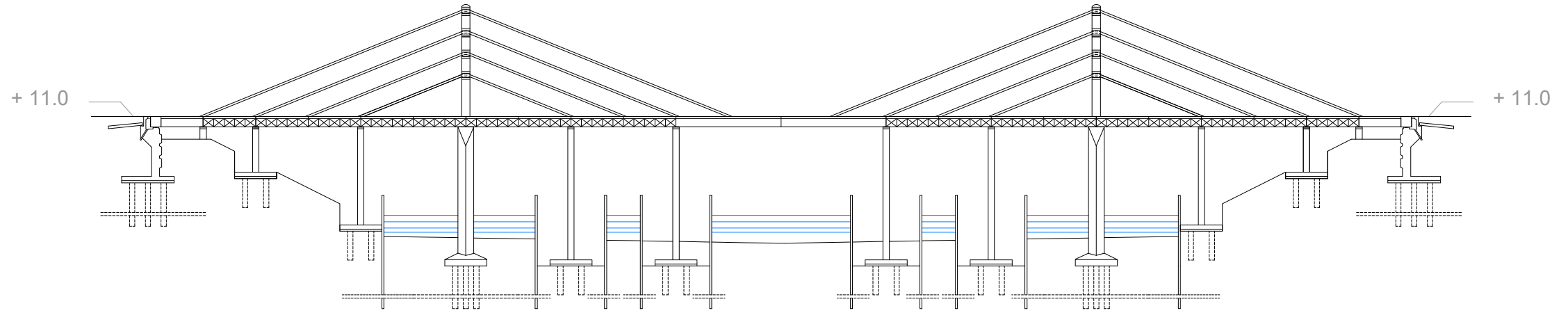


VI step

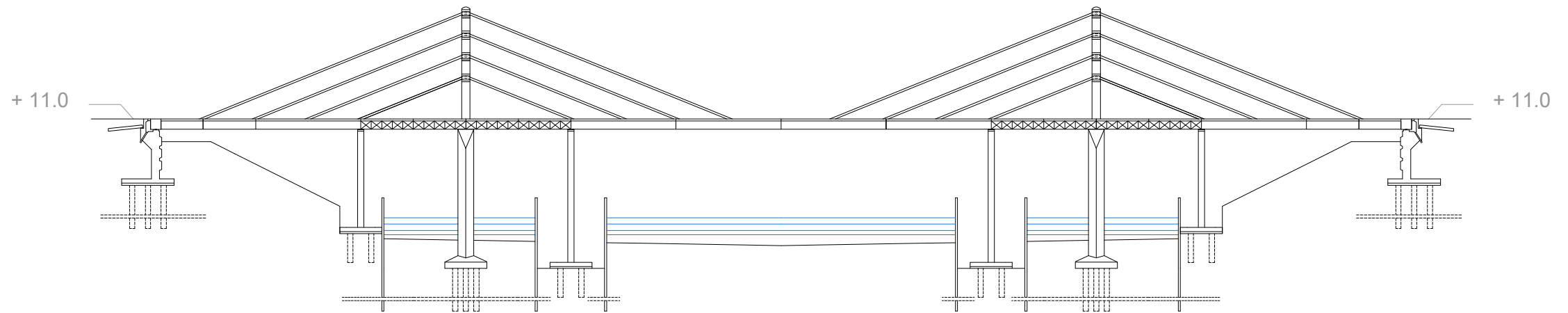


Designer	Director	Project name	scale	Drawing n°	Drawing's name	Date
Stefano Gabrieli	Joan Ramon Casas Rius	Paserela sobre el rio Ter, Torroella de Montgri	1:500	11 - B	Constructive process (IV - V - VI)	14/06/2018

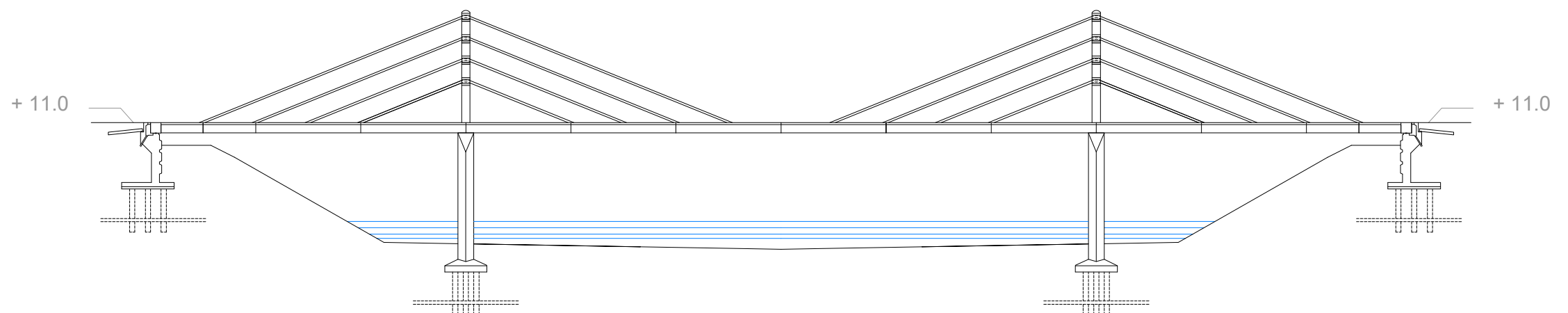
VI step



VII step

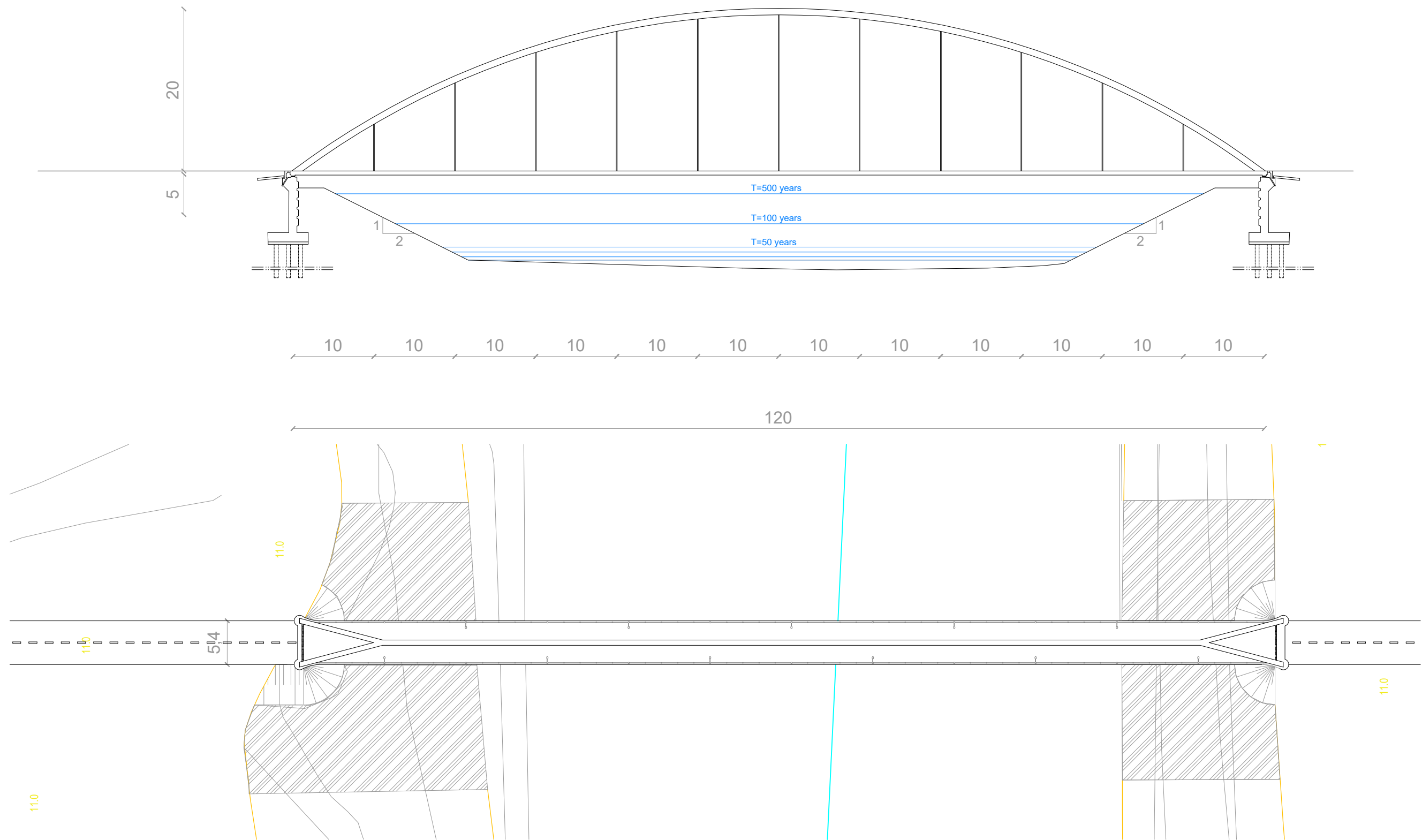



VIII step

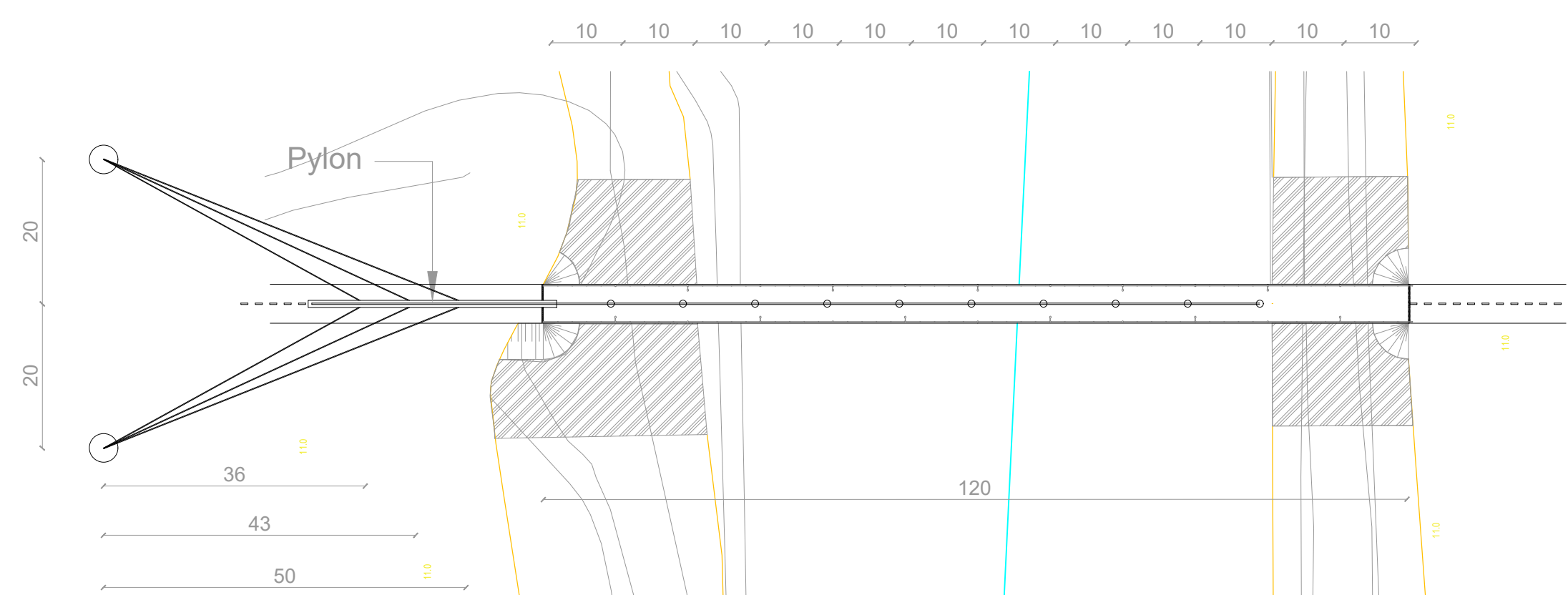
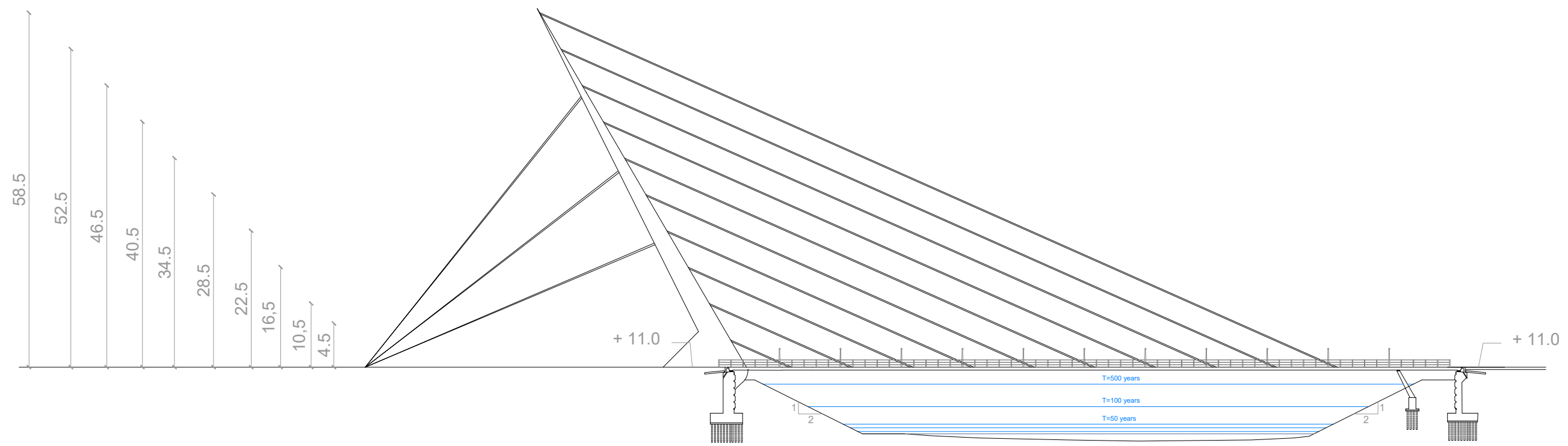



UNIVERSITAT POLITÈCNICA
DE CATALUNYA
BARCELONATECH

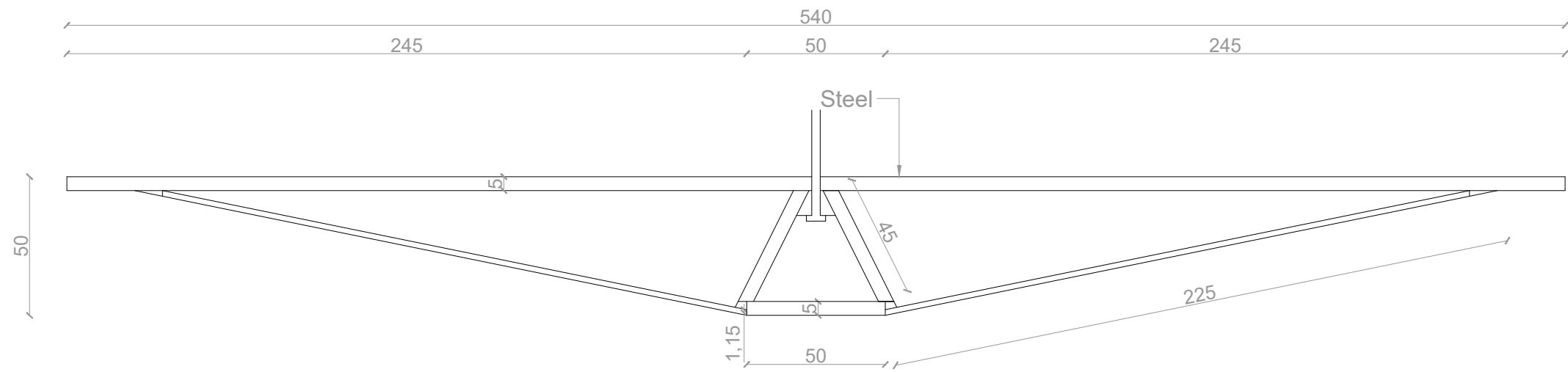
Designer	Director	Project name	scale	Drawing n°	Drawing's name	Date
Stefano Gabrieli	Joan Ramon Casas Rius	Paserela sobre el rio Ter, Torroella de Montgri	1:500	11 - C	Constructive process (VII - VIII - IX)	14/06/2018



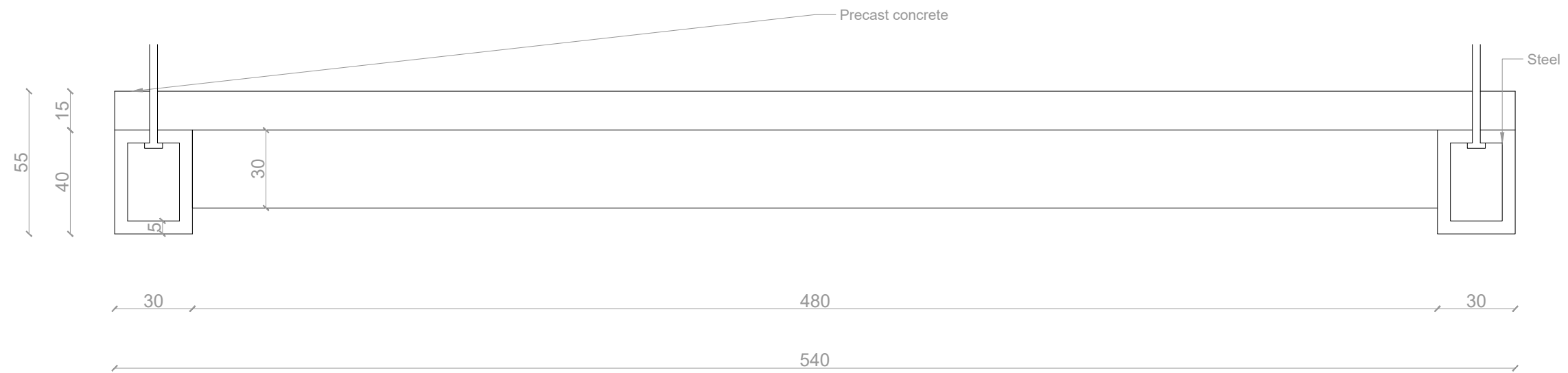
 UNIVERSITAT POLITÈCNICA DE CATALUNYA BARCELONATECH	Designer	Director	Project name	scale	Drawing n°	Drawing's name	Date
	Stefano Gabrieli	Joan Ramon Casas Rius	Paserela sobre el rio Ter, Torroella de Montgri	1:750	12 - A	Arch alternative	14/06/2018




 UNIVERSITAT POLITÈCNICA DE CATALUNYA BARCELONATECH	Designer	Director	Project name	scale	Drawing n°	Drawing's name	Date
	Stefano Gabrieli	Joan Ramon Casas Rius	Paserela sobre el rio Ter, Torroella de Montgri	1:750	12 - B	Cable-stayed alternative	14/06/2018



Girder proposal for the cable-stayed alternative



Girder proposal for the arch alternative

 UNIVERSITAT POLITÈCNICA DE CATALUNYA BARCELONATECH	Designer	Director	Project name	scale	Drawing n°	Drawing's name	Date
		Stefano Gabrieli	Joan Ramon Casas Rius	Paserela sobre el rio Ter, Torroella de Montgri	1:20	12 - C	Girder sections