

VARNA LIBRARY



Model: БИБЛ_V_01

SUPPLEMENTARY



READERS MANUAL

MASTER THESIS

“A NEW BUILDING OF THE REGIONAL LIBRARY IN VARNA, BULGARIA”



POLITECNICO
MILANO 1863

SCHOOL OF ARCHITECTURE URBAN PLANNING
CONSTRUCTION ENGINEERING

AUTHOR: **Aleksandar Evgeniev Stoychev**
matr N: 872127

MASTER OF SCIENCE IN ARCHITECTURAL ENGINEERING

SUPERVISOR: prof. Gabriele Masera
CO-SUPERVISOR: prof. Massimo Tadi

ACADEMIC YEAR 2017-2018

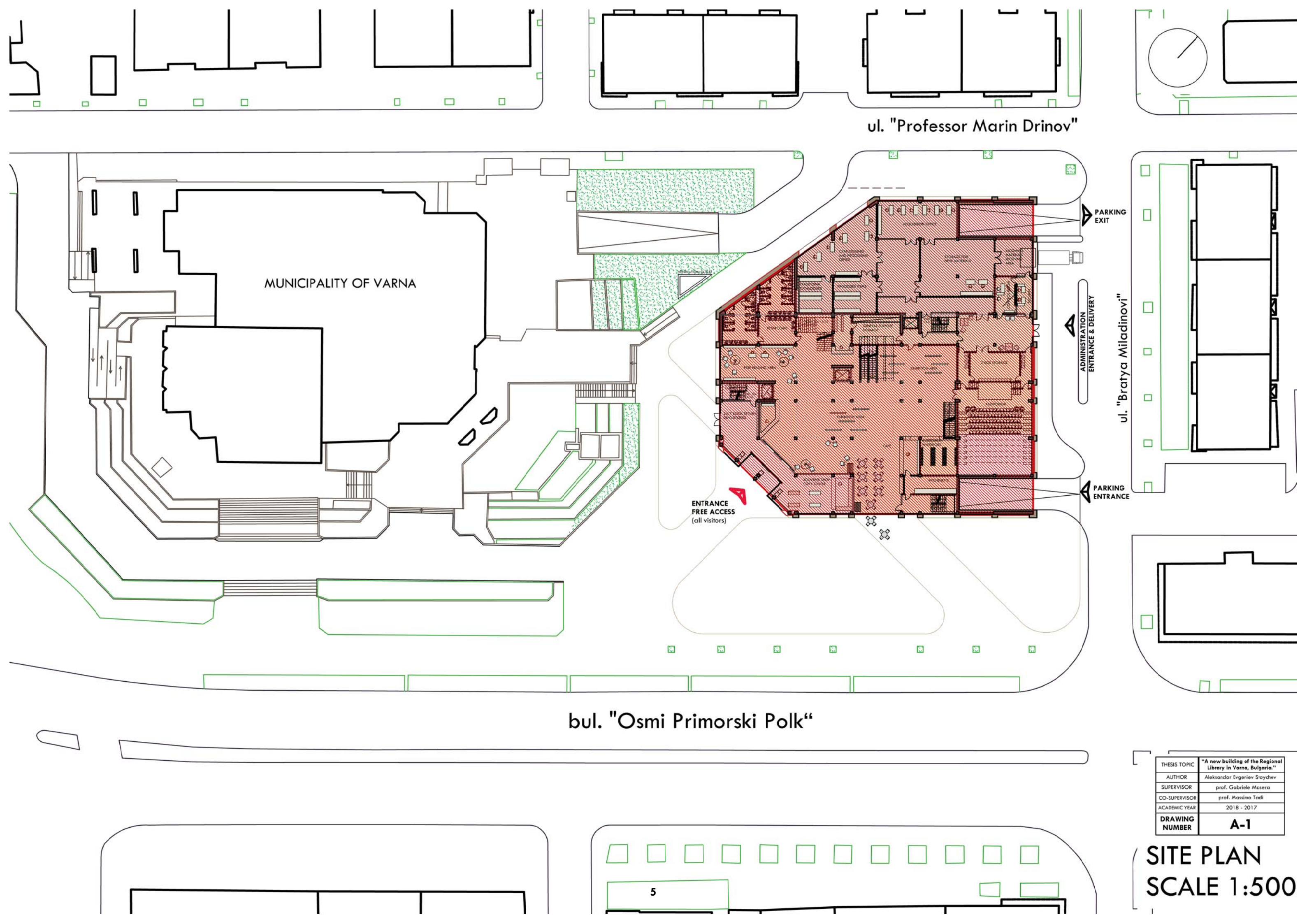
**DRAWINGS
BOOKLET**

DOCUMENT REGISTER - DRAWINGS

DRAWING NUMBER	DRAWING NAME	PAGE
A-1	SITE PLAN	5
A-2	LEVEL ± 0.00	6
A-3	LEVEL + 3.00	7
A-4	LEVEL + 6.00	8
A-5	LEVEL + 9.00	9
A-6	LEVEL + 10.50	10
A-7	LEVEL + 12.00	11
A-8	LEVEL + 15.00	12
A-9	LEVEL + 18.00	13
A-10	LEVEL + 19.50	14
A-11	LEVEL + 21.00	15
A-12	LEVEL + 24.00	16
A-13	LEVEL + 27.00	17
A-14	LEVEL + 28.50	18
A-15	LEVEL + 33.00	19
A-16	ROOF PLAN	20
A-17	LEVEL - 3.50	21
A-18	LEVEL - 7.00	22
A-19	LEVEL - 10.50	23
A-20	LEVEL - 14.00	24
A-21	SECTION A-A	25
A-22	SOUTH-EAST FACADE	26
A-23	NORTH-EAST FACADE	27
A-24	NORTH-WEST FACADE	28
A-25	SOUTH-WEST FACADE	29
A-26	SOUTH-EAST FACADE - FACADE COORDINATION	30
A-27	NORTH-EAST FACADE - FACADE COORDINATION	31
A-28	NORTH-WEST FACADE - FACADE COORDINATION	32
A-29	WEST FACADE - FACADE COORDINATION	33
A-30	SOUTH-WEST FACADE - FACADE COORDINATION	34
A-31	ROOF - FACADE COORDINATION	35
A-32	FACADE FRAGMENT	36
A-33	DETAIL 1	37
A-34	DETAIL 2	38
A-35	DETAIL 3	39
A-36	DETAIL 4	40
A-37	DETAIL 5	41
A-38	DETAIL 6	42
A-39	DETAIL 7	43

DRAWING NUMBER	DRAWING NAME	PAGE
S-1	Structure - LEVEL - 0.05	44
S-2	Structure - LEVEL + 5.95	45
S-3	Structure - LEVEL + 14.95	46
S-4	Structure - LEVEL + 23.95	47
S-5	Structure - LEVEL + 37.15	48
S-6	Structure - SECTION B-B	49
S-7	Structure - PLAN FRAGMENT - LEVEL + 14.95	50
S-8	REINFORCEMENT ARRANGEMENT 1-1 - FLOOR SLAB	51
S-9	REINFORCEMENT ARRANGEMENT - FLOOR SLAB SECTIONS	52
S-10	REINFORCEMENT ARRANGEMENT 2-2 - BEAM	53
S-11	REINFORCEMENT ARRANGEMENT - BEAM SECTIONS	54





ul. "Professor Marin Drinov"

MUNICIPALITY OF VARNA

ul. "Bratya Miladinovi"

bul. "Osmi Primorski Polk"

ENTRANCE
FREE ACCESS
(all visitors)

PARKING
EXIT


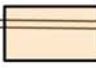
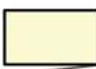

ADMINISTRATION
ENTRANCE & DELIVERY

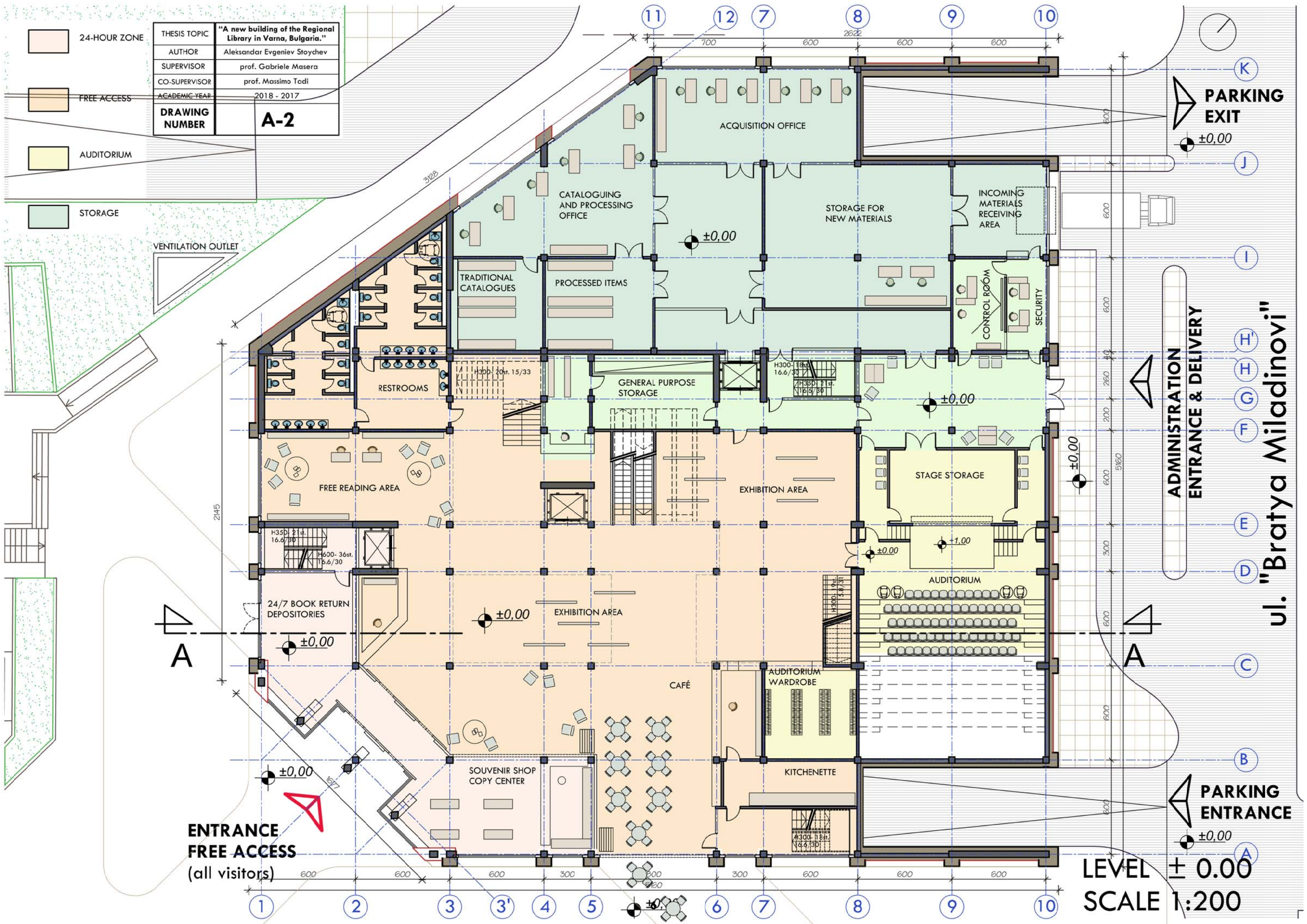
PARKING
ENTRANCE

THESIS TOPIC	"A new building of the Regional Library in Varna, Bulgaria."
AUTHOR	Aleksandar Evgeriev Stoychev
SUPERVISOR	prof. Gabriele Mosera
CO-SUPERVISOR	prof. Massimo Tadi
ACADEMIC YEAR	2018 - 2017
DRAWING NUMBER	A-1

SITE PLAN
SCALE 1:500

THESES TOPIC	"A new building of the Regional Library in Varna, Bulgaria."
AUTHOR	Aleksandar Evgeniev Stoychev
SUPERVISOR	prof. Gabriele Masera
CO-SUPERVISOR	prof. Massimo Tadi
ACADEMIC YEAR	2018 - 2017
DRAWING NUMBER	A-2

-  24-HOUR ZONE
-  FREE ACCESS
-  AUDITORIUM
-  STORAGE



PARKING EXIT
±0,00

ADMINISTRATION ENTRANCE & DELIVERY

ENTRANCE FREE ACCESS
(all visitors)

PARKING ENTRANCE
±0,00

LEVEL ± 0.00
SCALE 1:200

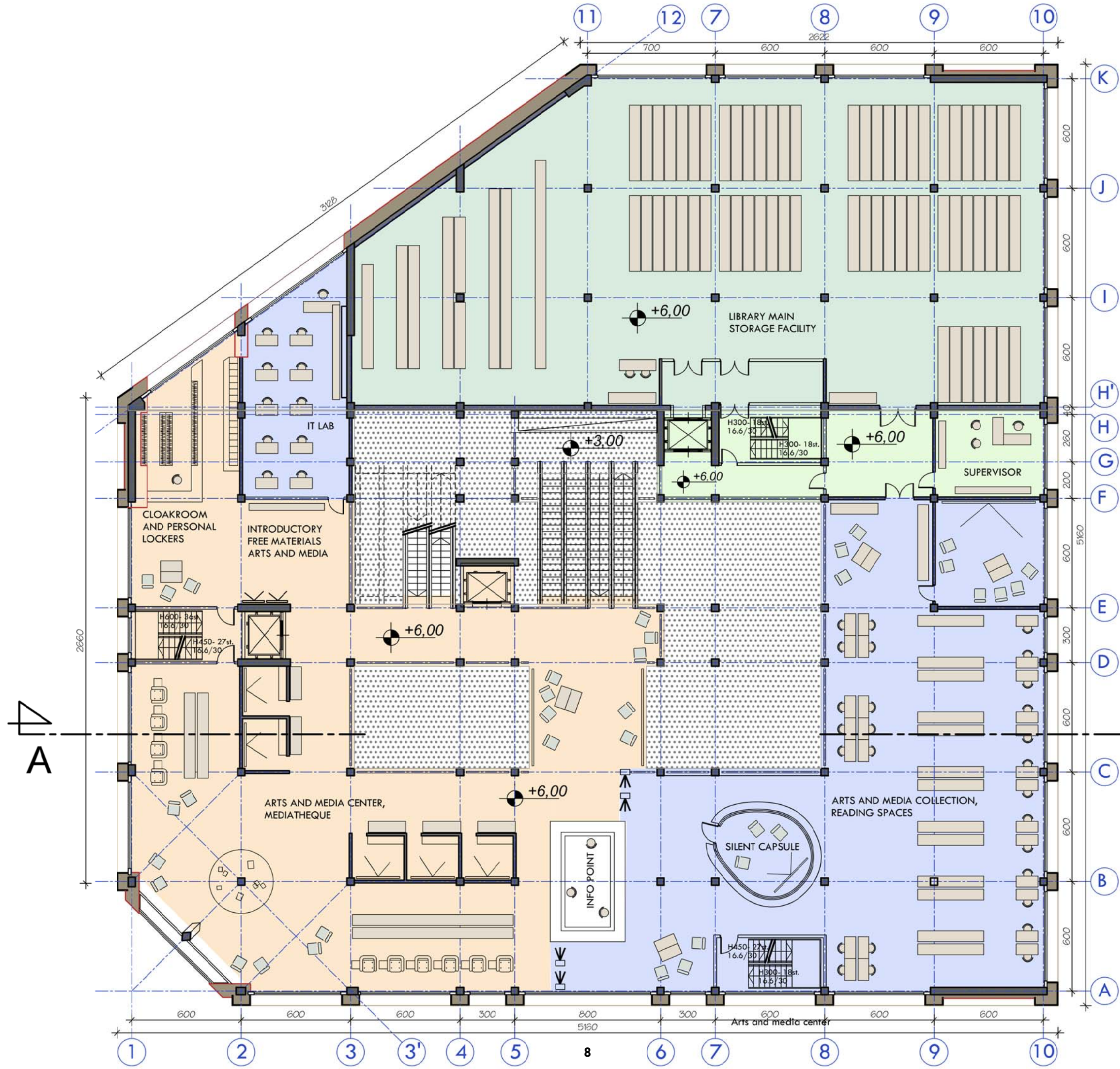
ul. "Bratya Miladinovi"



- FREE ACCESS
- AUDITORIUM
- ADMINISTRATION

THESIS TOPIC	"A new building of the Regional Library in Varna, Bulgaria."
AUTHOR	Aleksandar Evgeniev Stoychev
SUPERVISOR	prof. Gabriele Masera
CO-SUPERVISOR	prof. Massimo Tadi
ACADEMIC YEAR	2018 - 2017
DRAWING NUMBER	A-3

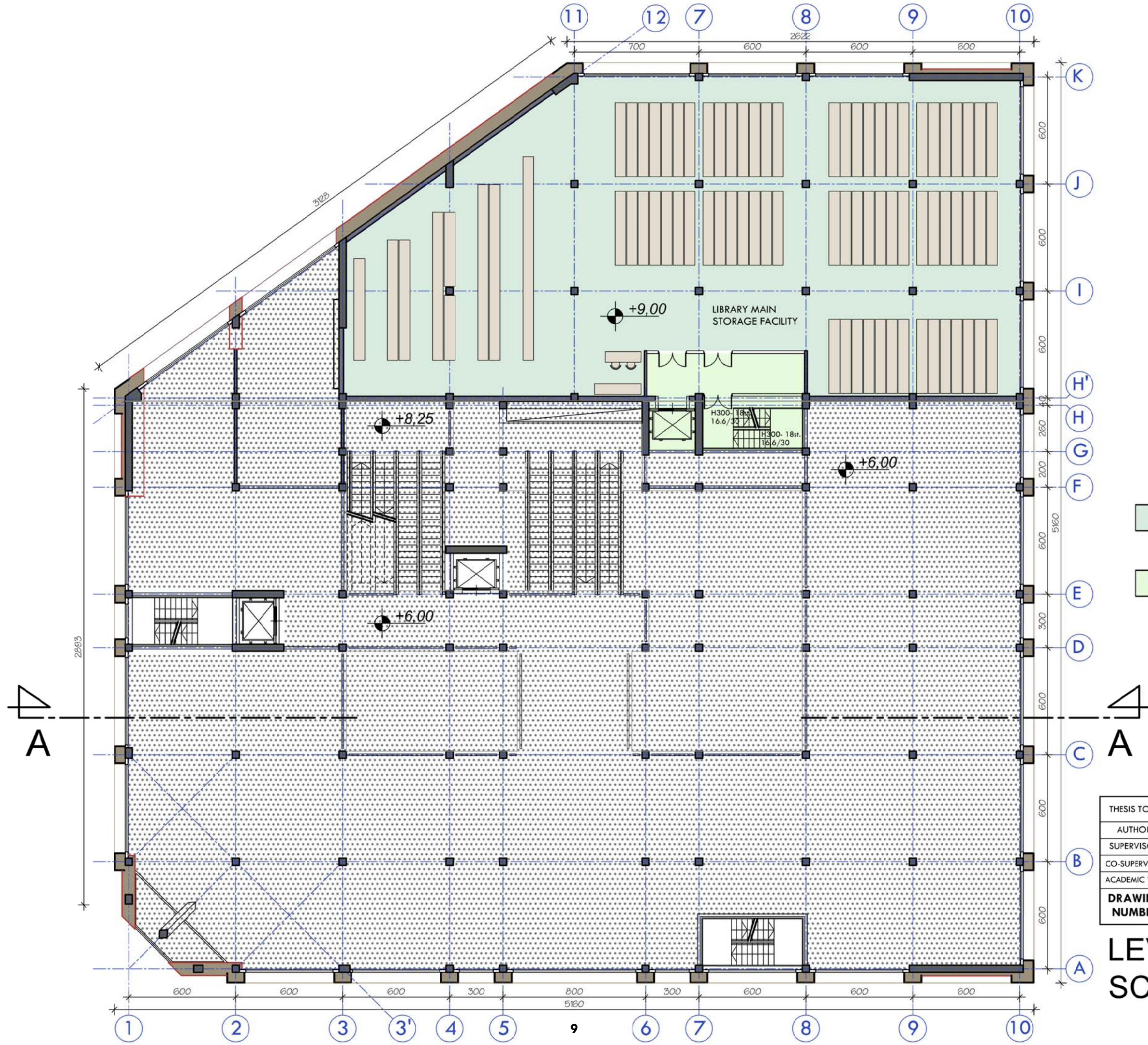
LEVEL +3.00
SCALE 1:200



- FREE ACCESS
- SUBSCRIBERS
- STORAGE
- ADMINISTRATION

THESIS TOPIC	"A new building of the Regional Library in Varna, Bulgaria."
AUTHOR	Aleksandar Evgeniev Stoychev
SUPERVISOR	prof. Gabriele Masera
CO-SUPERVISOR	prof. Massimo Tadi
ACADEMIC YEAR	2018 - 2017
DRAWING NUMBER	A-4

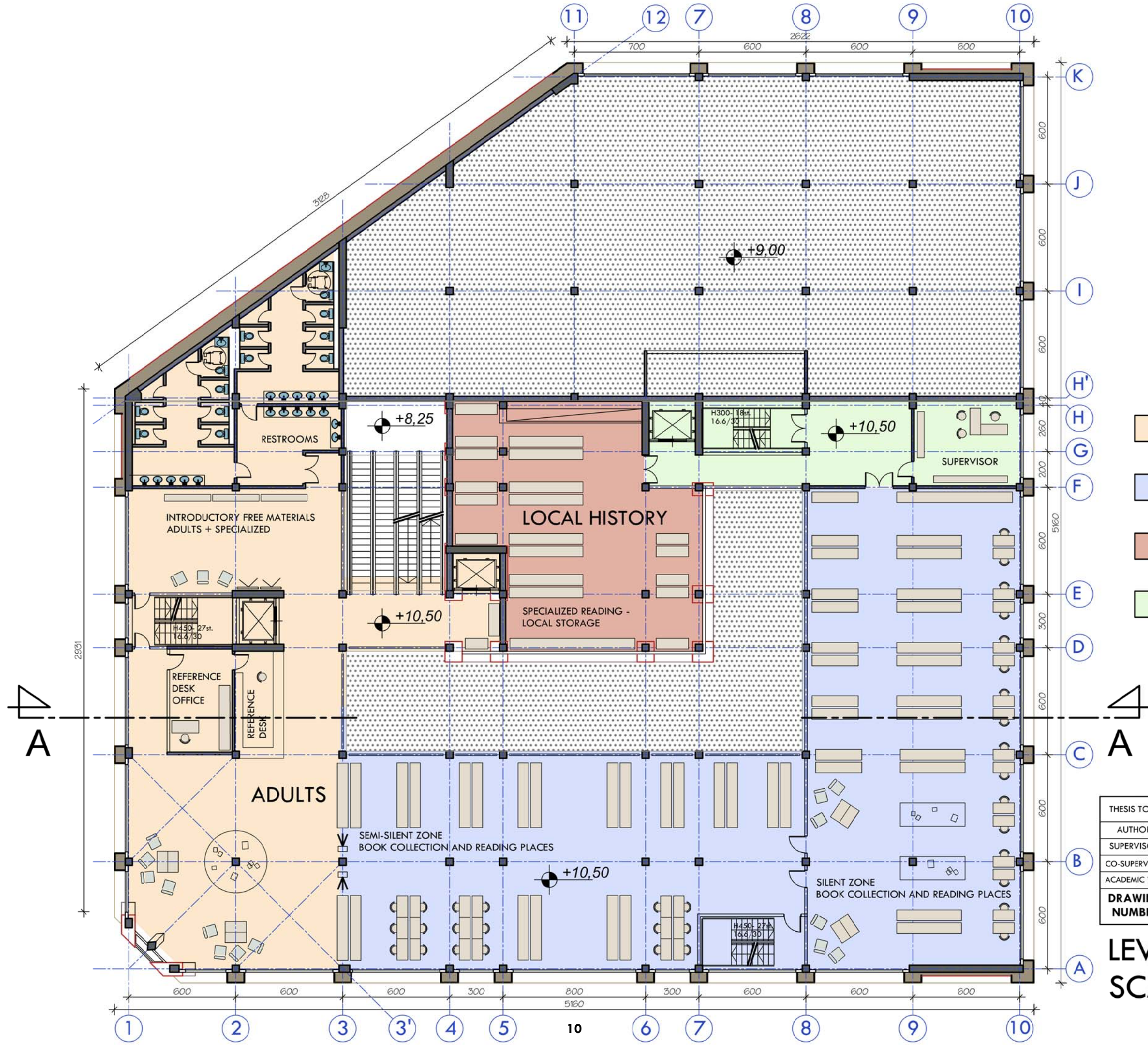
LEVEL +6.00
SCALE 1:200



- STORAGE
- ADMINISTRATION

THESIS TOPIC	"A new building of the Regional Library in Varna, Bulgaria."
AUTHOR	Aleksandar Evgeniev Stoychev
SUPERVISOR	prof. Gabriele Masera
CO-SUPERVISOR	prof. Massimo Tadi
ACADEMIC YEAR	2018 - 2017
DRAWING NUMBER	A-5

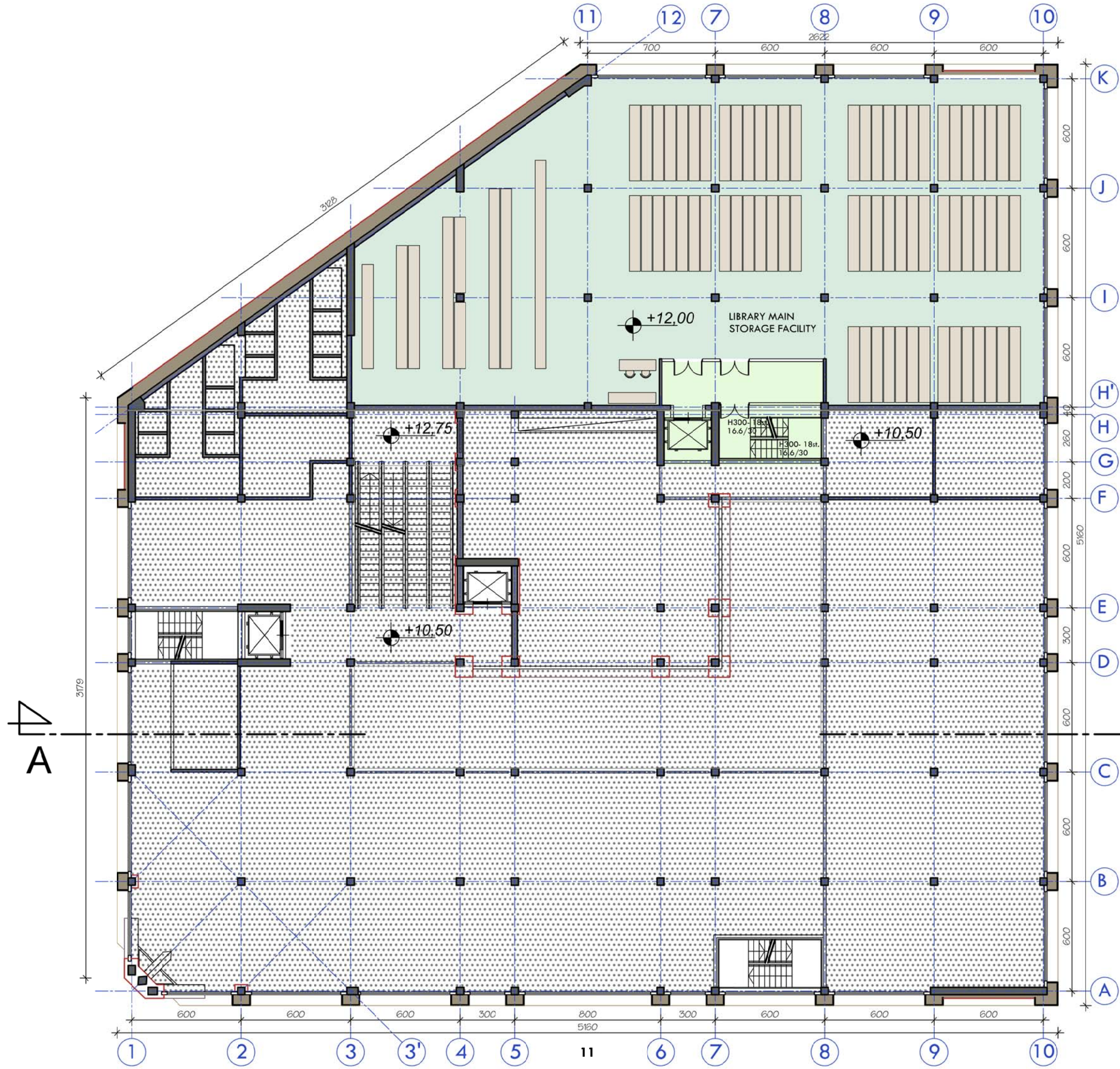
LEVEL +9.00
SCALE 1:200



- FREE ACCESS
- SUBSCRIBERS
- CORE-CUBE
- ADMINISTRATION

THESIS TOPIC	"A new building of the Regional Library in Varna, Bulgaria."
AUTHOR	Aleksandar Evgeniev Stoychev
SUPERVISOR	prof. Gabriele Masera
CO-SUPERVISOR	prof. Massimo Tadi
ACADEMIC YEAR	2018 - 2017
DRAWING NUMBER	A-6

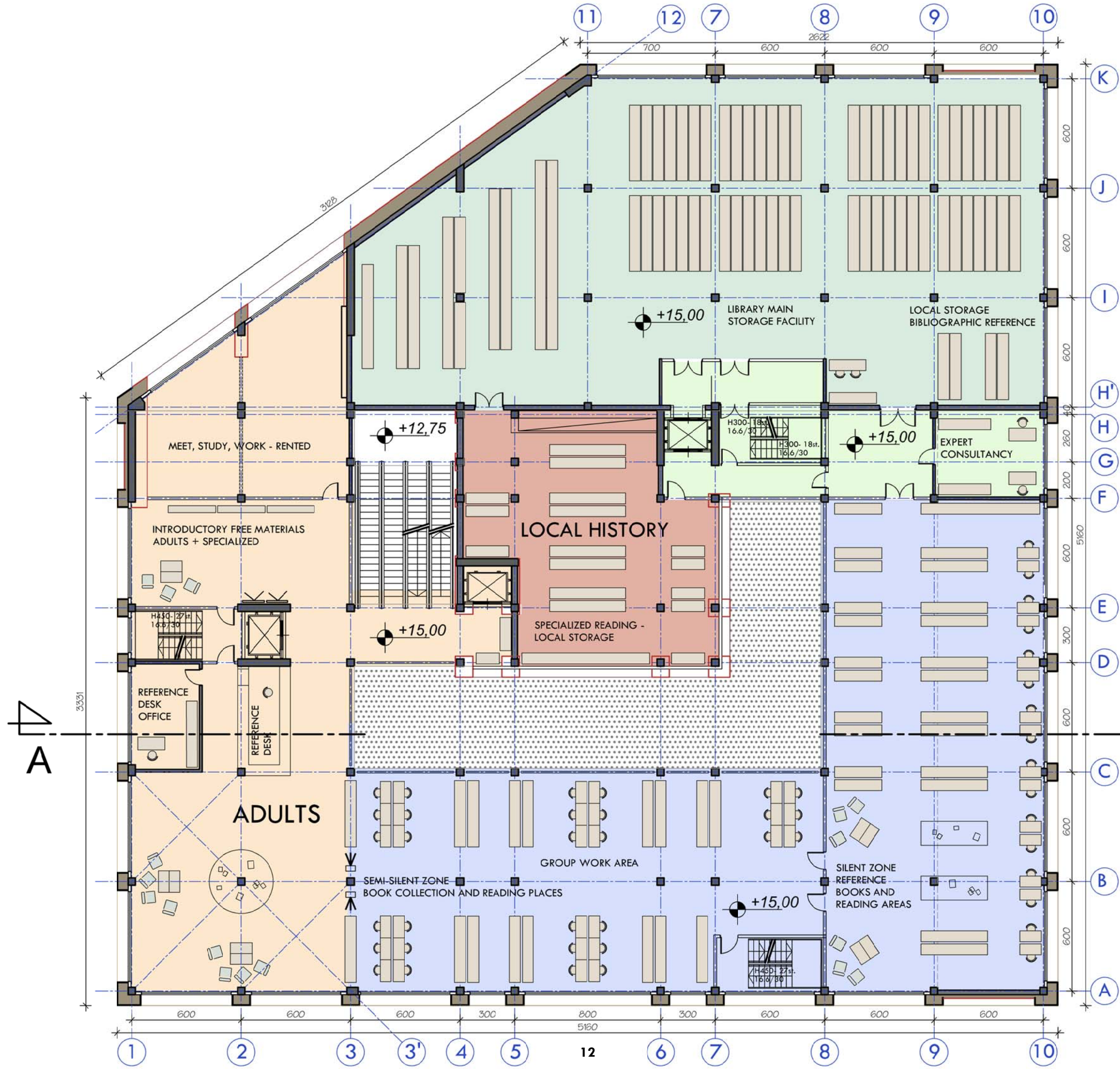
LEVEL +10.50
SCALE 1:200



- STORAGE
- ADMINISTRATION

THESIS TOPIC	"A new building of the Regional Library in Varna, Bulgaria."
AUTHOR	Aleksandar Evgeniev Stoychev
SUPERVISOR	prof. Gabriele Masera
CO-SUPERVISOR	prof. Massimo Tadi
ACADEMIC YEAR	2018 - 2017
DRAWING NUMBER	A-7

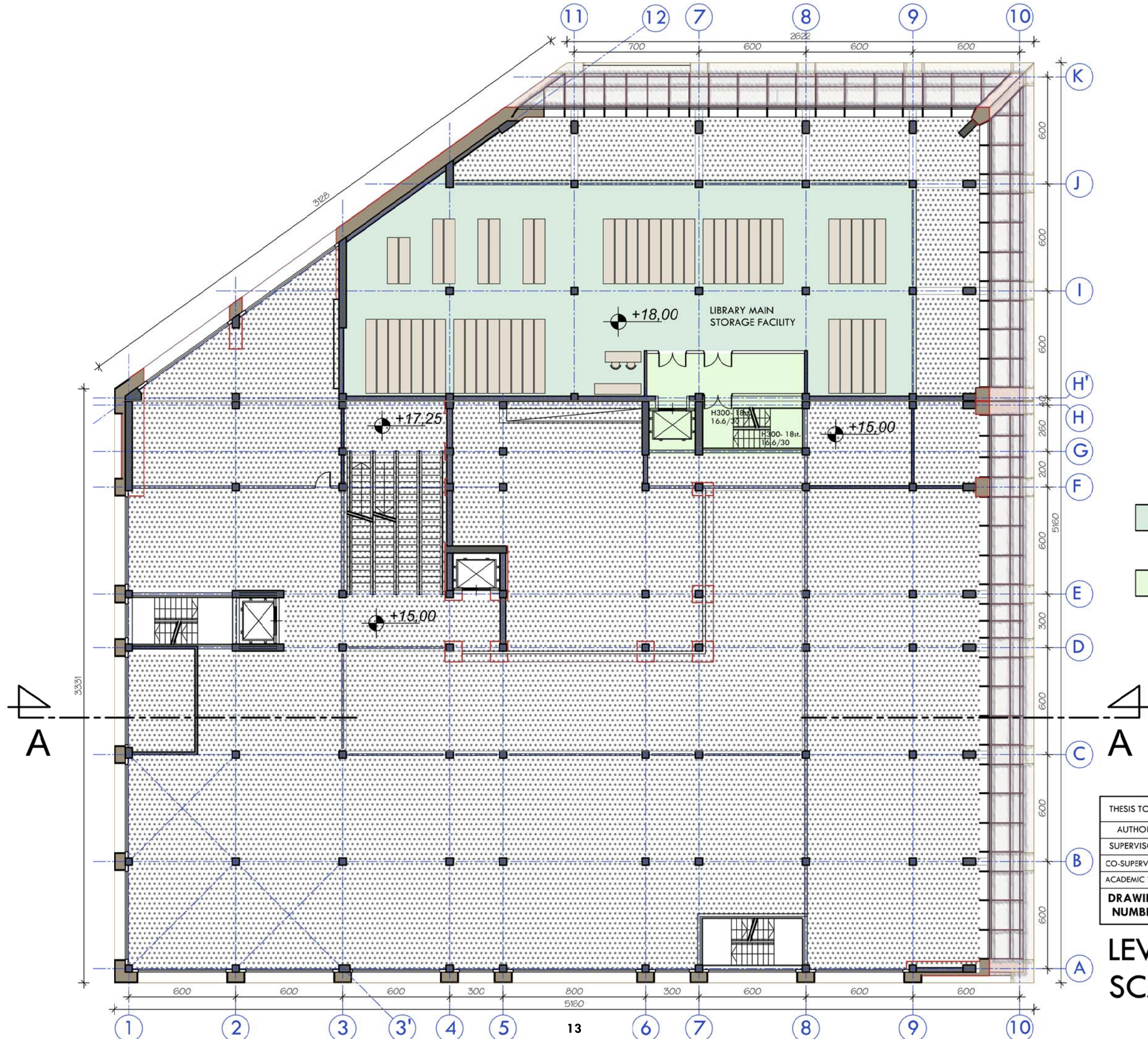
LEVEL +12.00
SCALE 1:200



- FREE ACCESS
- SUBSCRIBERS
- CORE-CUBE
- STORAGE
- ADMINISTRATION

THESIS TOPIC	"A new building of the Regional Library in Varna, Bulgaria."
AUTHOR	Aleksandar Evgeniev Stoychev
SUPERVISOR	prof. Gabriele Masera
CO-SUPERVISOR	prof. Massimo Tadi
ACADEMIC YEAR	2018 - 2017
DRAWING NUMBER	A-8

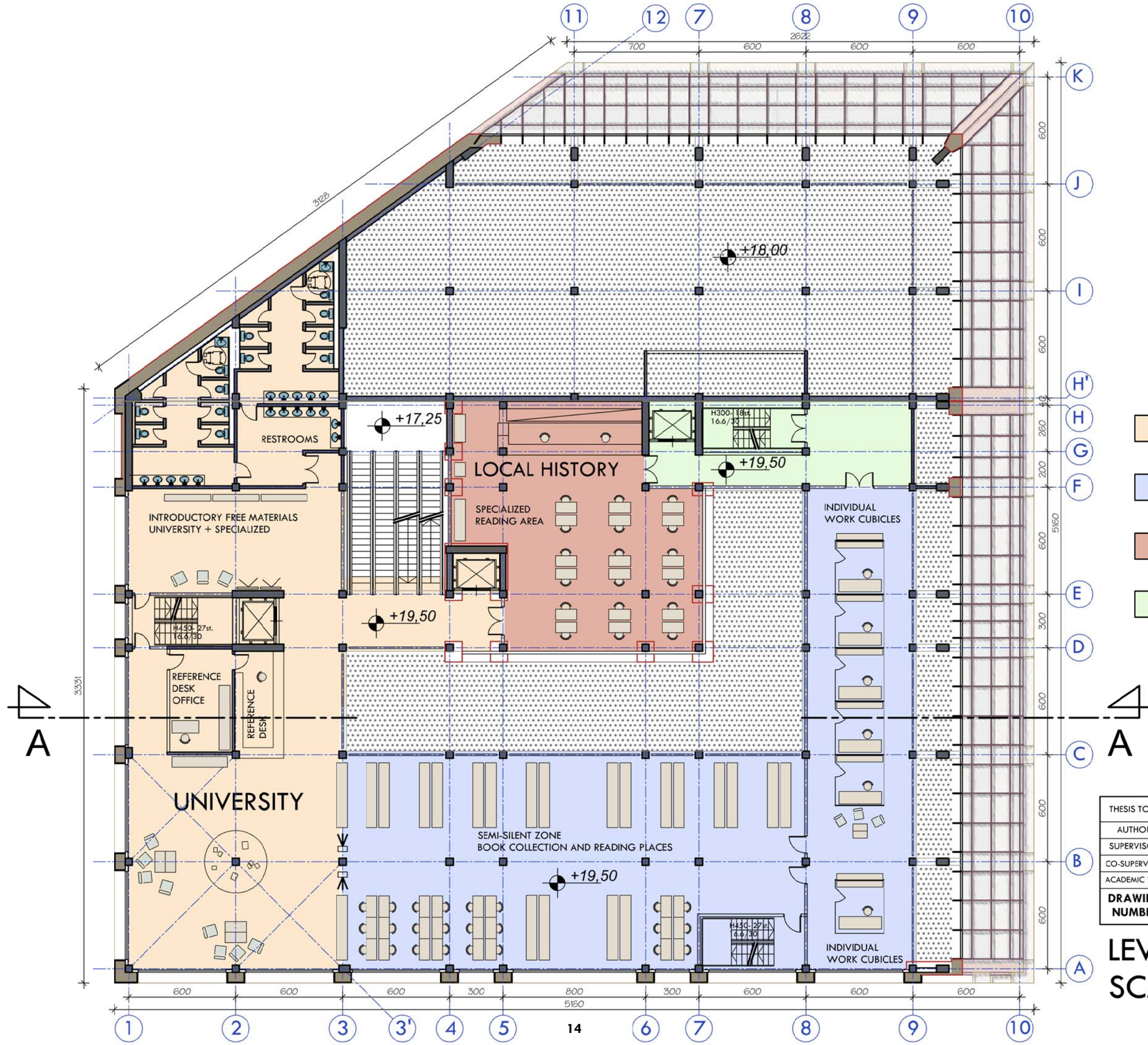
LEVEL +15.00
SCALE 1:200



- STORAGE
- ADMINISTRATION

THESIS TOPIC	"A new building of the Regional Library in Varna, Bulgaria."
AUTHOR	Aleksandar Evgeniev Stoychev
SUPERVISOR	prof. Gabriele Masera
CO-SUPERVISOR	prof. Massimo Tadi
ACADEMIC YEAR	2018 - 2017
DRAWING NUMBER	A-9

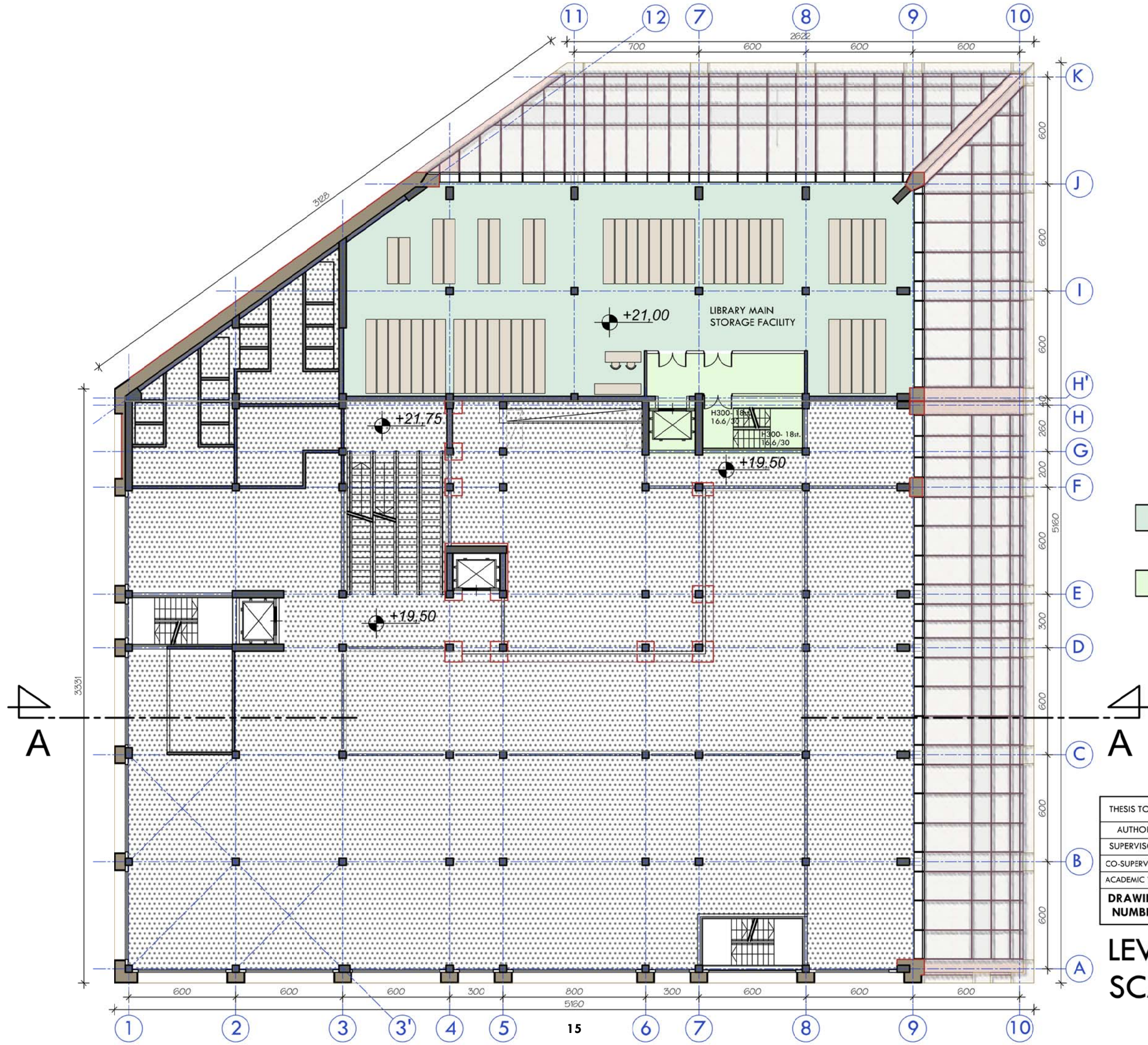
LEVEL +18.00
SCALE 1:200



- FREE ACCESS
- SUBSCRIBERS
- CORE-CUBE
- ADMINISTRATION

THESIS TOPIC	"A new building of the Regional Library in Varna, Bulgaria."
AUTHOR	Aleksandar Evgeniev Stoychev
SUPERVISOR	prof. Gabriele Masera
CO-SUPERVISOR	prof. Massimo Tadi
ACADEMIC YEAR	2018 - 2017
DRAWING NUMBER	A-10

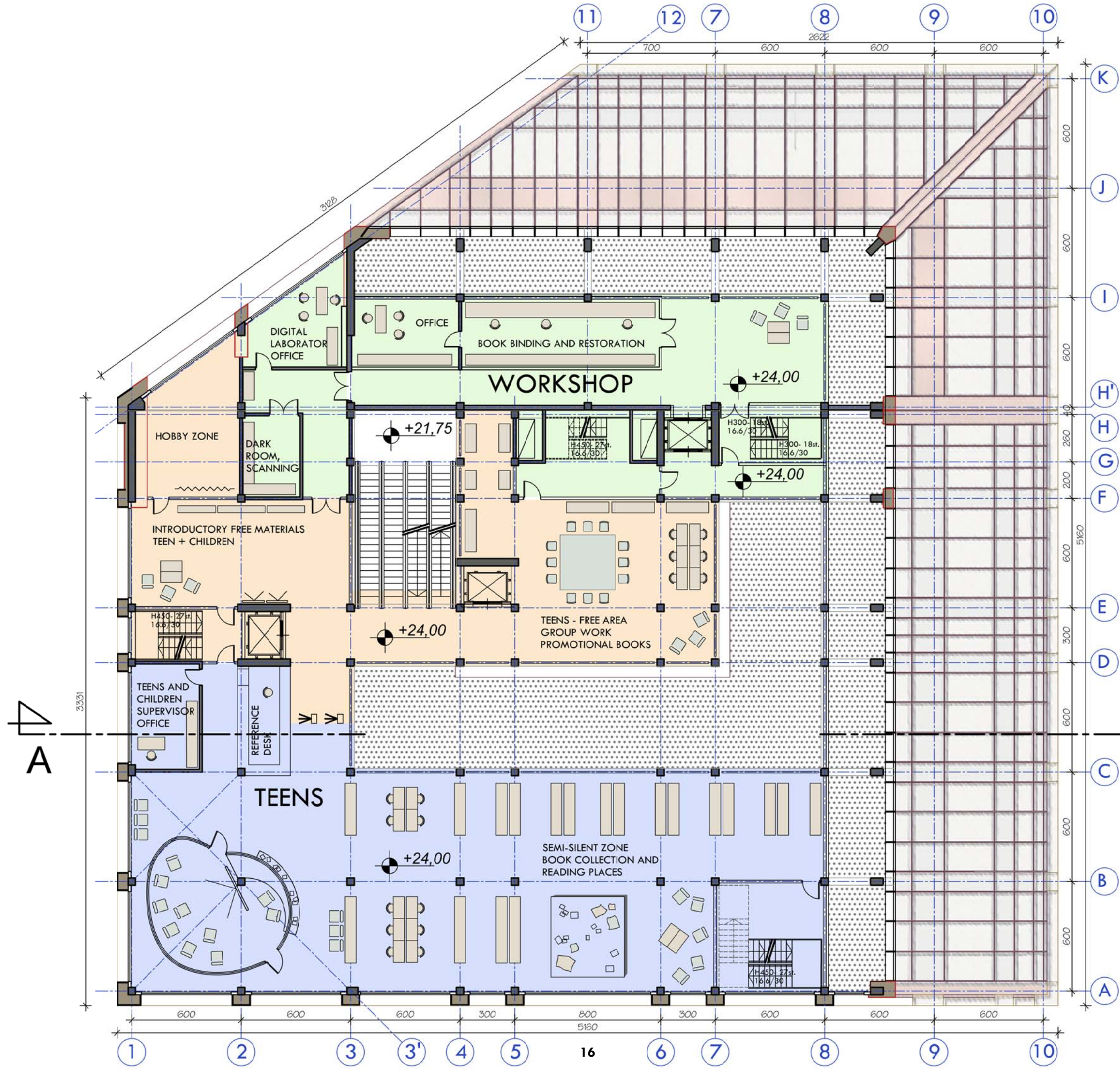
LEVEL +19.50
SCALE 1:200



- STORAGE
- ADMINISTRATION

THESIS TOPIC	"A new building of the Regional Library in Varna, Bulgaria."
AUTHOR	Aleksandar Evgeniev Stoychev
SUPERVISOR	prof. Gabriele Masera
CO-SUPERVISOR	prof. Massimo Tadi
ACADEMIC YEAR	2018 - 2017
DRAWING NUMBER	A-11

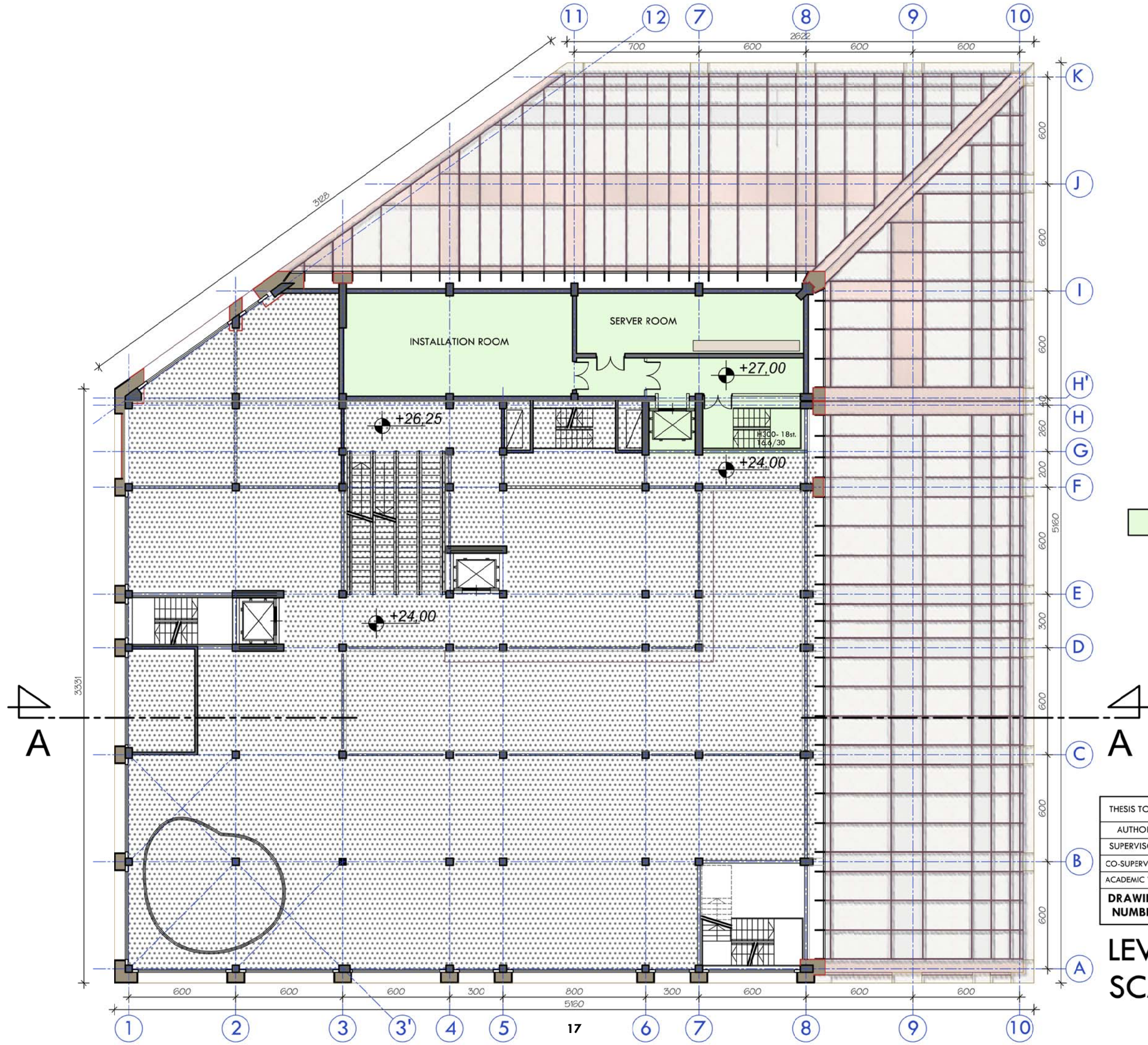
LEVEL +21.00
SCALE 1:200



- FREE ACCESS
- SUBSCRIBERS
- WORKSHOP

THESIS TOPIC	"A new building of the Regional Library in Varna, Bulgaria."
AUTHOR	Aleksandar Evgeniev Stoychev
SUPERVISOR	prof. Gabriele Masera
CO-SUPERVISOR	prof. Massimo Tadi
ACADEMIC YEAR	2018 - 2017
DRAWING NUMBER	A-12

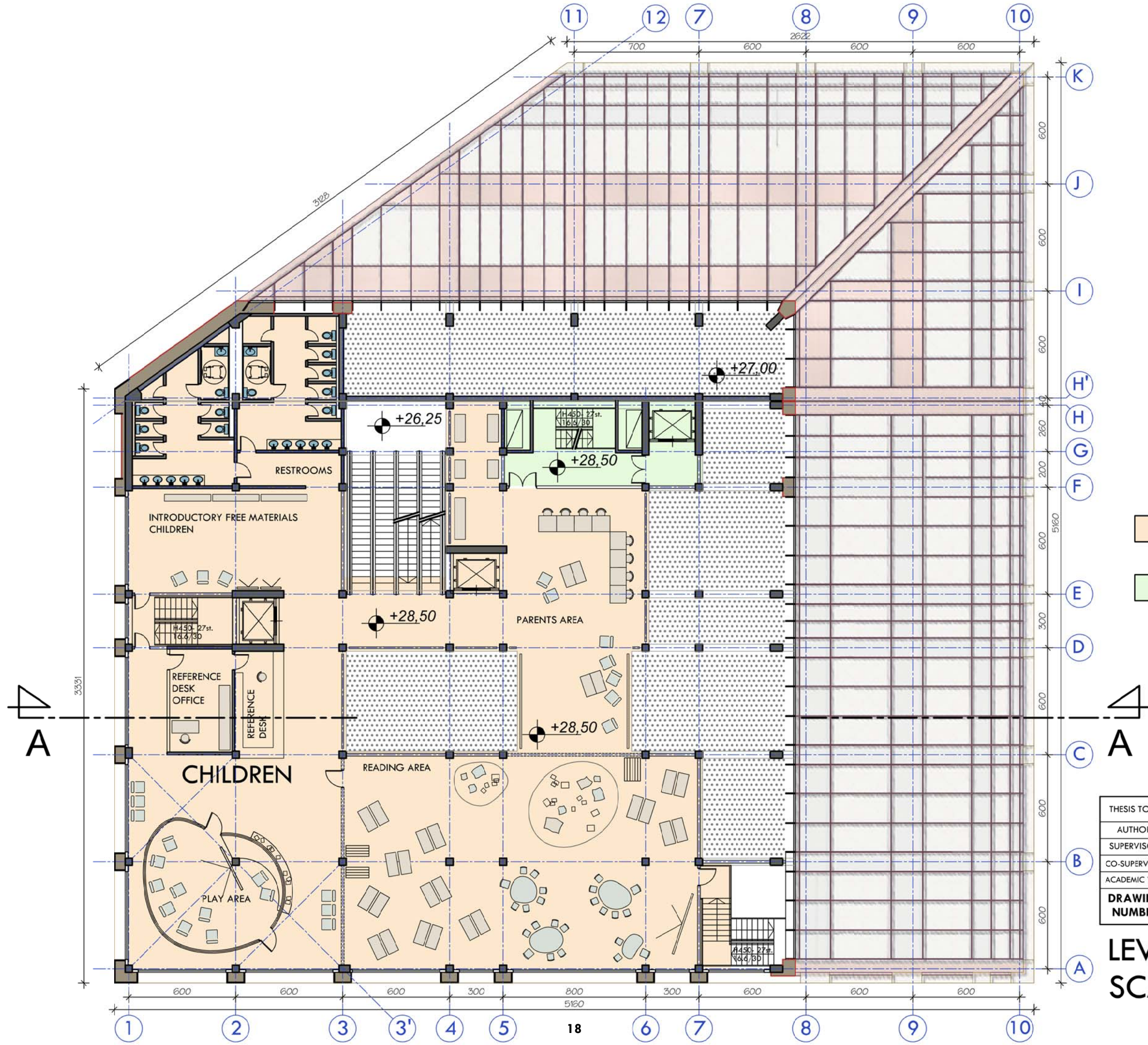
LEVEL +24.00
SCALE 1:200



TECHNICAL ROOMS

THESIS TOPIC	"A new building of the Regional Library in Varna, Bulgaria."
AUTHOR	Aleksandar Evgeniev Stoychev
SUPERVISOR	prof. Gabriele Masera
CO-SUPERVISOR	prof. Massimo Tadi
ACADEMIC YEAR	2018 - 2017
DRAWING NUMBER	A-13

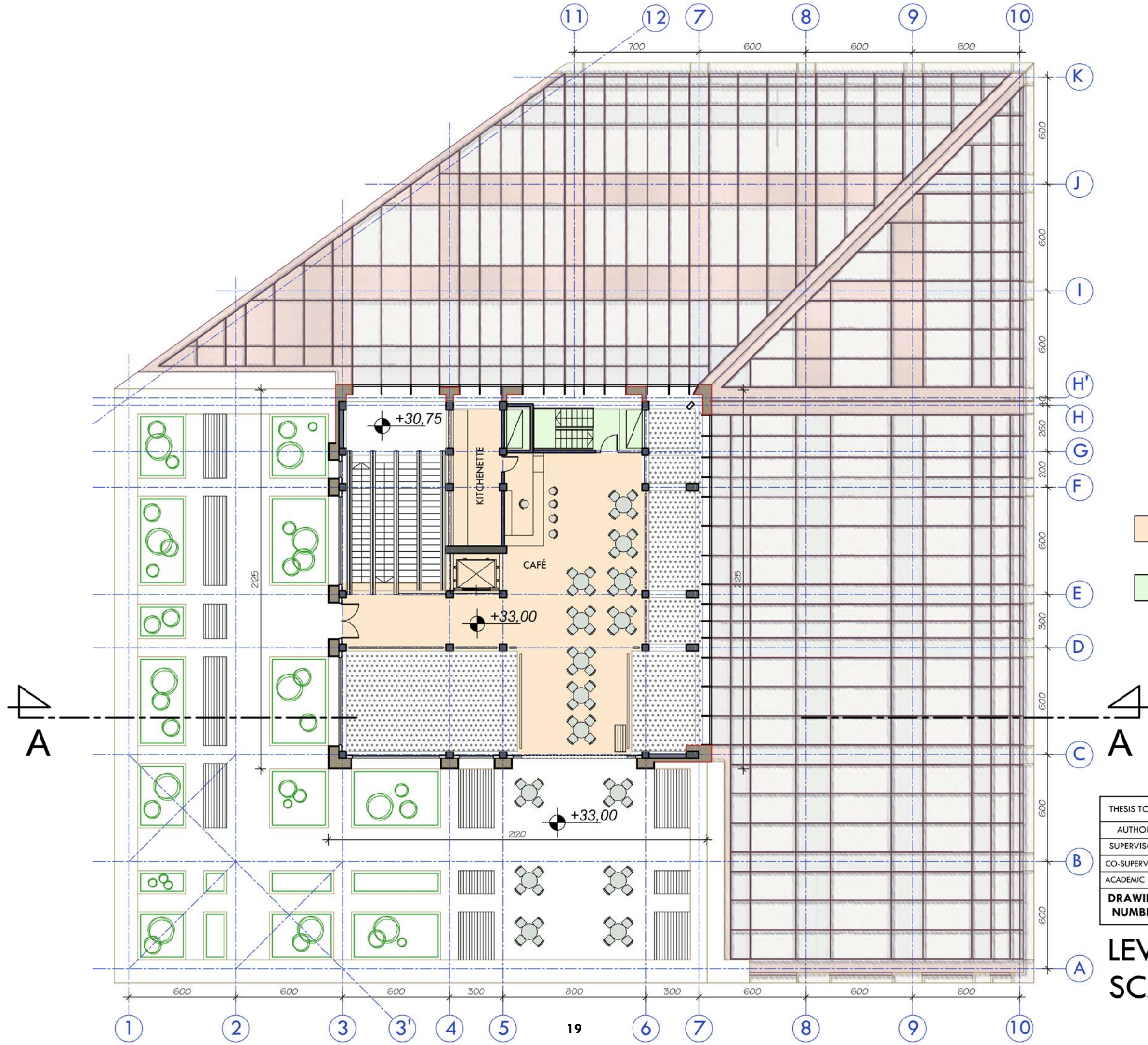
LEVEL +27.00
SCALE 1:200



- FREE ACCESS
- ADMINISTRATION

THESIS TOPIC	"A new building of the Regional Library in Varna, Bulgaria."
AUTHOR	Aleksandar Evgeniev Stoychev
SUPERVISOR	prof. Gabriele Masera
CO-SUPERVISOR	prof. Massimo Tadi
ACADEMIC YEAR	2018 - 2017
DRAWING NUMBER	A-14

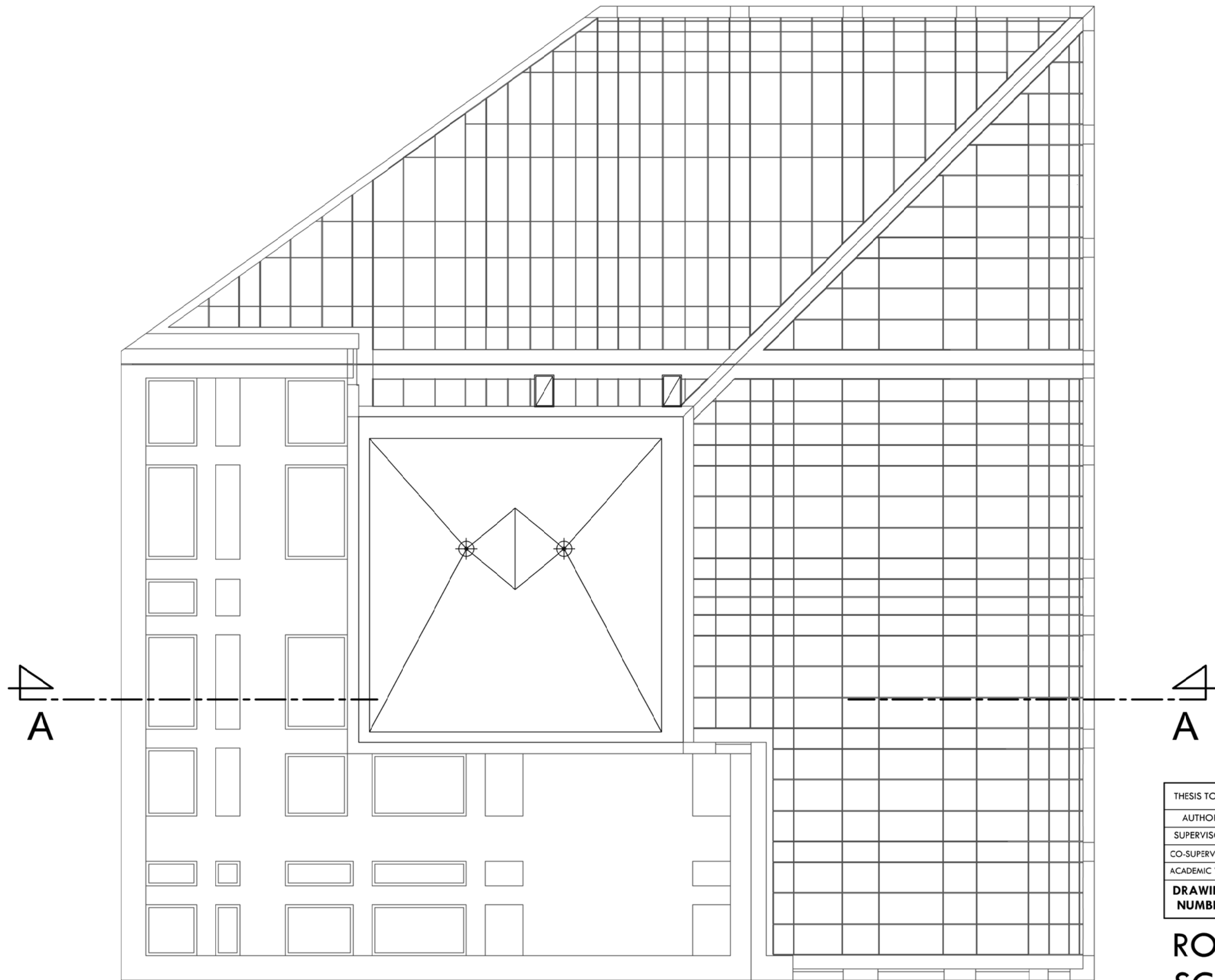
LEVEL +28.50
SCALE 1:200



- FREE ACCESS
- ADMINISTRATION

THESIS TOPIC	"A new building of the Regional Library in Varna, Bulgaria."
AUTHOR	Aleksandar Evgeniev Stoychev
SUPERVISOR	prof. Gabriele Masera
CO-SUPERVISOR	prof. Massimo Tadi
ACADEMIC YEAR	2018 - 2017
DRAWING NUMBER	A-15

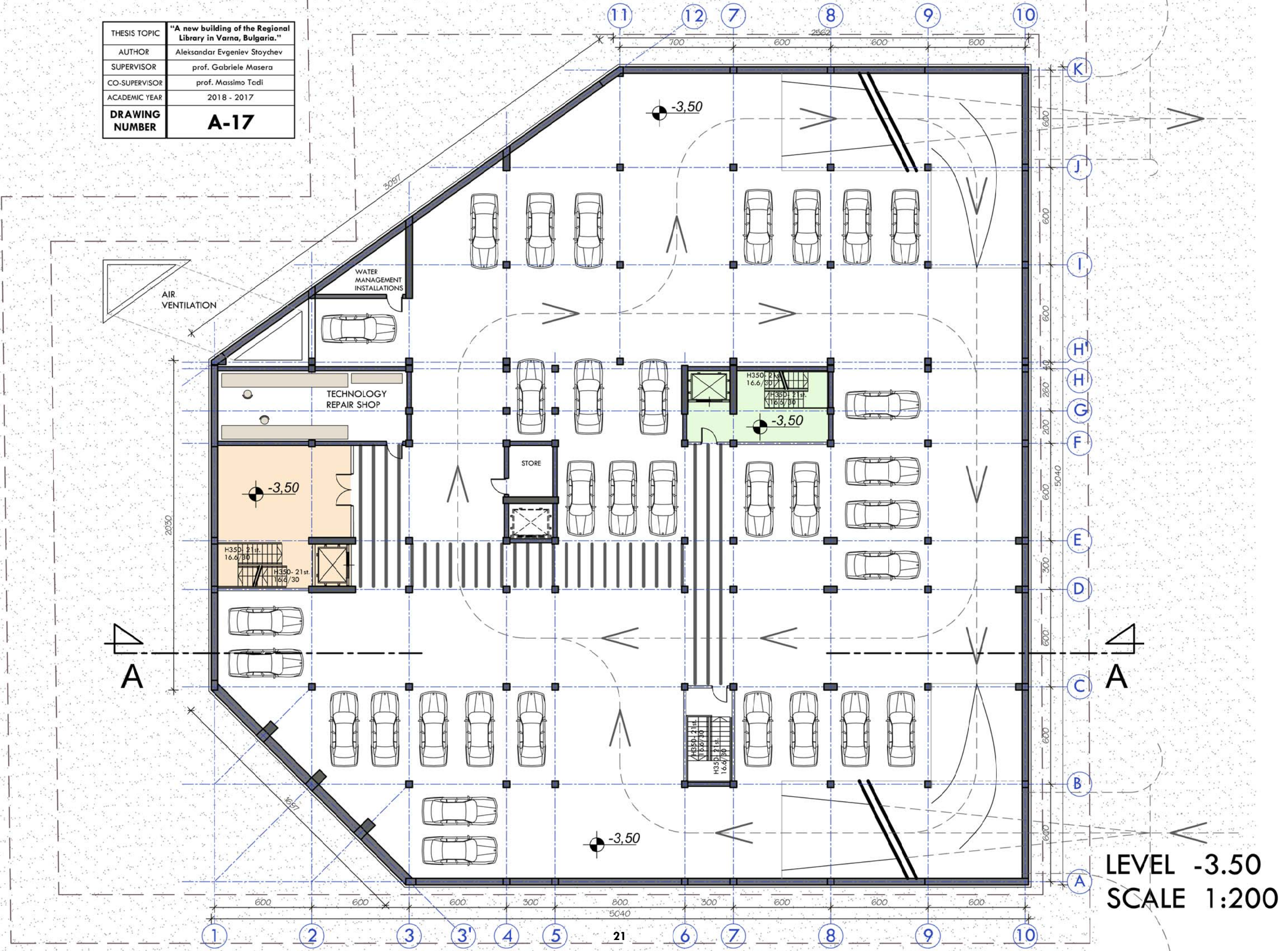
LEVEL +33.00
SCALE 1:200



THESIS TOPIC	"A new building of the Regional Library in Varna, Bulgaria."
AUTHOR	Aleksandar Evgeniev Stoychev
SUPERVISOR	prof. Gabriele Masera
CO-SUPERVISOR	prof. Massimo Tadi
ACADEMIC YEAR	2018 - 2017
DRAWING NUMBER	A-16

ROOF PLAN
SCALE 1:200

THESIS TOPIC	"A new building of the Regional Library in Varna, Bulgaria."
AUTHOR	Aleksandar Evgeniev Stoychev
SUPERVISOR	prof. Gabriele Masera
CO-SUPERVISOR	prof. Massimo Tadi
ACADEMIC YEAR	2018 - 2017
DRAWING NUMBER	A-17

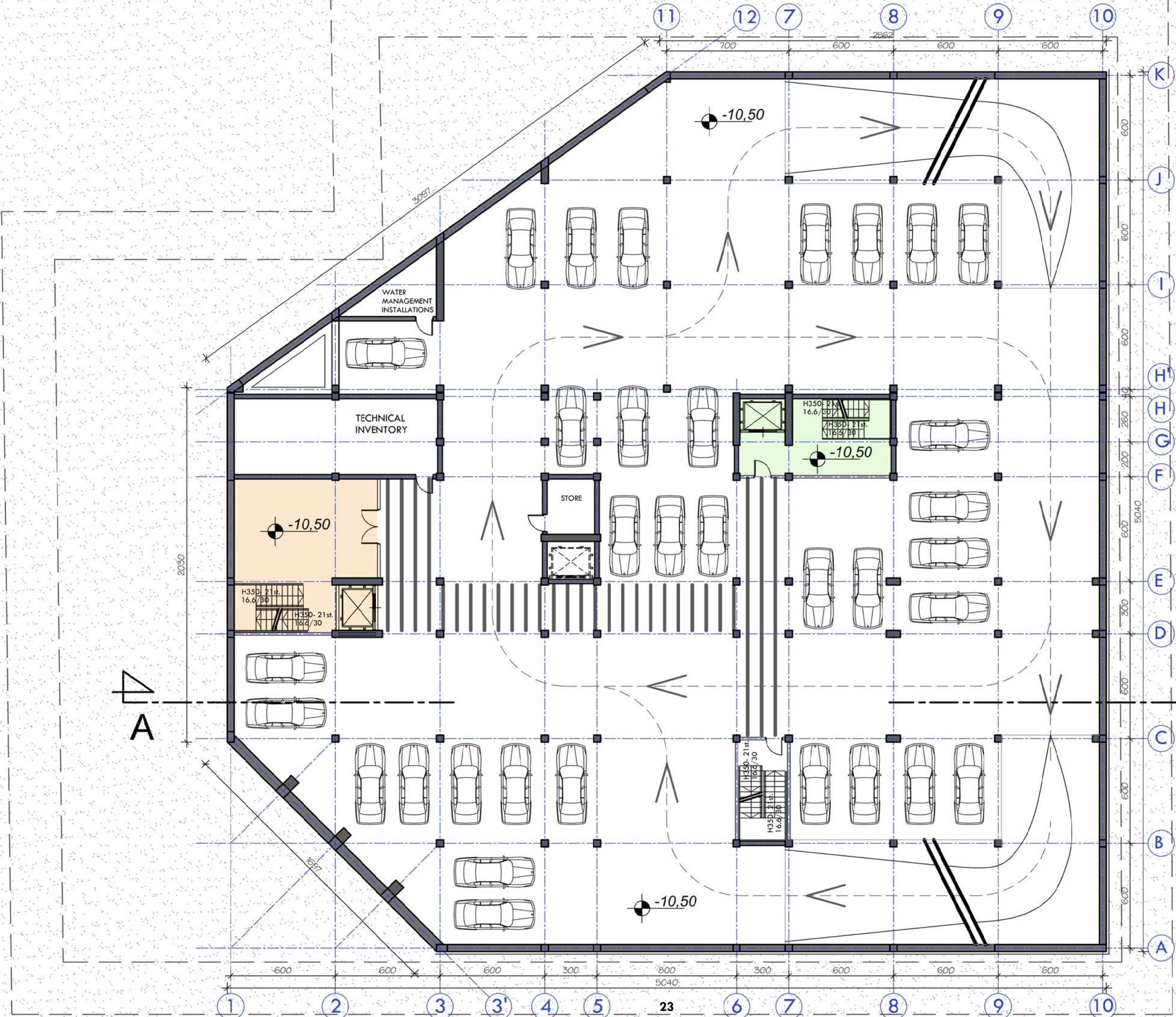


LEVEL -3.50
SCALE 1:200



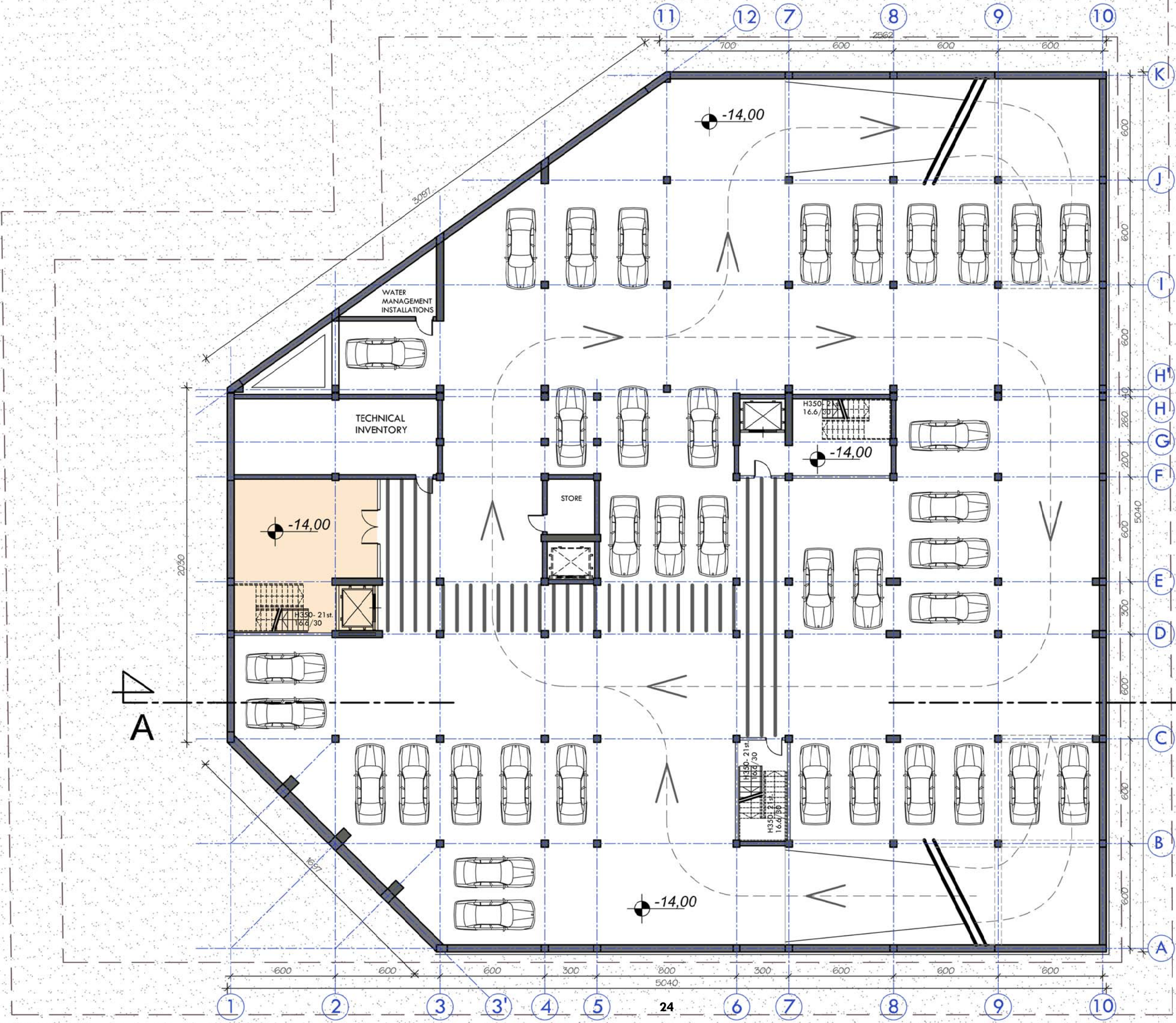
THESIS TOPIC	"A new building of the Regional Library in Varna, Bulgaria."
AUTHOR	Aleksandar Evgeniev Stoychev
SUPERVISOR	prof. Gabriele Masera
CO-SUPERVISOR	prof. Massimo Tadi
ACADEMIC YEAR	2018 - 2017
DRAWING NUMBER	A-18

LEVEL -7.00
SCALE 1:200



THESIS TOPIC	"A new building of the Regional Library in Varna, Bulgaria."
AUTHOR	Aleksandar Evgeniev Stoychev
SUPERVISOR	prof. Gabriele Masera
CO-SUPERVISOR	prof. Massimo Tadi
ACADEMIC YEAR	2018 - 2017
DRAWING NUMBER	A-19

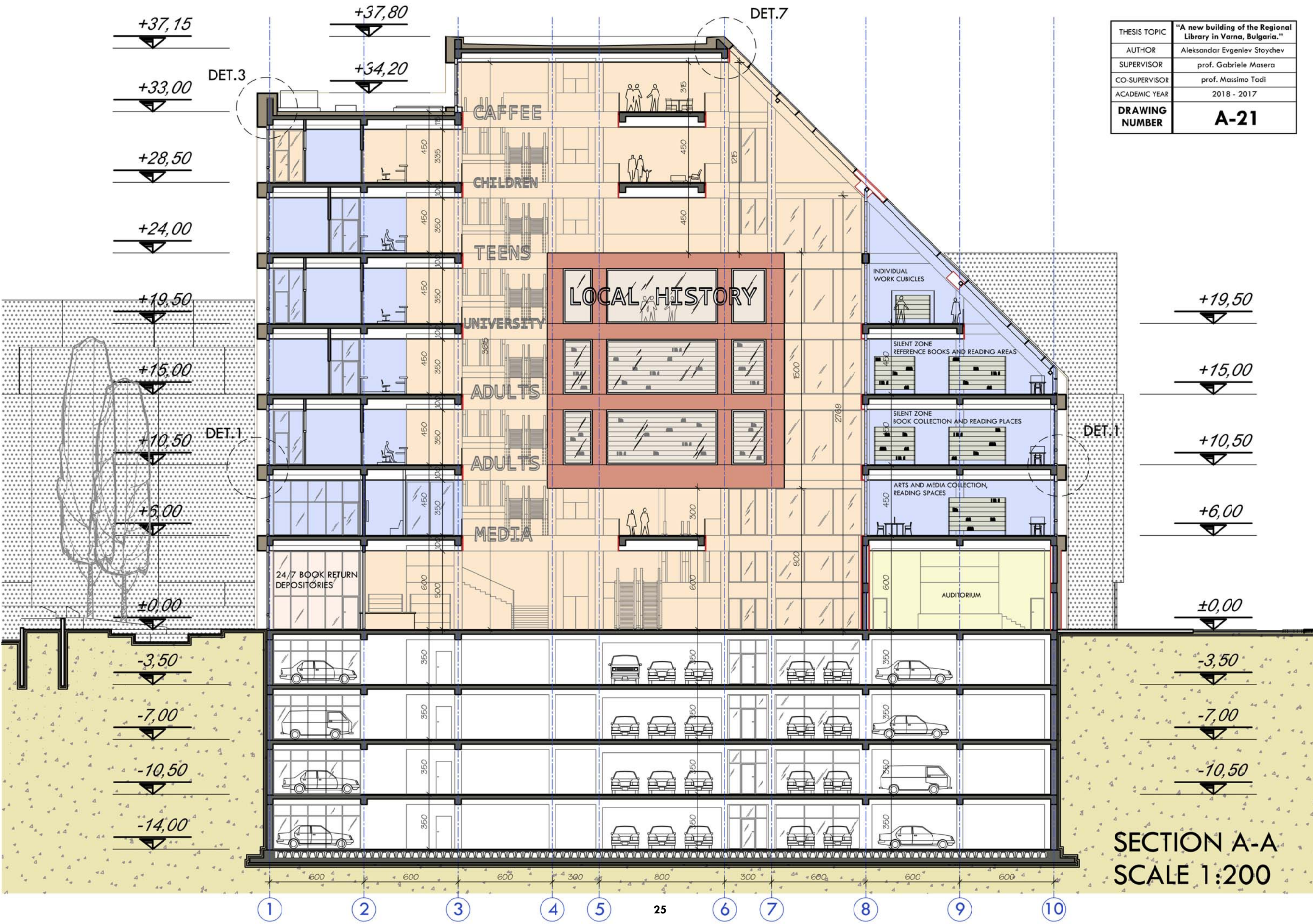
LEVEL -10.50
SCALE 1:200



THESIS TOPIC	"A new building of the Regional Library in Varna, Bulgaria."
AUTHOR	Aleksandar Evgeniev Stoychev
SUPERVISOR	prof. Gabriele Masera
CO-SUPERVISOR	prof. Massimo Tadi
ACADEMIC YEAR	2018 - 2017
DRAWING NUMBER	A-20

LEVEL -14.00
SCALE 1:200

THESIS TOPIC	"A new building of the Regional Library in Varna, Bulgaria."
AUTHOR	Aleksandar Evgeniev Stoychev
SUPERVISOR	prof. Gabriele Masera
CO-SUPERVISOR	prof. Massimo Tadi
ACADEMIC YEAR	2018 - 2017
DRAWING NUMBER	A-21



SECTION A-A
SCALE 1:200

THESIS TOPIC	"A new building of the Regional Library in Varna, Bulgaria."
AUTHOR	Aleksandar Evgenlev Stoychev
SUPERVISOR	prof. Gabriele Masera
CO-SUPERVISOR	prof. Massimo Tadi
ACADEMIC YEAR	2018 - 2017
DRAWING NUMBER	A-22

SCALE 1:200



**SOUTH-EAST
FACADE**

THESIS TOPIC	"A new building of the Regional Library in Varna, Bulgaria."
AUTHOR	Aleksandar Evgeniev Stoychev
SUPERVISOR	prof. Gabriele Masera
CO-SUPERVISOR	prof. Massimo Tadi
ACADEMIC YEAR	2018 - 2017
DRAWING NUMBER	A-23

SCALE 1:200

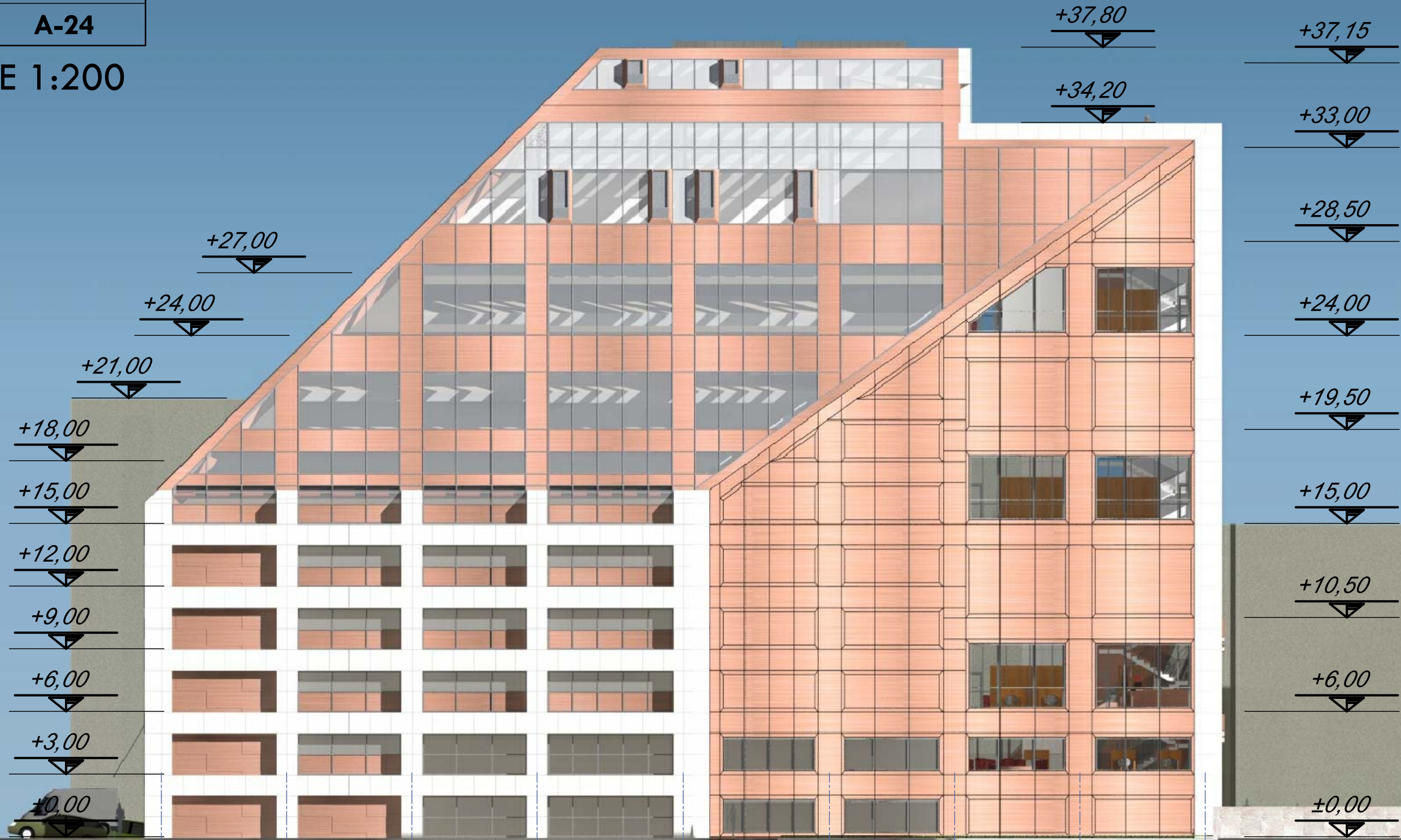


(A) (B) (C) (D) (E) (F) (G) (H) (H') (I) (J) (K)

**NORTH-EAST
FACADE**

THESIS TOPIC	"A new building of the Regional Library in Varna, Bulgaria."
AUTHOR	Aleksandar Evgeniev Stoychev
SUPERVISOR	prof. Gabriele Masera
CO-SUPERVISOR	prof. Massimo Tadi
ACADEMIC YEAR	2018 - 2017
DRAWING NUMBER	A-24

SCALE 1:200



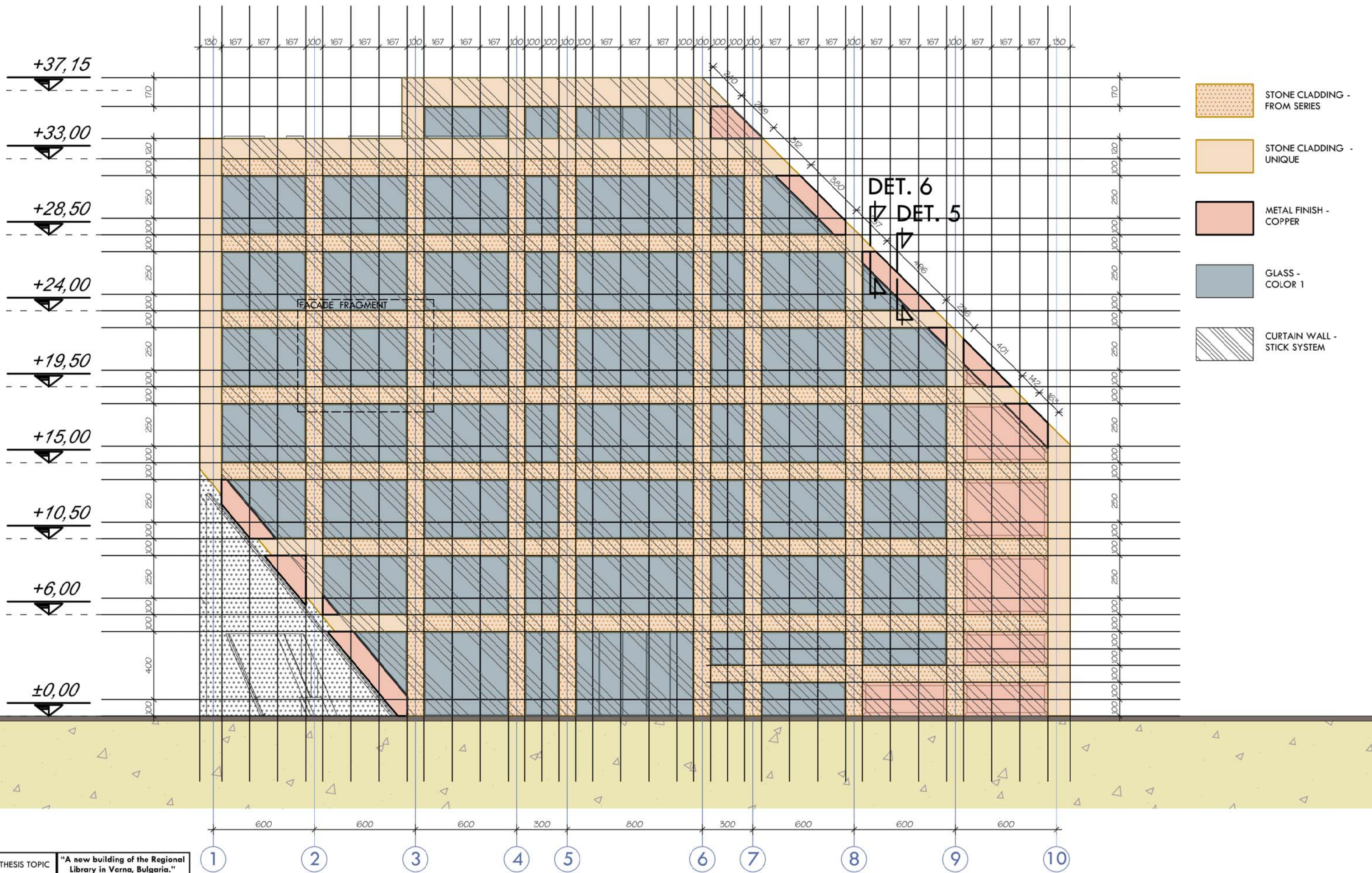
**NORTH-WEST
FACADE**

THESIS TOPIC	"A new building of the Regional Library in Varna, Bulgaria."
AUTHOR	Aleksandar Evgeniev Stoychev
SUPERVISOR	prof. Gabriele Masera
CO-SUPERVISOR	prof. Massimo Tadi
ACADEMIC YEAR	2018 - 2017
DRAWING NUMBER	A-25

SCALE 1:200

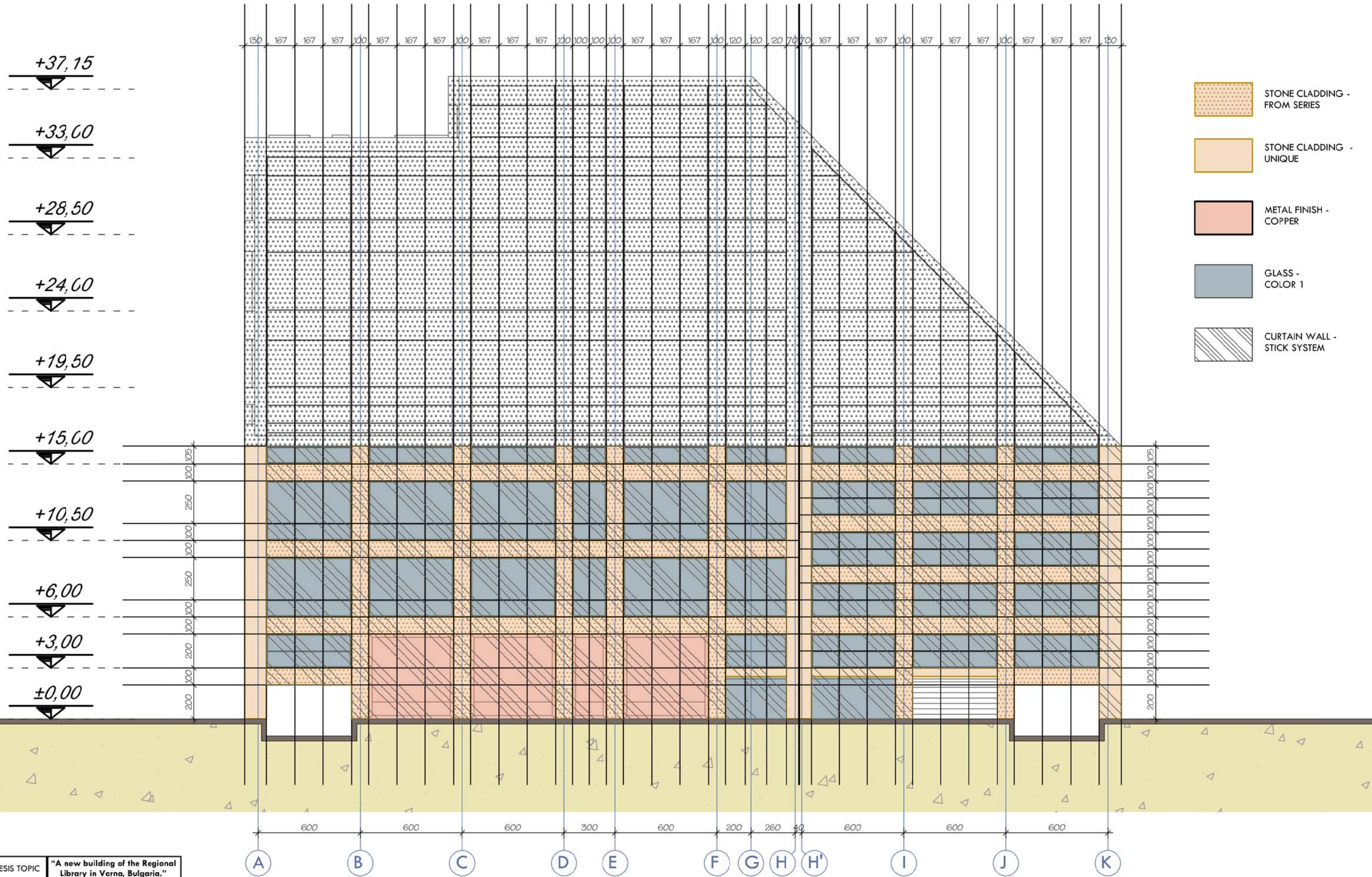


**SOUTH-WEST
FACADE**



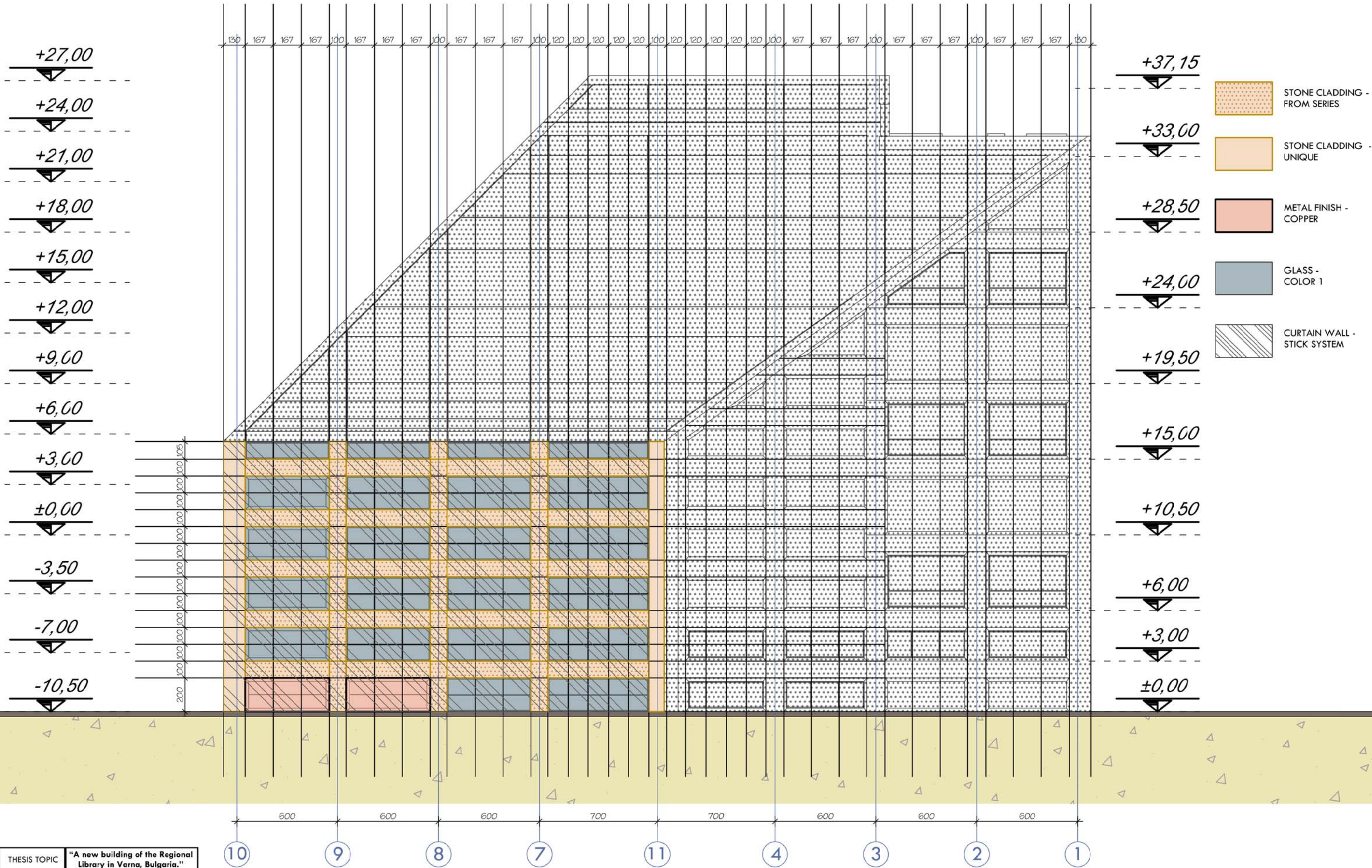
THESIS TOPIC	"A new building of the Regional Library in Varna, Bulgaria."
AUTHOR	Aleksandar Evgeniev Stoychev
SUPERVISOR	prof. Gabriele Masera
CO-SUPERVISOR	prof. Massimo Tadi
ACADEMIC YEAR	2018 - 2017
DRAWING NUMBER	A-26

SOUTH-EAST FACADE
FACADE COORDINATION; SCALE 1:200



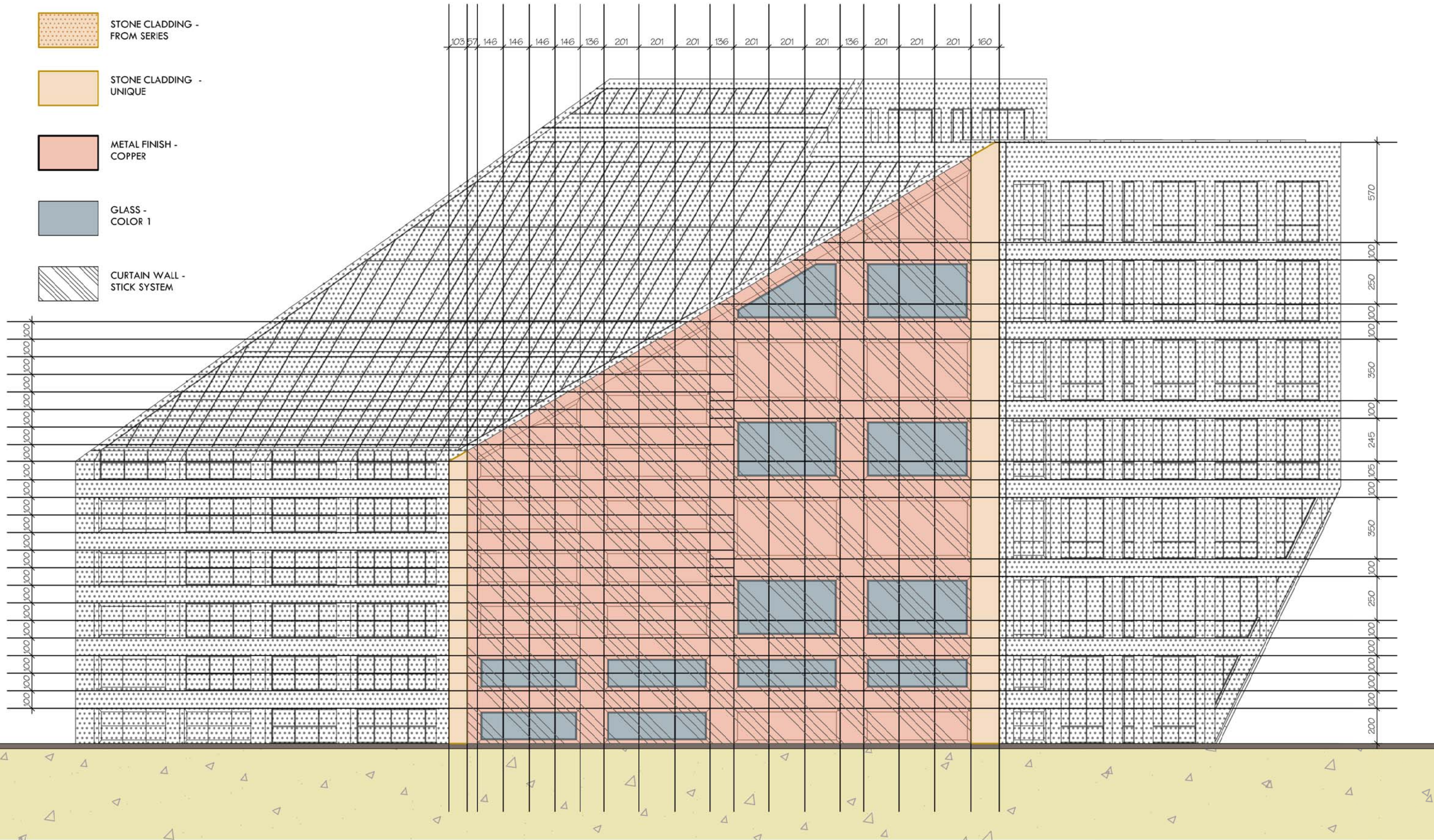
THESIS TOPIC	"A new building of the Regional Library in Varna, Bulgaria."
AUTHOR	Aleksandar Evgeniev Stoychev
SUPERVISOR	prof. Gabriele Masera
CO-SUPERVISOR	prof. Massimo Tadi
ACADEMIC YEAR	2018 - 2017
DRAWING NUMBER	A-27

NORTH-EAST FACADE
FACADE COORDINATION; SCALE 1:200



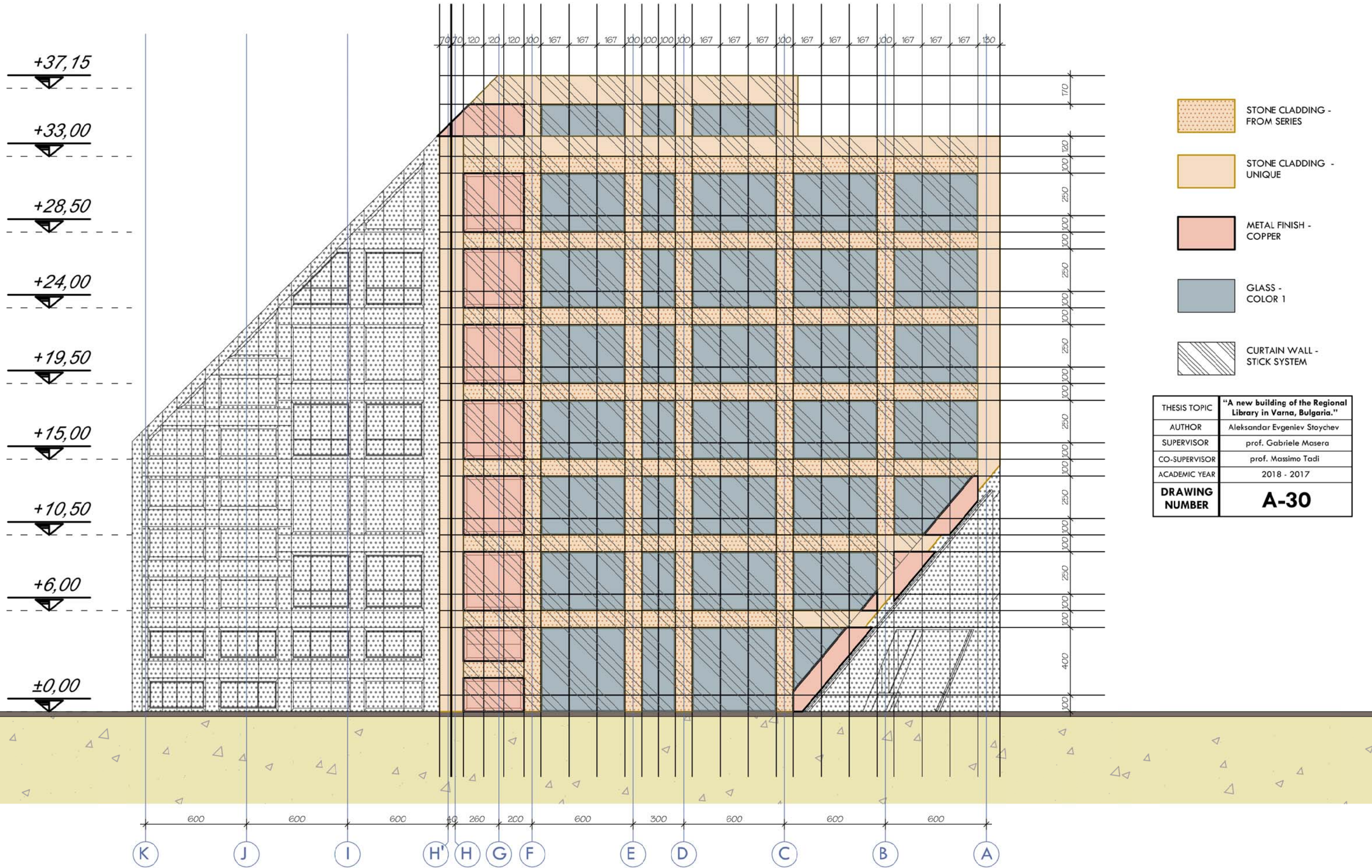
THESIS TOPIC	"A new building of the Regional Library in Varna, Bulgaria."
AUTHOR	Aleksandar Evgeniev Stoychev
SUPERVISOR	prof. Gabriele Masera
CO-SUPERVISOR	prof. Massimo Tadi
ACADEMIC YEAR	2018 - 2017
DRAWING NUMBER	A-28

NORTH-WEST FACADE
FACADE COORDINATION; SCALE 1:200

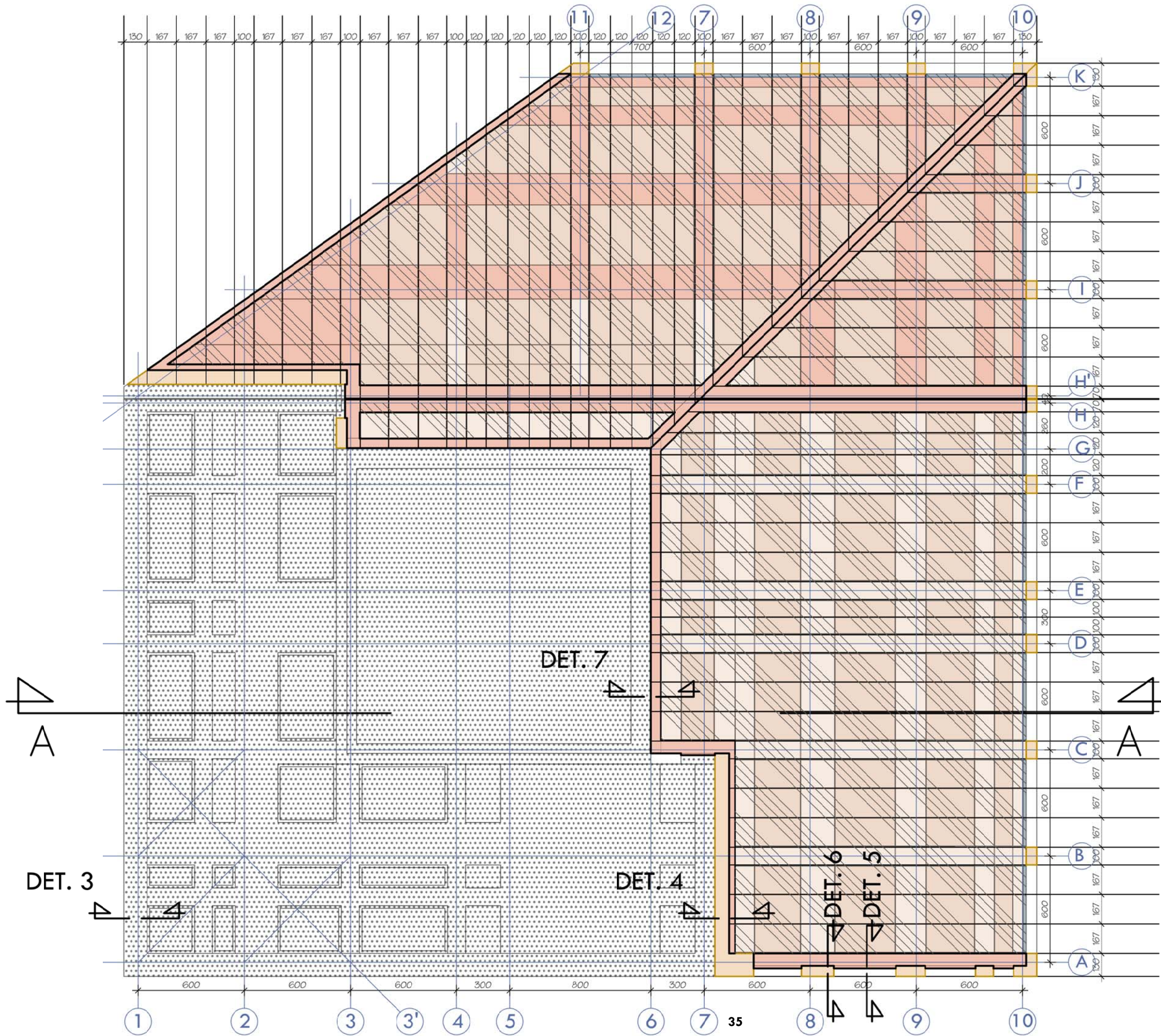


THESIS TOPIC	"A new building of the Regional Library in Varna, Bulgaria."
AUTHOR	Aleksandar Evgeniev Stoychev
SUPERVISOR	prof. Gabriele Masera
CO-SUPERVISOR	prof. Massimo Tadi
ACADEMIC YEAR	2018 - 2017
DRAWING NUMBER	A-29

WEST FACADE VIEW
FACADE COORDINATION; SCALE 1:200



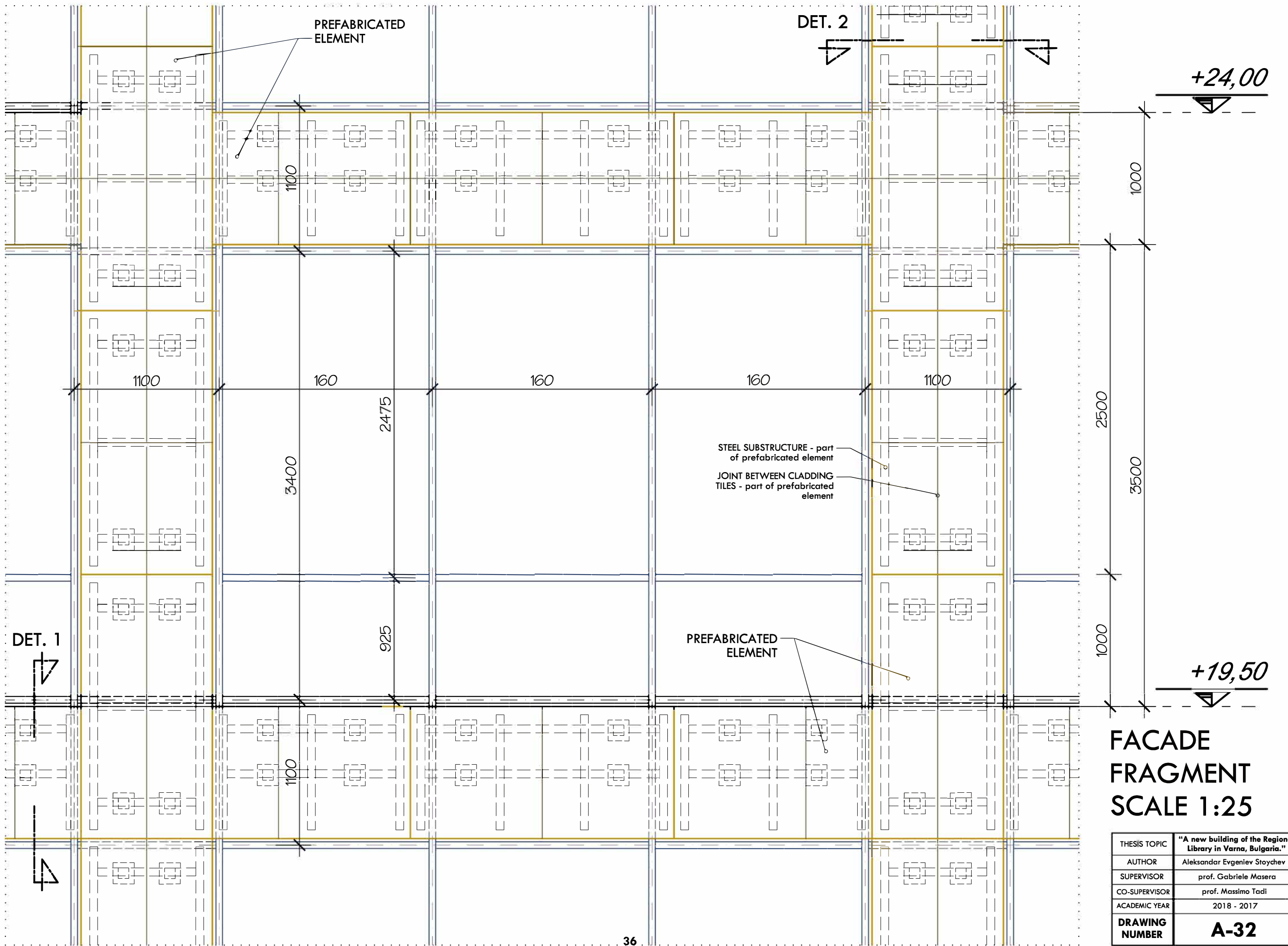
SOUTH-WEST FACADE
FACADE COORDINATION; SCALE 1:200



- STONE CLADDING
- METAL FINISH - COPPER
- GLASS - COLOR 1
- GLASS - COLOR 2
- GLASS - COLOR 3
- CURTAIN WALL - STICK SYSTEM

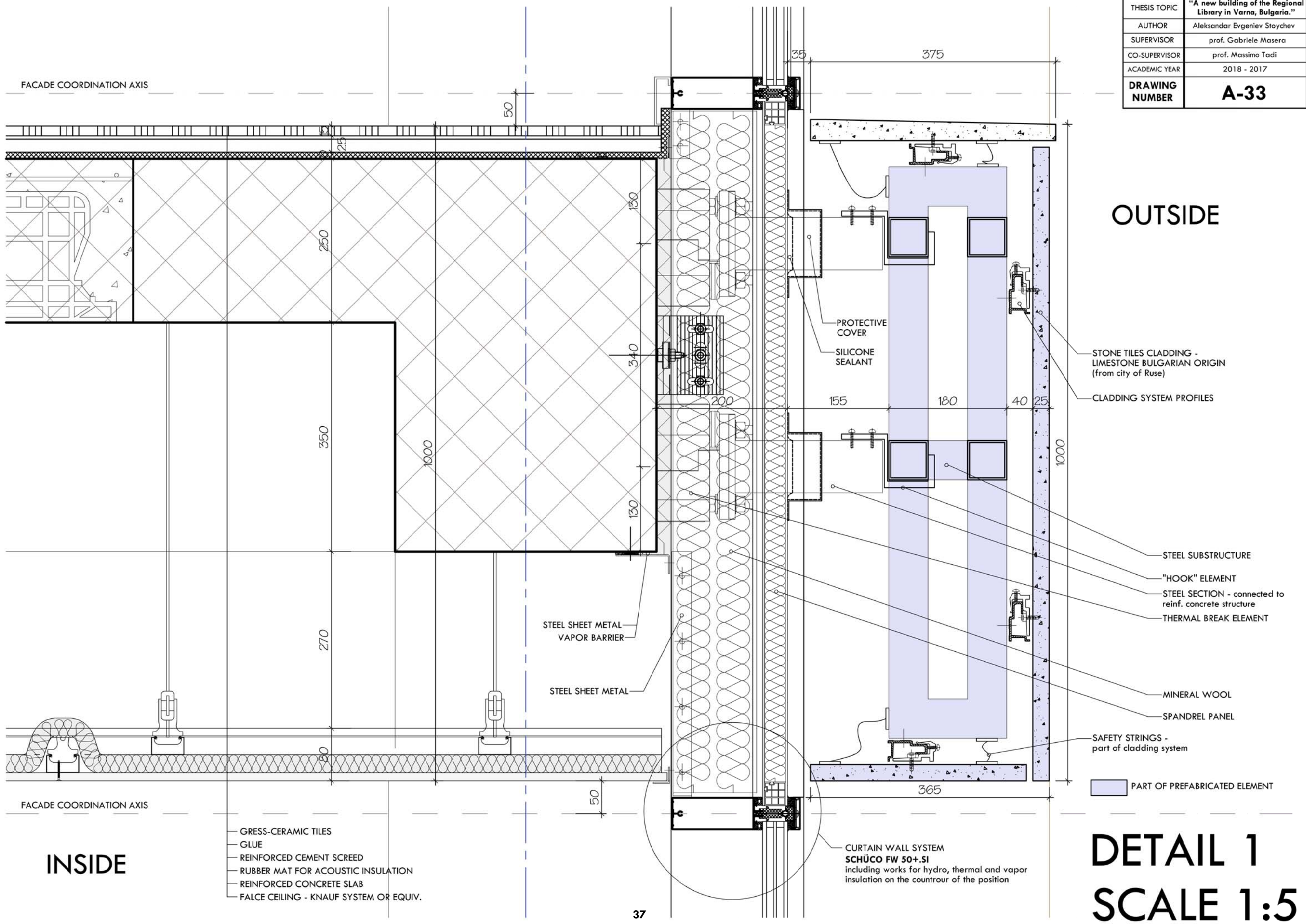
THESIS TOPIC	"A new building of the Regional Library in Varna, Bulgaria."
AUTHOR	Aleksandar Evgeniev Stoychev
SUPERVISOR	prof. Gabriele Masera
CO-SUPERVISOR	prof. Massimo Tadi
ACADEMIC YEAR	2018 - 2017
DRAWING NUMBER	A-31

**ROOF - FACADE
COORDINATION;
SCALE 1:200**



THESIS TOPIC	"A new building of the Regional Library in Varna, Bulgaria."
AUTHOR	Aleksandar Evgeniev Stoychev
SUPERVISOR	prof. Gabriele Masera
CO-SUPERVISOR	prof. Massimo Tadi
ACADEMIC YEAR	2018 - 2017
DRAWING NUMBER	A-32

THESIS TOPIC	"A new building of the Regional Library in Varna, Bulgaria."
AUTHOR	Aleksandar Evgeniev Stoychev
SUPERVISOR	prof. Gabriele Masera
CO-SUPERVISOR	prof. Massimo Tadi
ACADEMIC YEAR	2018 - 2017
DRAWING NUMBER	A-33



FACADE COORDINATION AXIS

FACADE COORDINATION AXIS

OUTSIDE

INSIDE

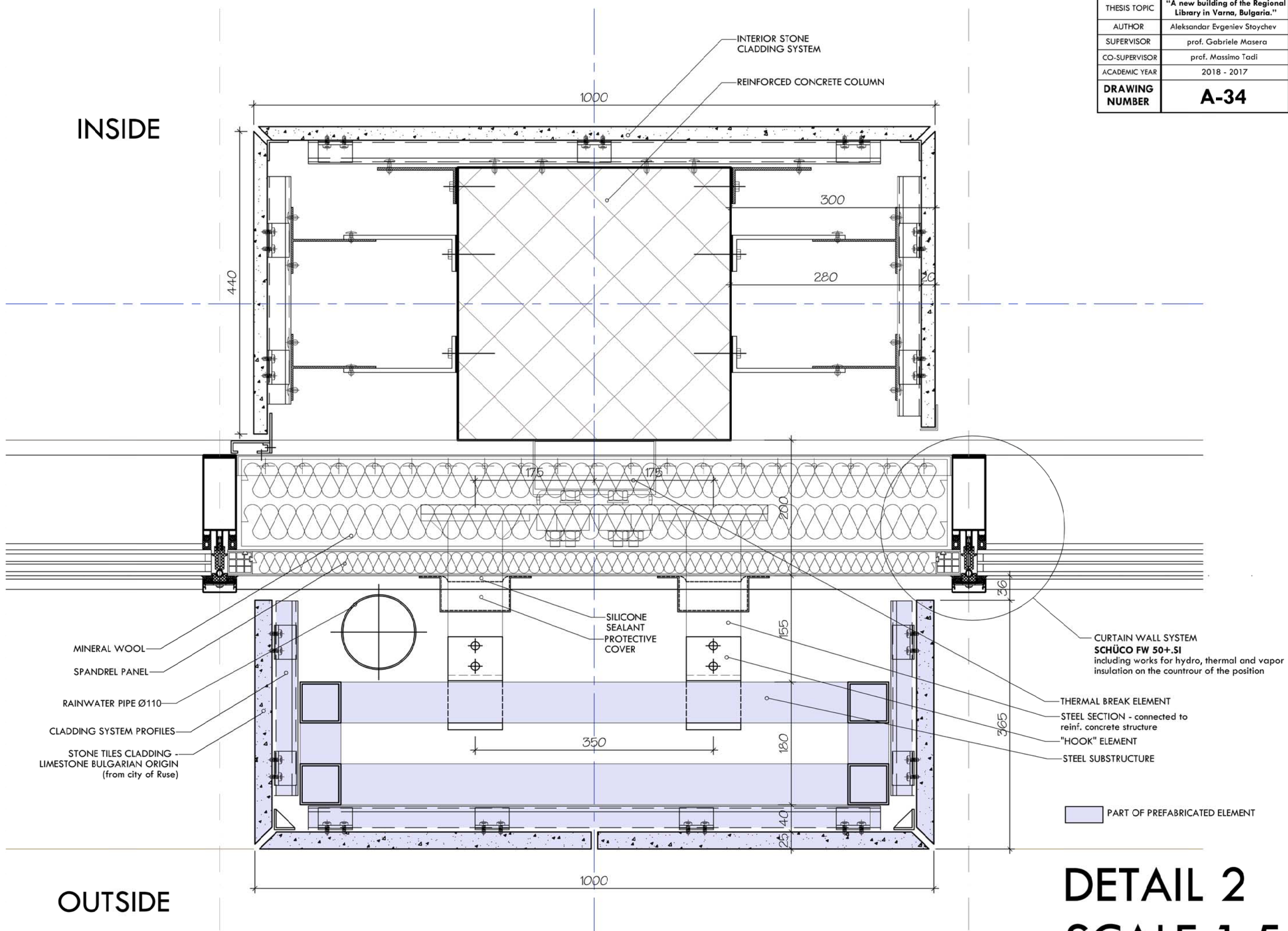
- GRESS-CERAMIC TILES
- GLUE
- REINFORCED CEMENT SCREED
- RUBBER MAT FOR ACOUSTIC INSULATION
- REINFORCED CONCRETE SLAB
- FALCE CEILING - KNAUF SYSTEM OR EQUIV.

CURTAIN WALL SYSTEM
SCHÜCO FW 50+.SI
 including works for hydro, thermal and vapor insulation on the countrour of the position

■ PART OF PREFABRICATED ELEMENT

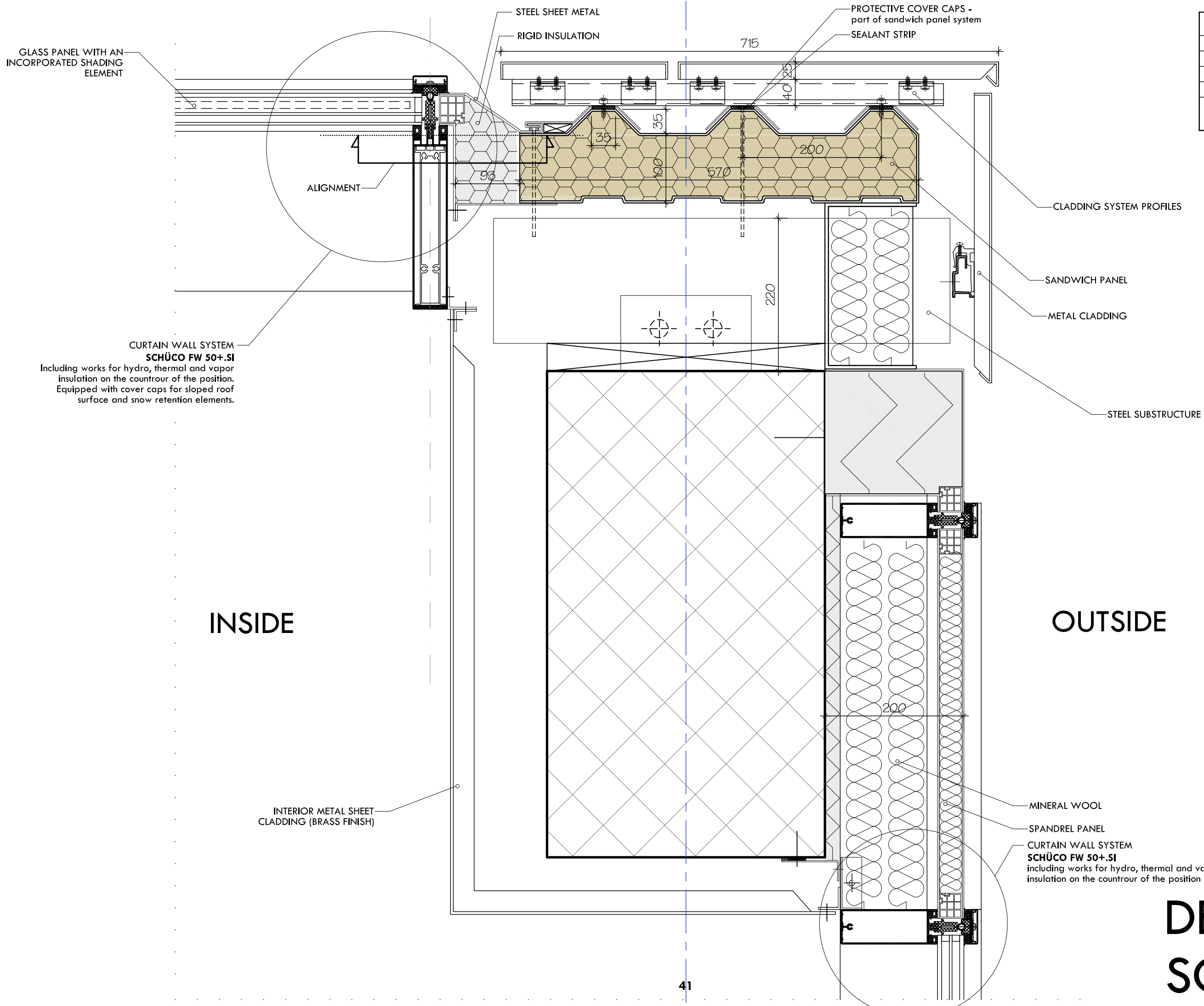
DETAIL 1
SCALE 1:5

THESIS TOPIC	"A new building of the Regional Library in Varna, Bulgaria."
AUTHOR	Aleksandar Evgeniev Stoychev
SUPERVISOR	prof. Gabriele Masera
CO-SUPERVISOR	prof. Massimo Tadi
ACADEMIC YEAR	2018 - 2017
DRAWING NUMBER	A-34



DETAIL 2
SCALE 1:5

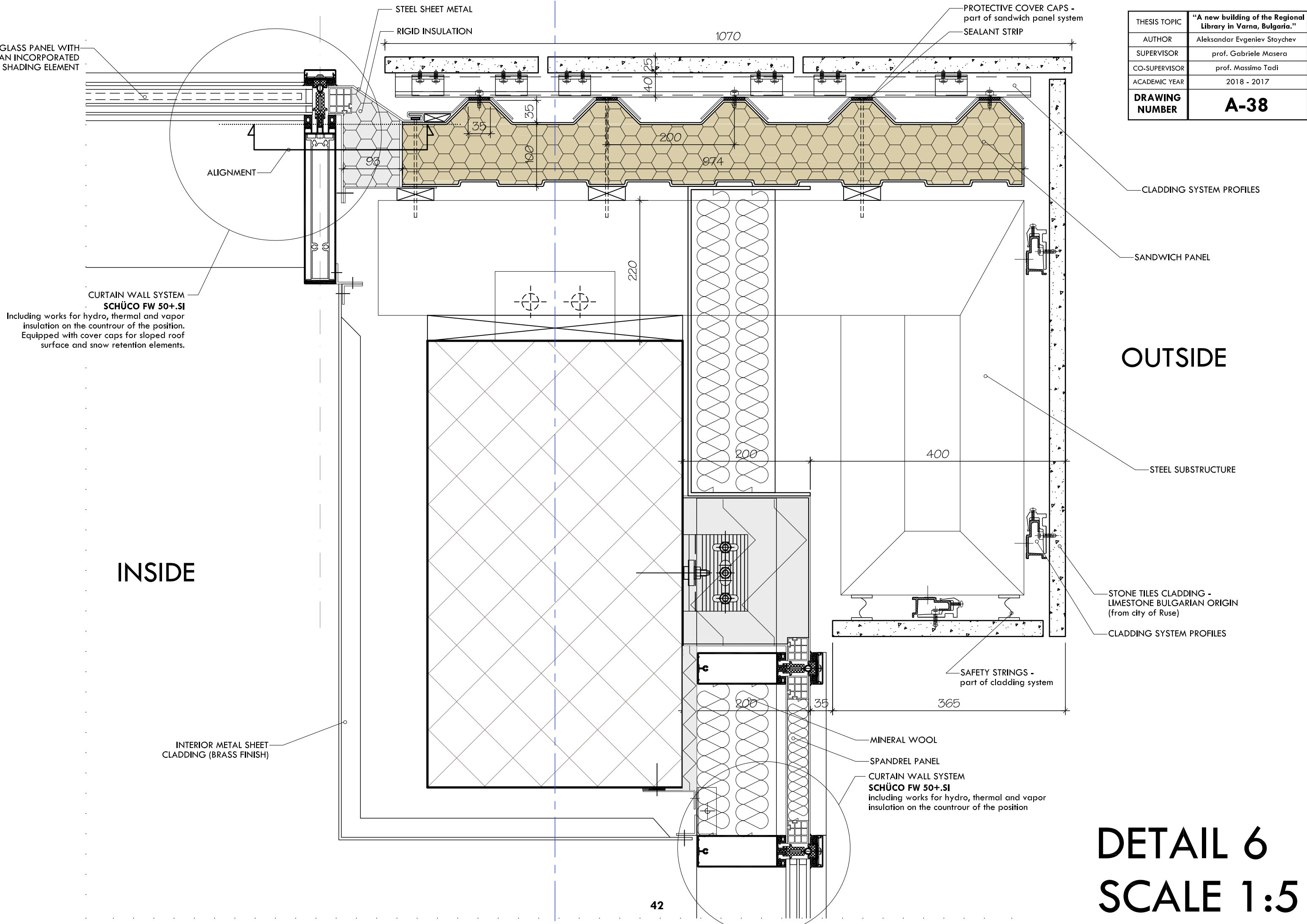
THESIS TOPIC	"A new building of the Regional Library in Varna, Bulgaria."
AUTHOR	Aleksandar Evgeniev Stoychev
SUPERVISOR	prof. Gabriele Masera
CO-SUPERVISOR	prof. Massimo Tadi
ACADEMIC YEAR	2018 - 2017
DRAWING NUMBER	A-37



DETAIL 5

SCALE 1:5

THESIS TOPIC	"A new building of the Regional Library in Varna, Bulgaria."
AUTHOR	Aleksandar Evgeniev Stoychev
SUPERVISOR	prof. Gabriele Masera
CO-SUPERVISOR	prof. Massimo Tadi
ACADEMIC YEAR	2018 - 2017
DRAWING NUMBER	A-38



GLASS PANEL WITH AN INCORPORATED SHADING ELEMENT

ALIGNMENT

CURTAIN WALL SYSTEM
SCHÜCO FW 50+.SI
Including works for hydro, thermal and vapor insulation on the countrour of the position. Equipped with cover caps for sloped roof surface and snow retention elements.

INSIDE

INTERIOR METAL SHEET CLADDING (BRASS FINISH)

STEEL SHEET METAL
RIGID INSULATION

1070

PROTECTIVE COVER CAPS - part of sandwich panel system
SEALANT STRIP

CLADDING SYSTEM PROFILES

SANDWICH PANEL

OUTSIDE

STEEL SUBSTRUCTURE

STONE TILES CLADDING - LIMESTONE BULGARIAN ORIGIN (from city of Ruse)

CLADDING SYSTEM PROFILES

SAFETY STRINGS - part of cladding system

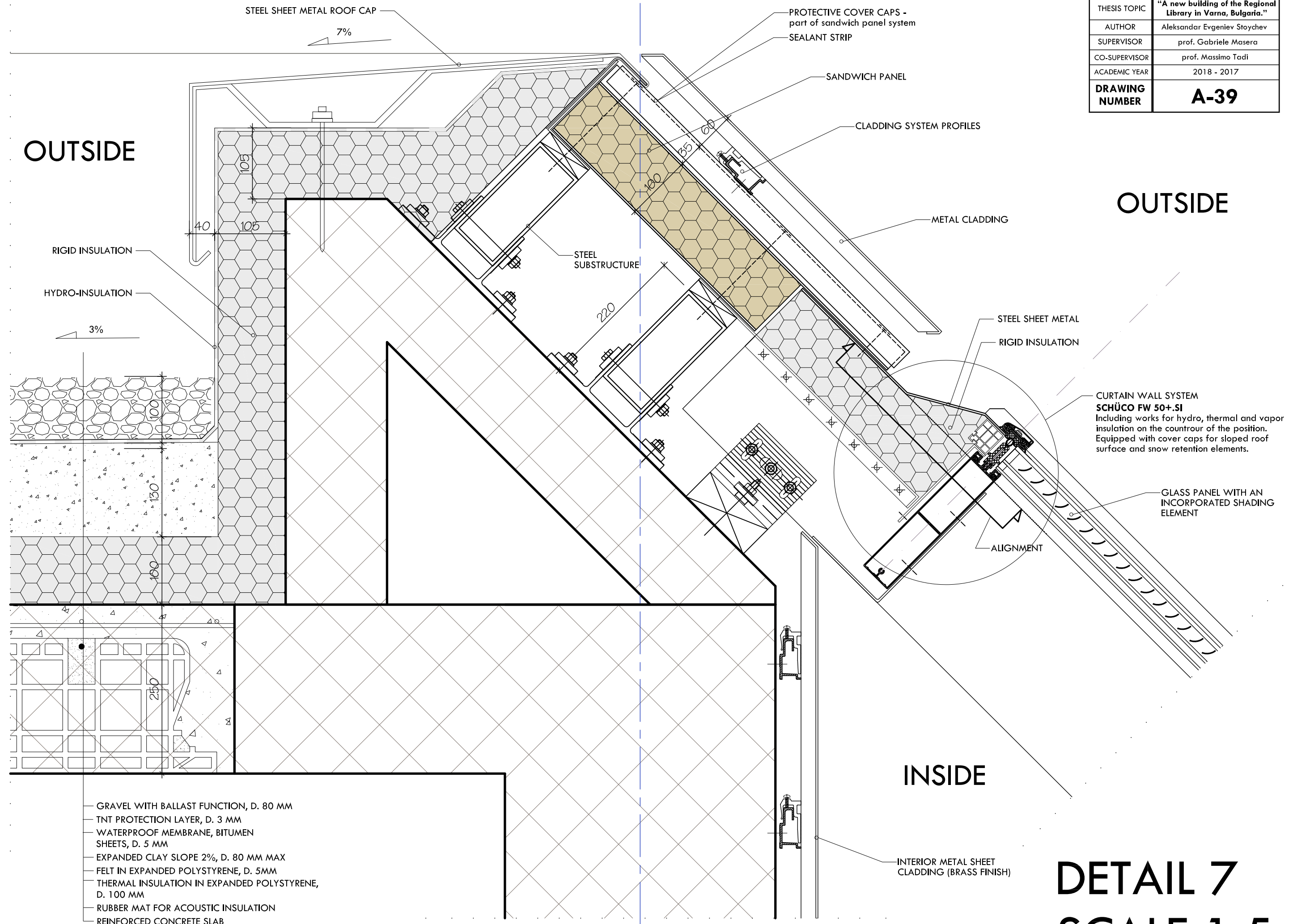
MINERAL WOOL

SPANDREL PANEL

CURTAIN WALL SYSTEM
SCHÜCO FW 50+.SI
including works for hydro, thermal and vapor insulation on the countrour of the position

DETAIL 6
SCALE 1:5

THESIS TOPIC	"A new building of the Regional Library in Varna, Bulgaria."
AUTHOR	Aleksandar Evgeniev Stoychev
SUPERVISOR	prof. Gabriele Masera
CO-SUPERVISOR	prof. Massimo Tadi
ACADEMIC YEAR	2018 - 2017
DRAWING NUMBER	A-39



RIGID INSULATION
HYDRO-INSULATION

3%

STEEL SHEET METAL ROOF CAP

7%

PROTECTIVE COVER CAPS - part of sandwich panel system
SEALANT STRIP

SANDWICH PANEL

CLADDING SYSTEM PROFILES

METAL CLADDING

STEEL SUBSTRUCTURE

STEEL SHEET METAL
RIGID INSULATION

CURTAIN WALL SYSTEM
SCHÜCO FW 50+.SI
Including works for hydro, thermal and vapor insulation on the contour of the position. Equipped with cover caps for sloped roof surface and snow retention elements.

GLASS PANEL WITH AN INCORPORATED SHADING ELEMENT

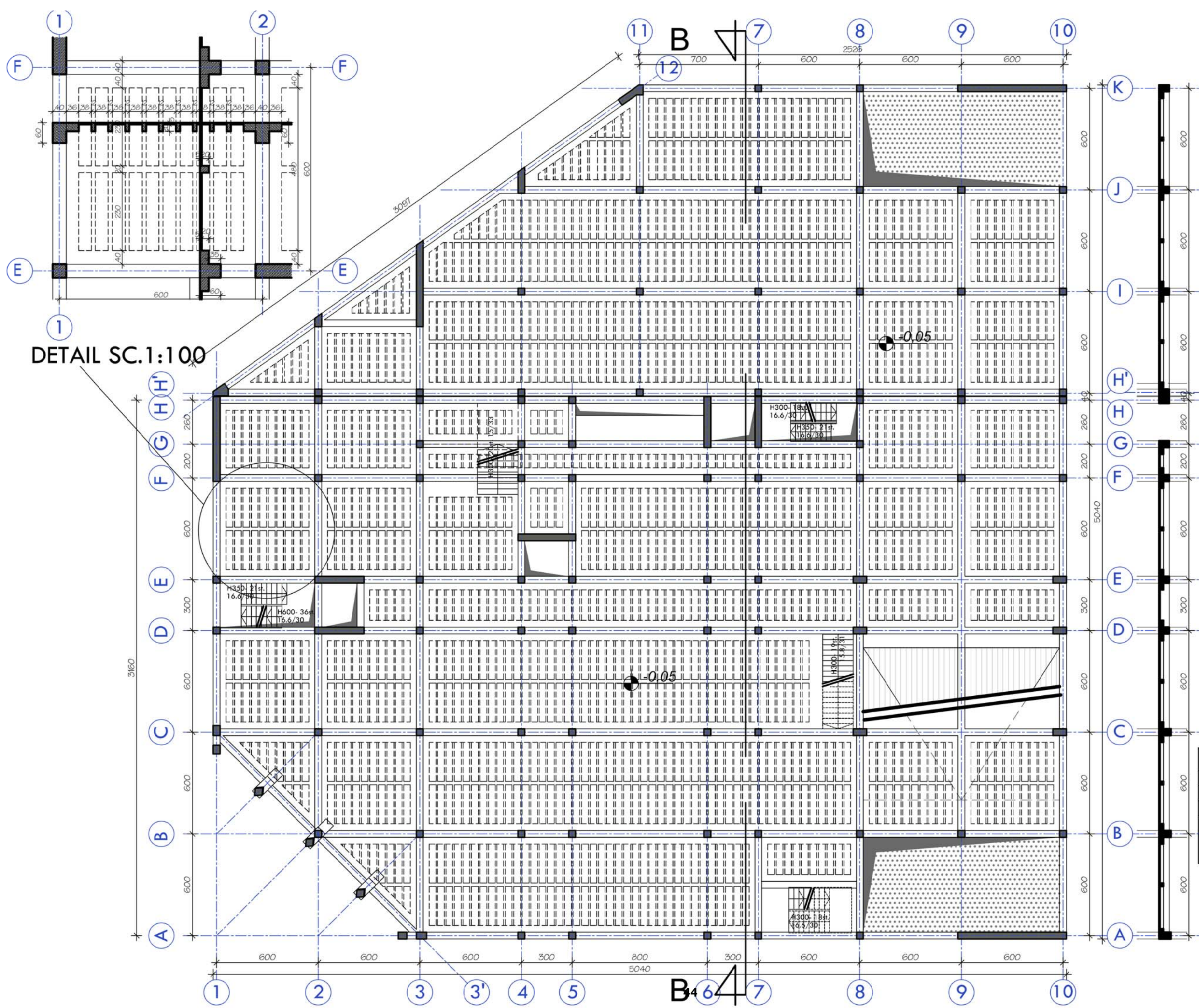
ALIGNMENT

INSIDE

INTERIOR METAL SHEET CLADDING (BRASS FINISH)

- GRAVEL WITH BALLAST FUNCTION, D. 80 MM
- TNT PROTECTION LAYER, D. 3 MM
- WATERPROOF MEMBRANE, BITUMEN SHEETS, D. 5 MM
- EXPANDED CLAY SLOPE 2%, D. 80 MM MAX
- FELT IN EXPANDED POLYSTYRENE, D. 5MM
- THERMAL INSULATION IN EXPANDED POLYSTYRENE, D. 100 MM
- RUBBER MAT FOR ACOUSTIC INSULATION
- REINFORCED CONCRETE SLAB

DETAIL 7
SCALE 1:5

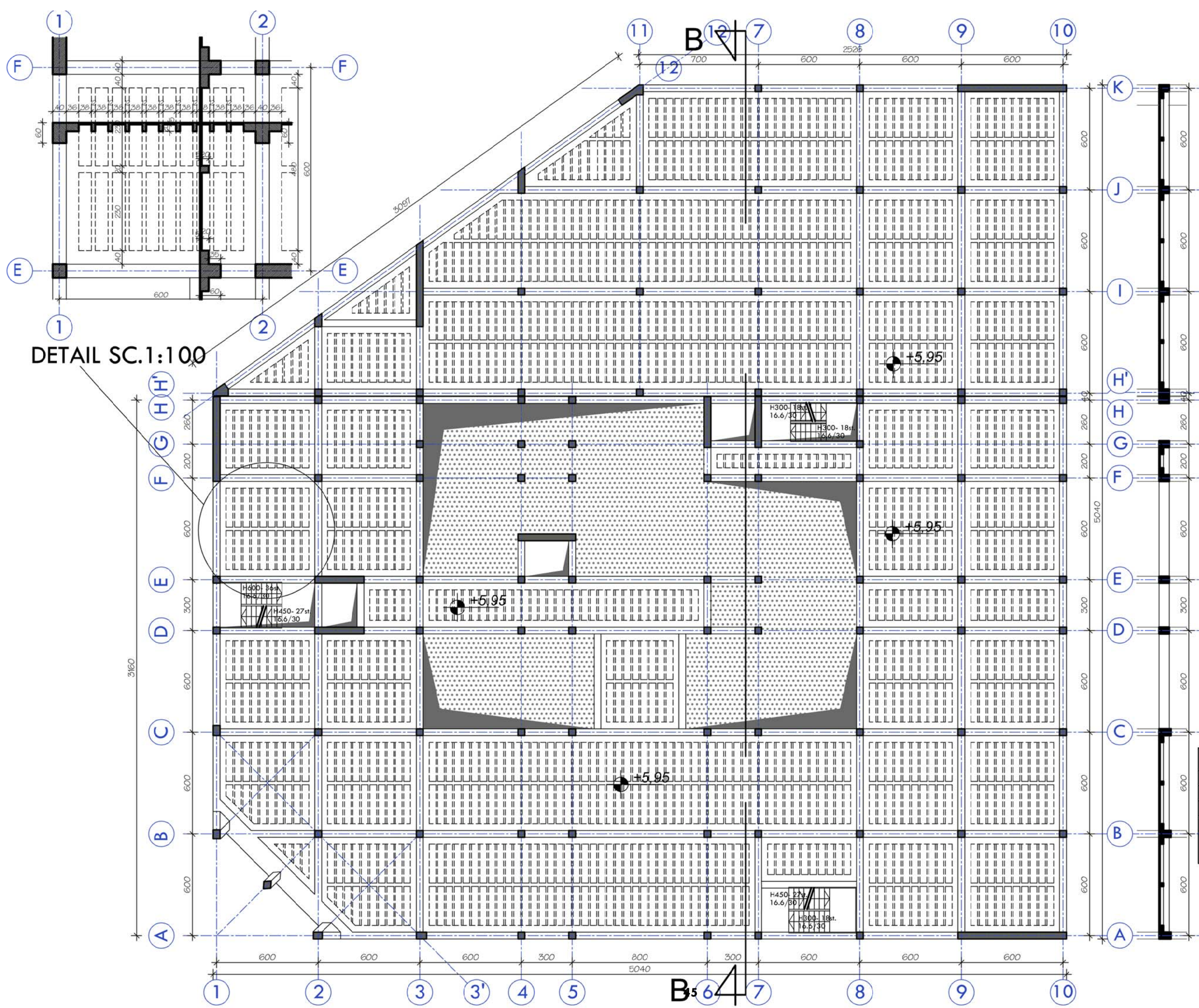


SECTION B-B

DETAIL SC. 1:100

THESIS TOPIC	"A new building of the Regional Library in Varna, Bulgaria."
AUTHOR	Aleksandar Evgeniev Stoychev
SUPERVISOR	prof. Gabriele Masera
CO-SUPERVISOR	prof. Massimo Tadi
ACADEMIC YEAR	2018 - 2017
DRAWING NUMBER	S-1

Structure
LEVEL -0.05
SCALE 1:200

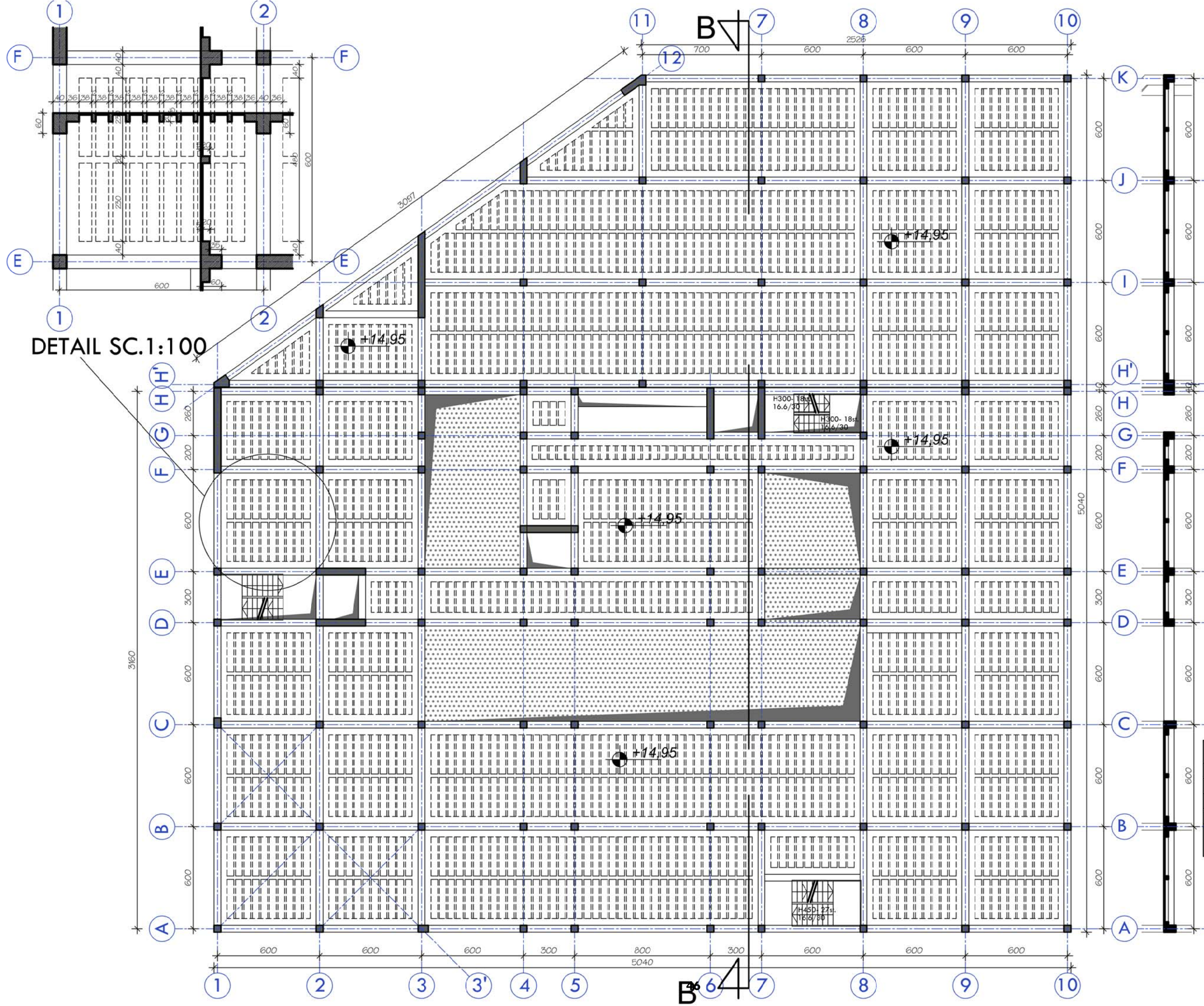


SECTION B-B

DETAIL SC.1:100

THESIS TOPIC	"A new building of the Regional Library in Varna, Bulgaria."
AUTHOR	Aleksandar Evgeniev Stoychev
SUPERVISOR	prof. Gabriele Masera
CO-SUPERVISOR	prof. Massimo Tadi
ACADEMIC YEAR	2018 - 2017
DRAWING NUMBER	S-2

Structure
LEVEL +5.95
SCALE 1:200

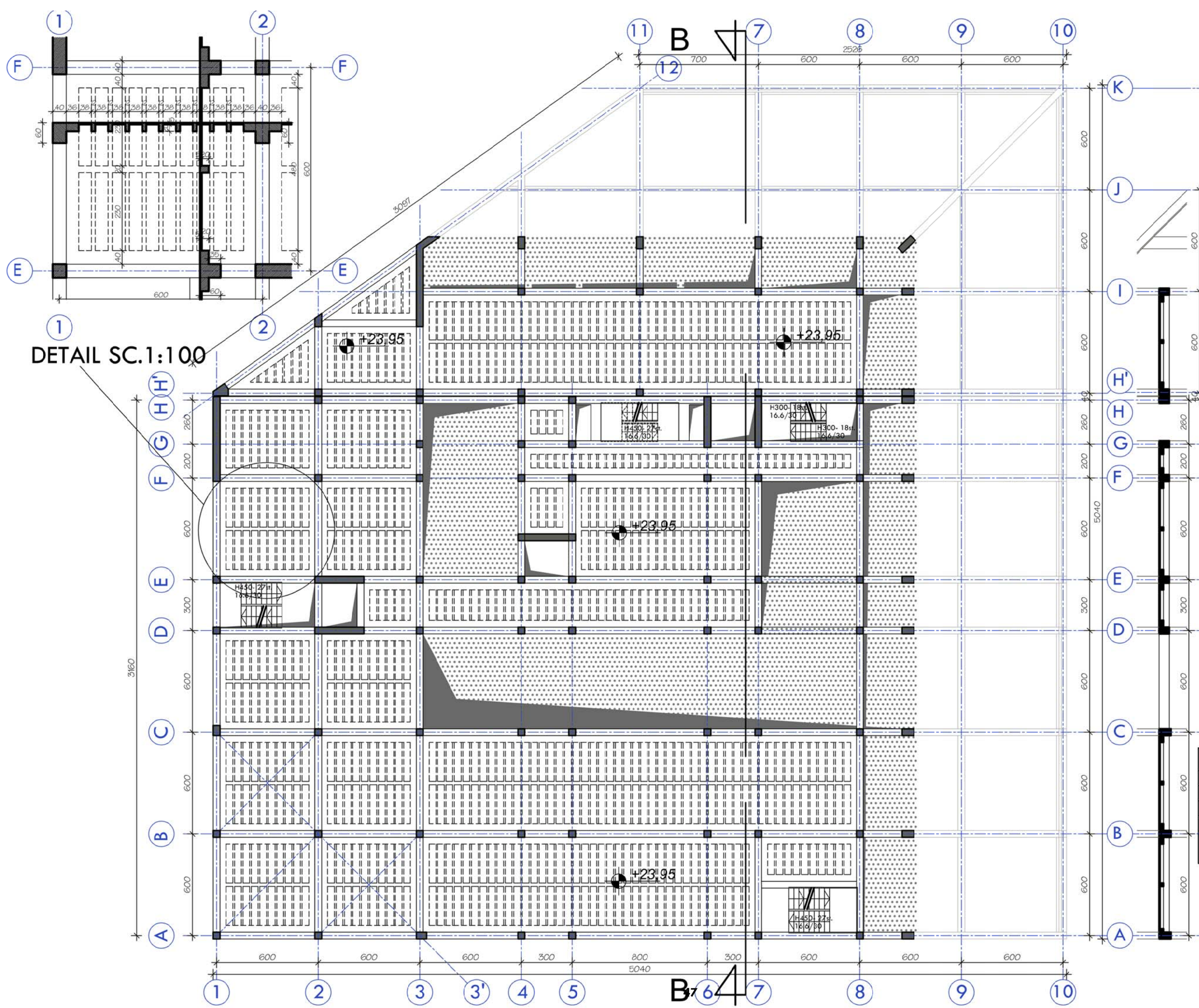


SECTION B-B

DETAIL SC.1:100

THESIS TOPIC	"A new building of the Regional Library in Varna, Bulgaria."
AUTHOR	Aleksandar Evgeniev Stoychev
SUPERVISOR	prof. Gabriele Masera
CO-SUPERVISOR	prof. Massimo Tadi
ACADEMIC YEAR	2018 - 2017
DRAWING NUMBER	S-3

Structure
LEVEL +14.95
SCALE 1:200

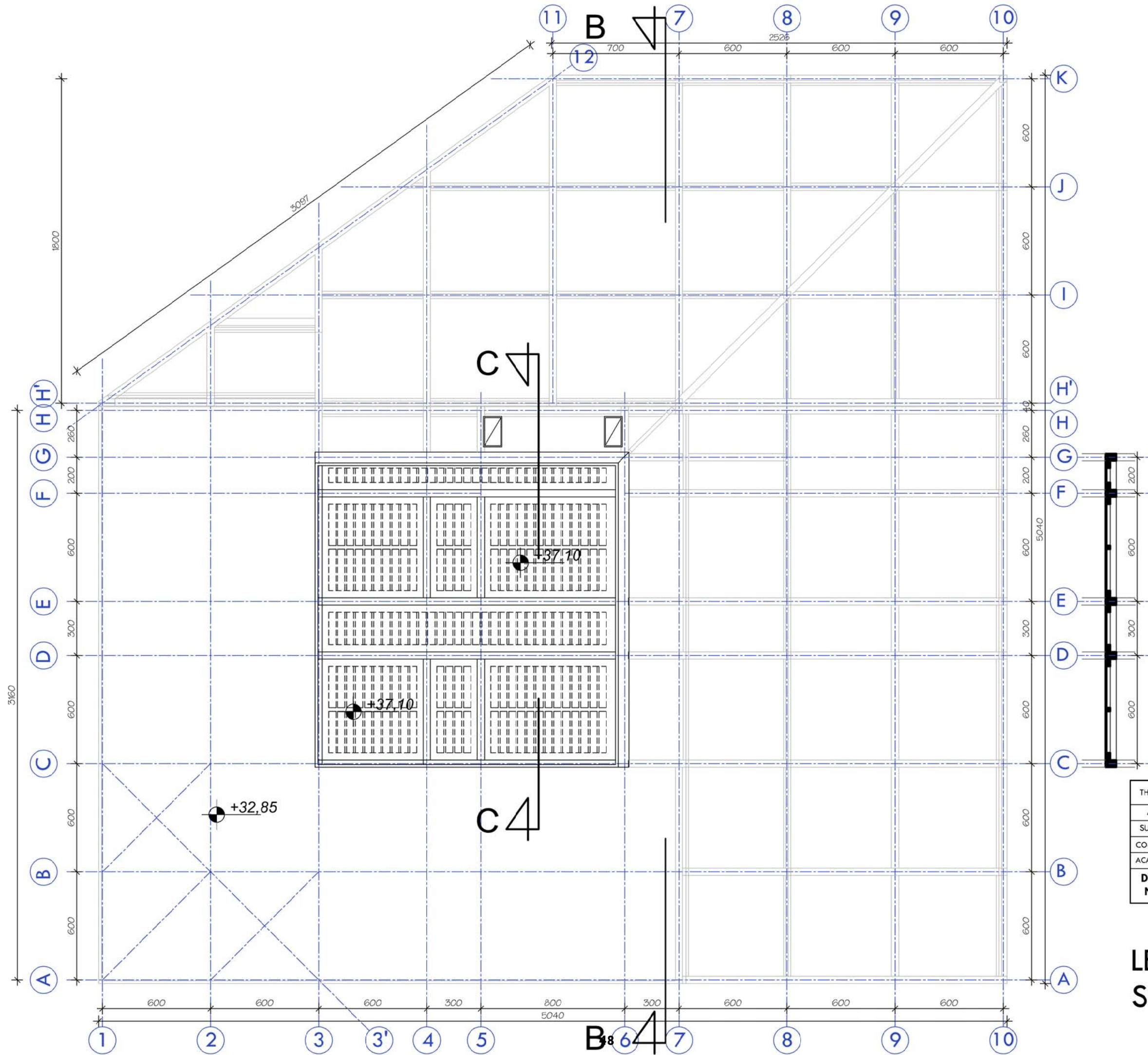


SECTION B-B

DETAIL SC. 1:100

THESIS TOPIC	"A new building of the Regional Library in Varna, Bulgaria."
AUTHOR	Aleksandar Evgeniev Stoychev
SUPERVISOR	prof. Gabriele Masera
CO-SUPERVISOR	prof. Massimo Tadi
ACADEMIC YEAR	2018 - 2017
DRAWING NUMBER	S-4

Structure
LEVEL +23.95
SCALE 1:200



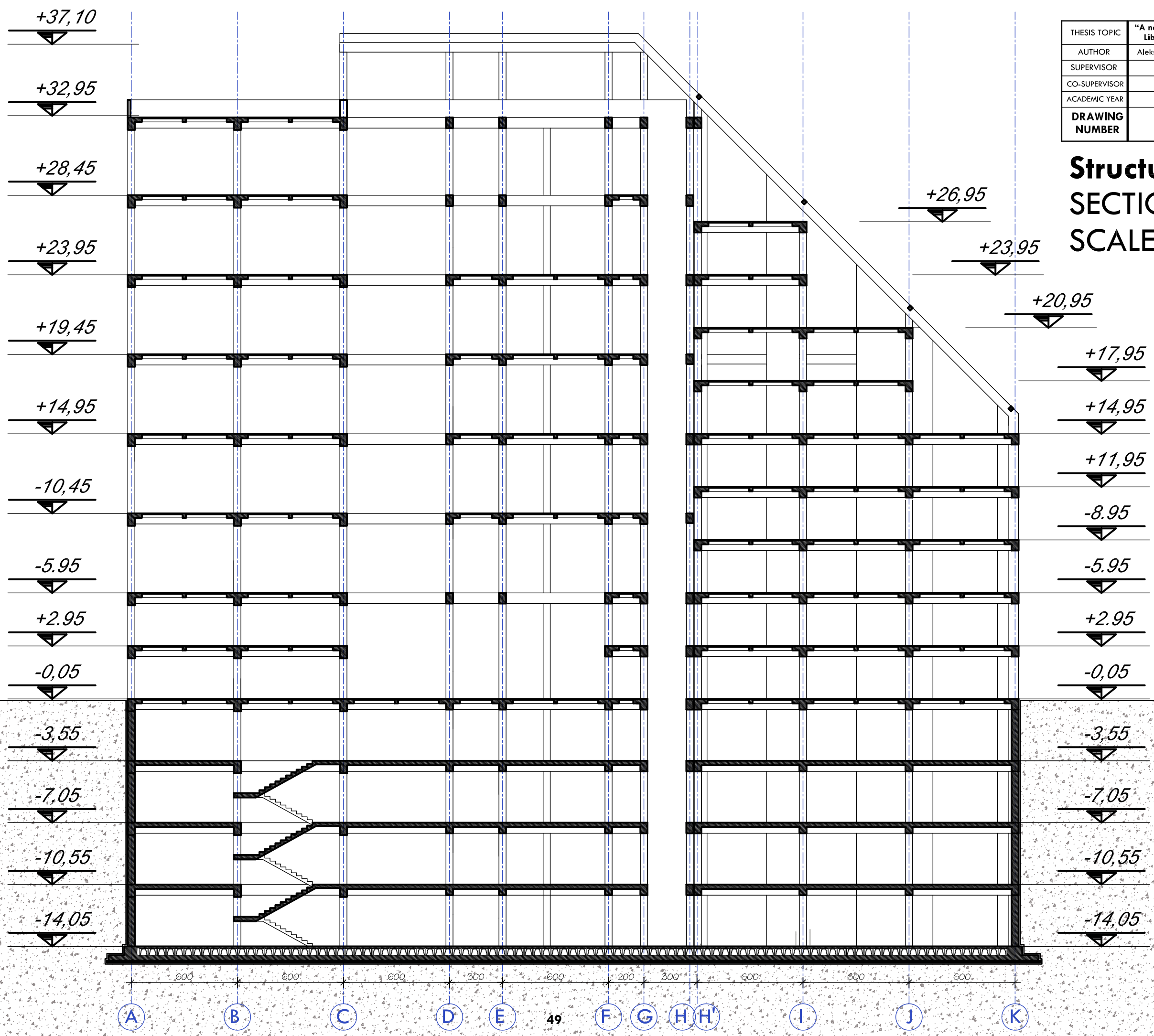
SECTION C-C

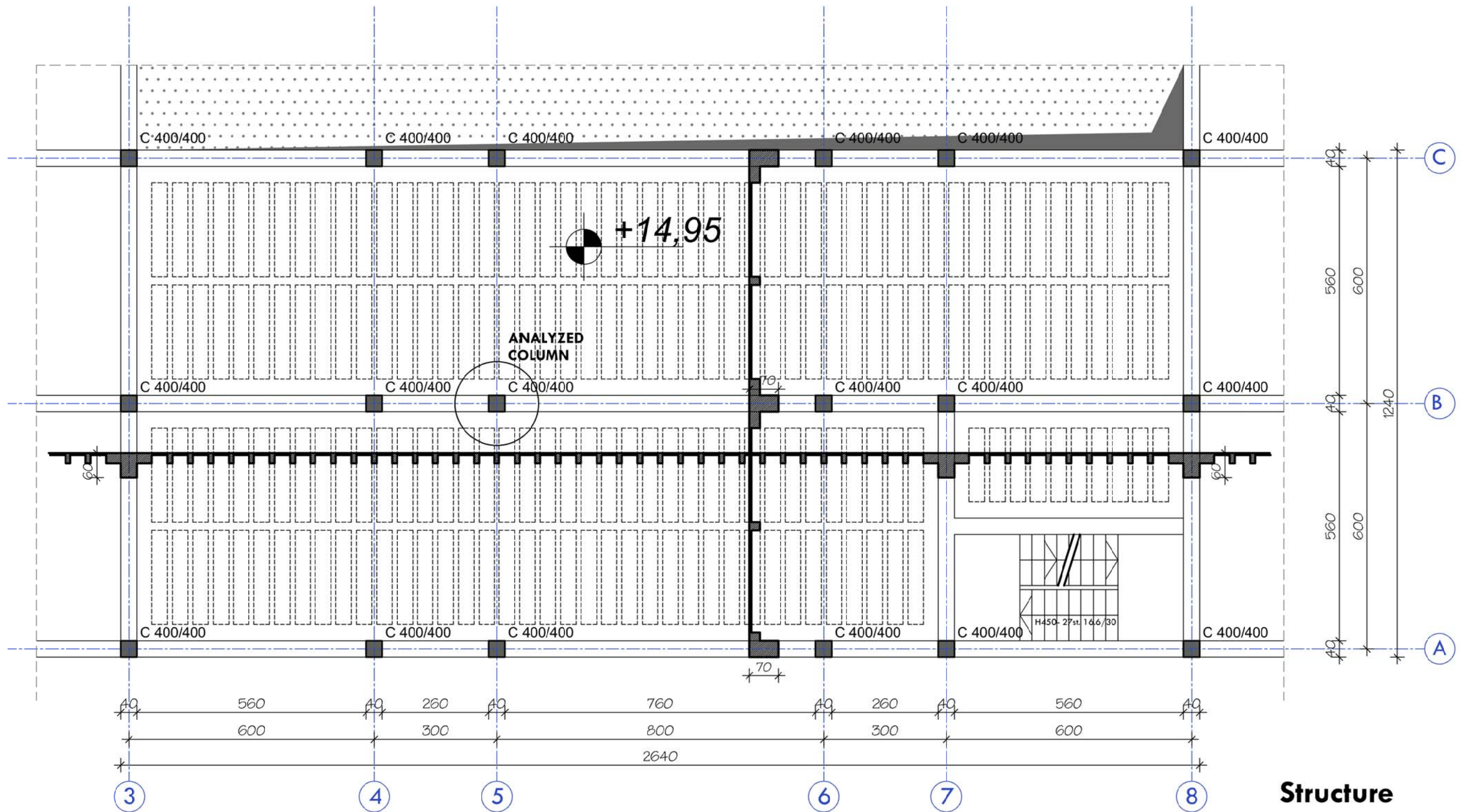
THESIS TOPIC	"A new building of the Regional Library in Varna, Bulgaria."
AUTHOR	Aleksandar Evgeniev Stoychev
SUPERVISOR	prof. Gabriele Masera
CO-SUPERVISOR	prof. Massimo Tadi
ACADEMIC YEAR	2018 - 2017
DRAWING NUMBER	S-5

Structure
LEVEL +37.15
SCALE 1:200

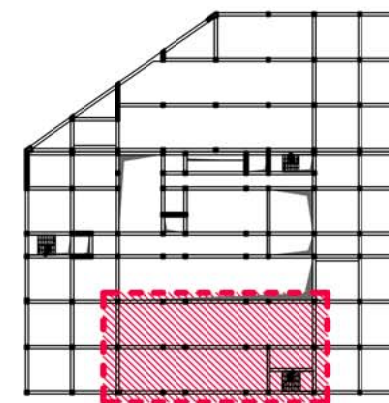
THESIS TOPIC	"A new building of the Regional Library in Varna, Bulgaria."
AUTHOR	Aleksandar Evgeniev Stoychev
SUPERVISOR	prof. Gabriele Masera
CO-SUPERVISOR	prof. Massimo Tadi
ACADEMIC YEAR	2018 - 2017
DRAWING NUMBER	S-6

Structure
SECTION B-B
SCALE 1:200

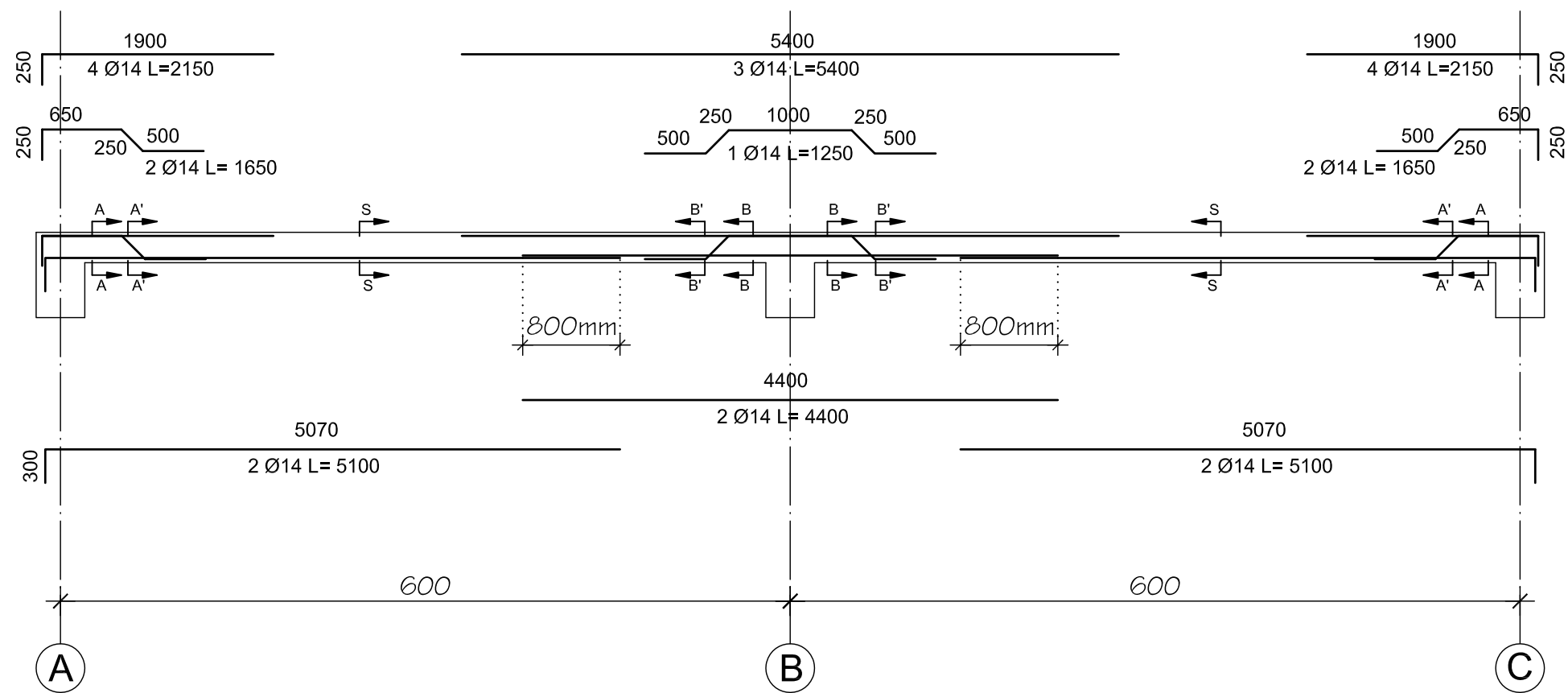




Structure
PLAN FRAGMENT
LEVEL +14.95
SCALE 1:100



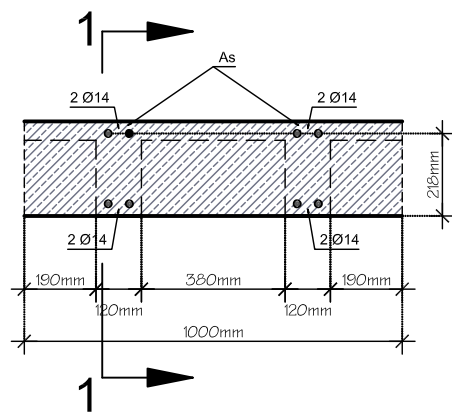
THESIS TOPIC	"A new building of the Regional Library in Varna, Bulgaria."
AUTHOR	Aleksandar Evgeniev Stoychev
SUPERVISOR	prof. Gabriele Masera
CO-SUPERVISOR	prof. Massimo Tadi
ACADEMIC YEAR	2018 - 2017
DRAWING NUMBER	S-7



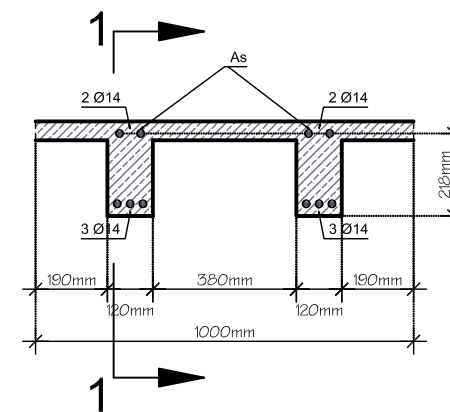
REINFORCEMENT ARRANGEMENT 1-1 - FLOOR SLAB
SCALE - 1:50

NOTE: THE REINFORCEMENT DIMENSIONS ARE IN "mm"

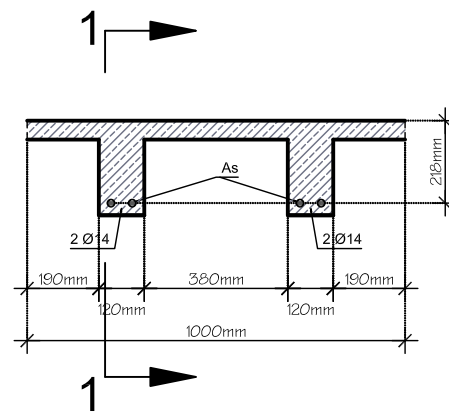
THESIS TOPIC	"A new building of the Regional Library in Varna, Bulgaria."
AUTHOR	Aleksandar Evgeniev Stoychev
SUPERVISOR	prof. Gabriele Masera
CO-SUPERVISOR	prof. Massimo Tadi
ACADEMIC YEAR	2018 - 2017
DRAWING NUMBER	S-8



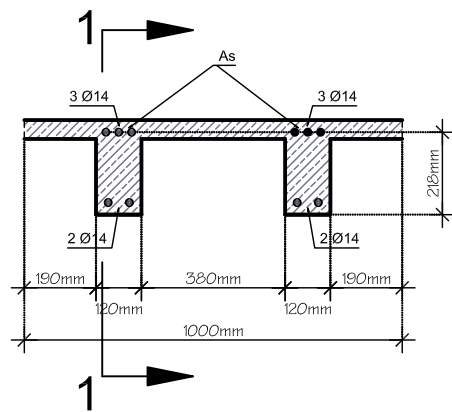
SECTION A
SCALE 1:20



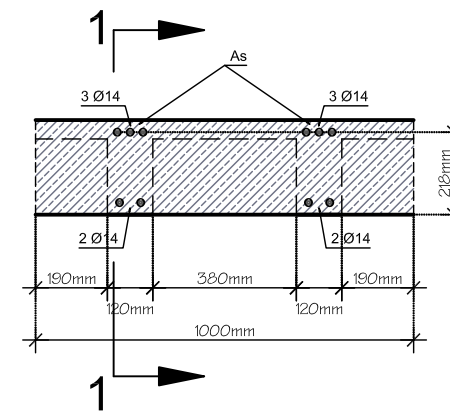
SECTION A'
SCALE 1:20



SECTION S
SCALE 1:20



SECTION B'
SCALE 1:20

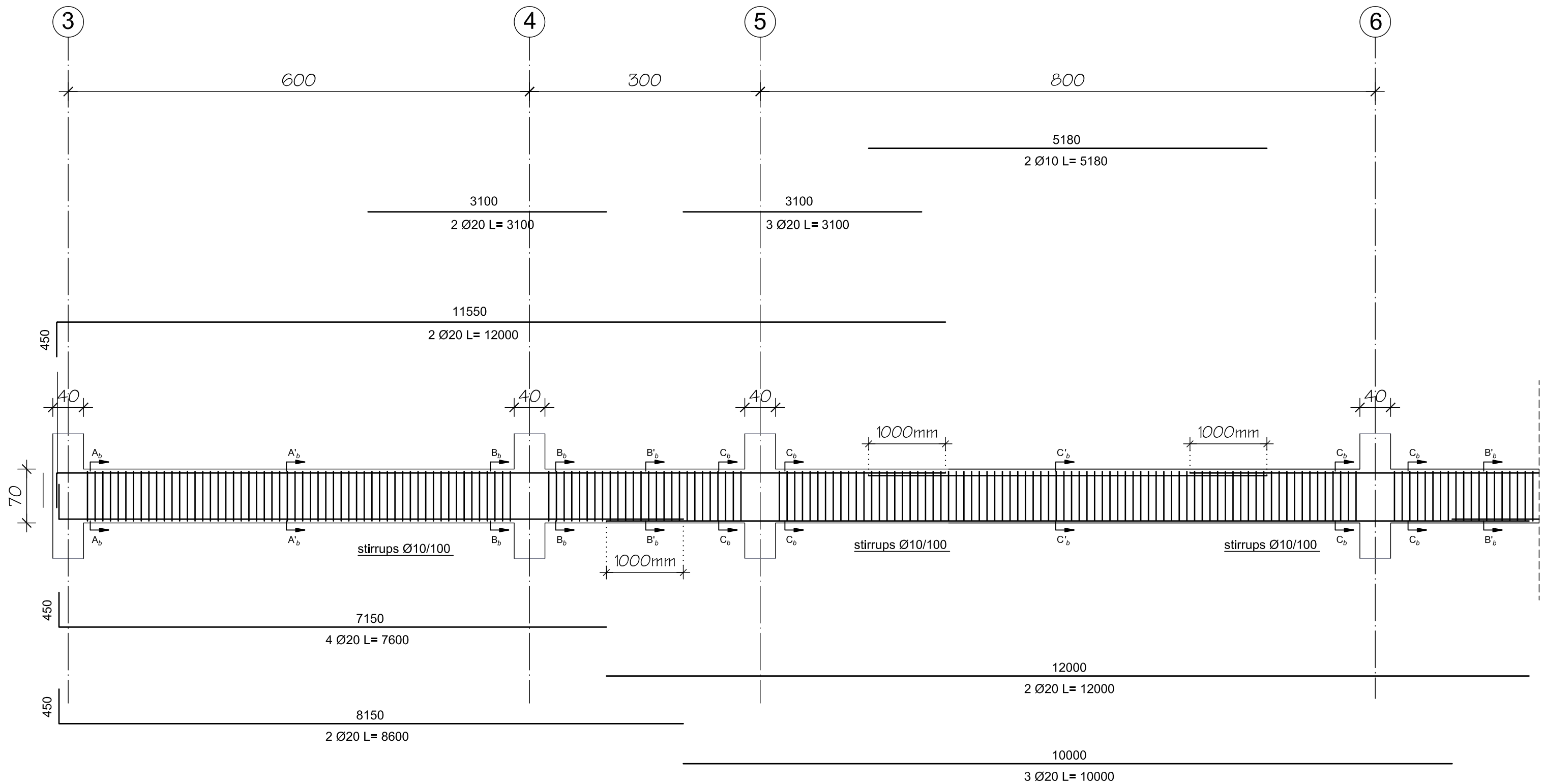


SECTION B
SCALE 1:20

REINFORCEMENT ARRANGEMENT - FLOOR SLAB SECTIONS SCALE - 1:20

NOTE: THE REINFORCEMENT DIMENSIONS ARE IN "mm"

THESIS TOPIC	"A new building of the Regional Library in Varna, Bulgaria."
AUTHOR	Aleksandar Evgeniev Stoychev
SUPERVISOR	prof. Gabriele Masera
CO-SUPERVISOR	prof. Massimo Tadi
ACADEMIC YEAR	2018 - 2017
DRAWING NUMBER	S-9

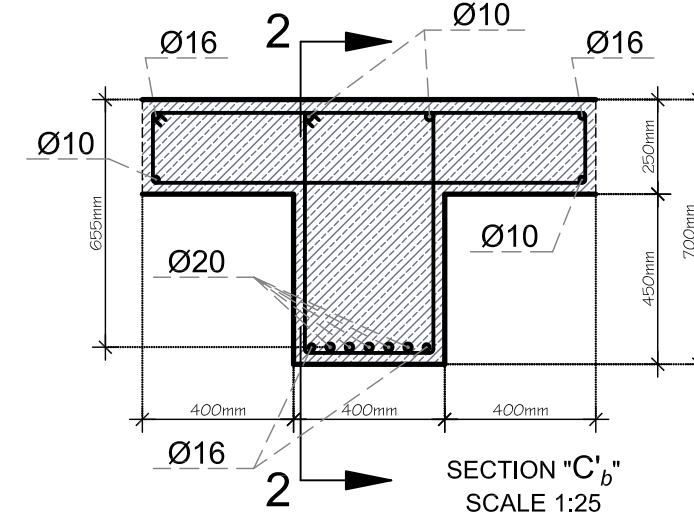
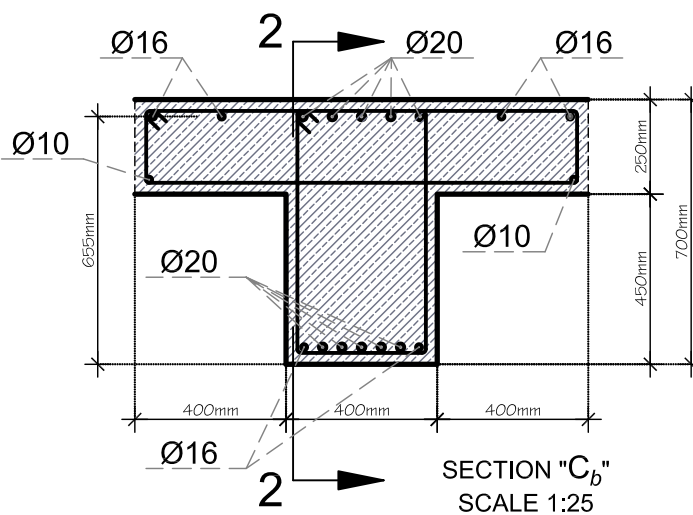
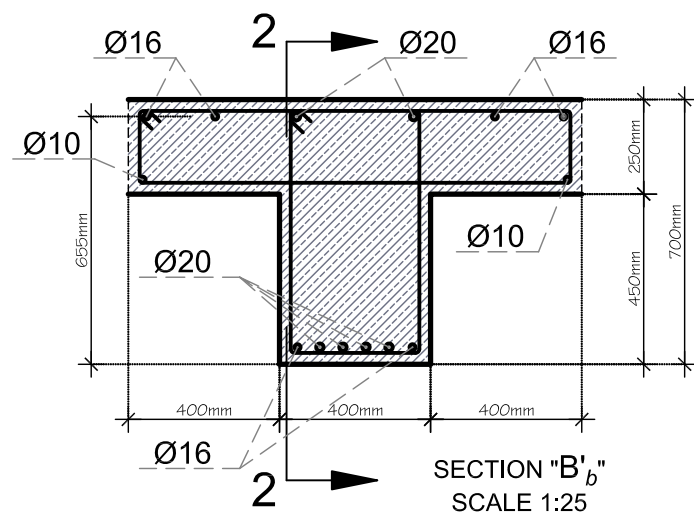
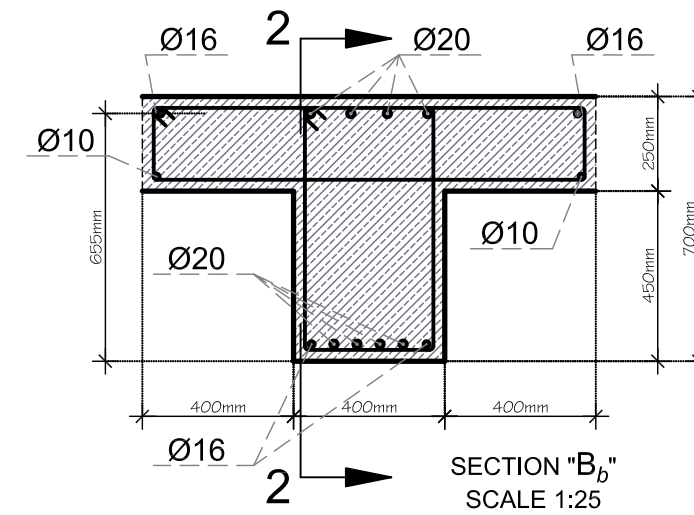
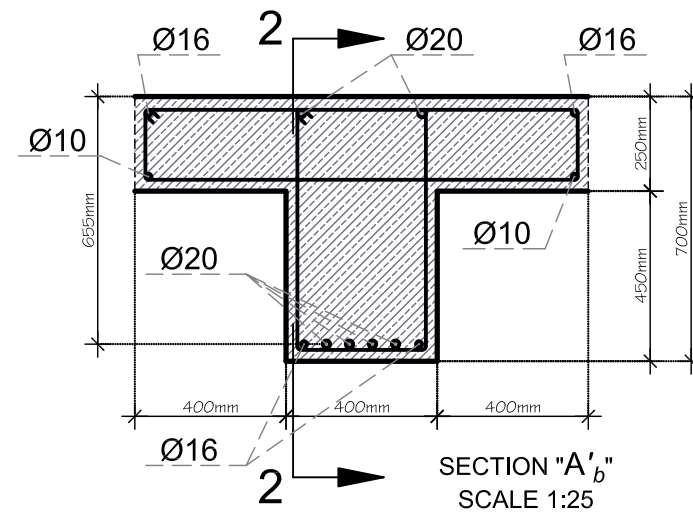
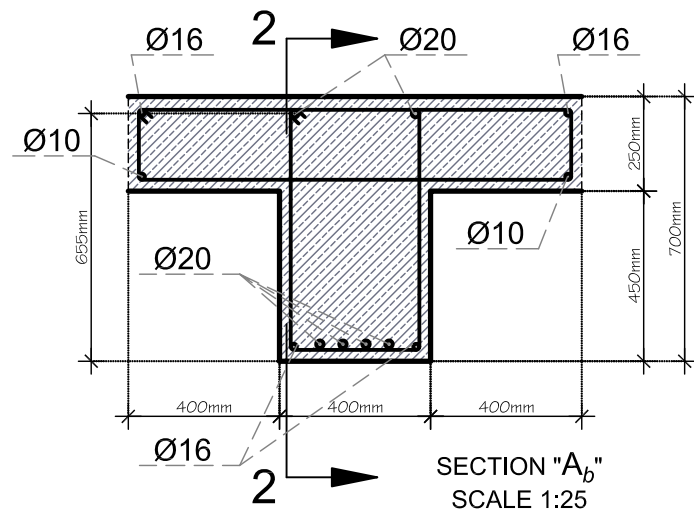


NOTE: THE REINFORCEMENT DIMENSIONS ARE IN "mm"

NOTE: THE DRAWING DEPICTS HALF OF THE BEAM DUE THE SYMMETRY OF THE GEOMETRY. THE REINFORCEMENT BARS ARE IDENTICAL ON BOTH SIDES OF THE MIDDLE SPAN.

REINFORCEMENT ARRANGEMENT 2-2 - BEAM SCALE - 1:50

THESIS TOPIC	"A new building of the Regional Library in Varna, Bulgaria."
AUTHOR	Aleksandar Evgeniev Stoychev
SUPERVISOR	prof. Gabriele Masera
CO-SUPERVISOR	prof. Massimo Tadi
ACADEMIC YEAR	2018 - 2017
DRAWING NUMBER	S-10



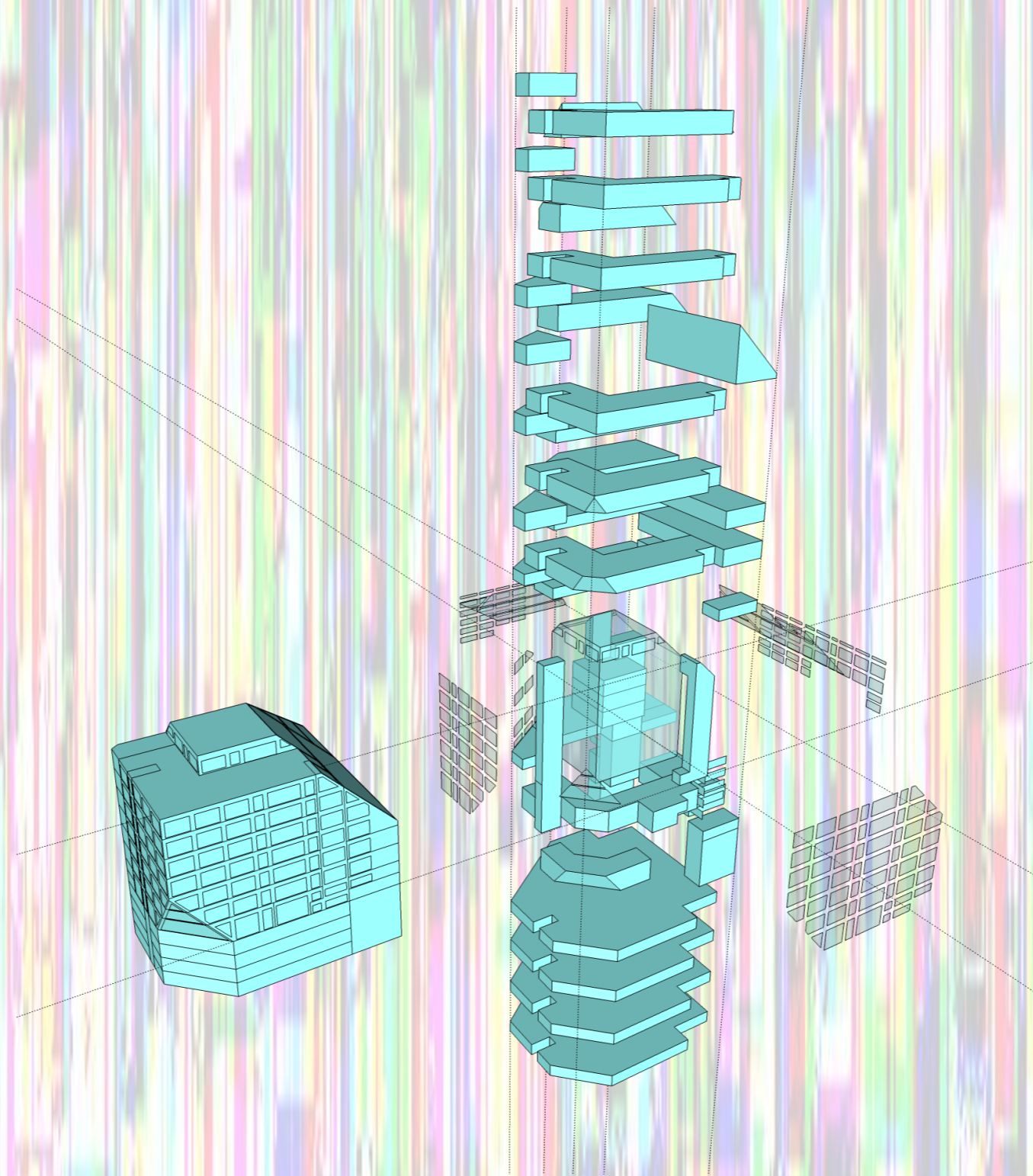
REINFORCEMENT ARRANGEMENT - BEAM SECTIONS SCALE 1:20

NOTE: THE REINFORCEMENT DIMENSIONS ARE IN "mm"

THESIS TOPIC	"A new building of the Regional Library in Varna, Bulgaria."
AUTHOR	Aleksandar Evgeniev Stoychev
SUPERVISOR	prof. Gabriele Masera
CO-SUPERVISOR	prof. Massimo Tadi
ACADEMIC YEAR	2018 - 2017
DRAWING NUMBER	S-11







MASTER THESIS

“A new building of the Regional Library in Varna, Bulgaria.”

AUTHOR: Aleksandar Evgeniev Stoychev

mat N: 872127



POLITECNICO
MILANO 1863