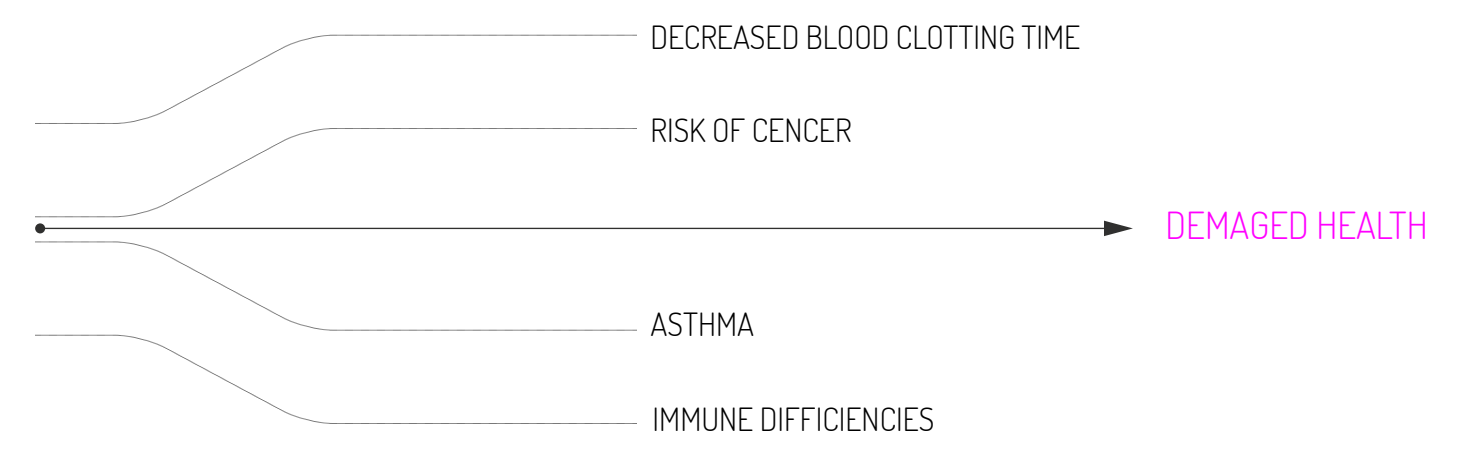
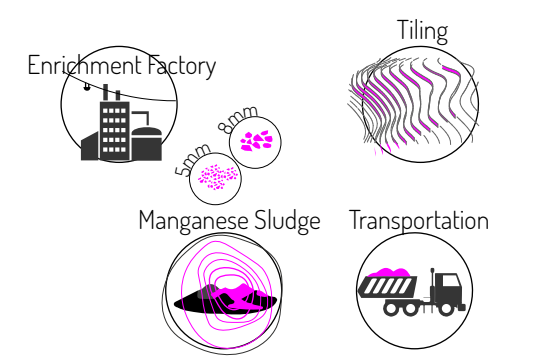
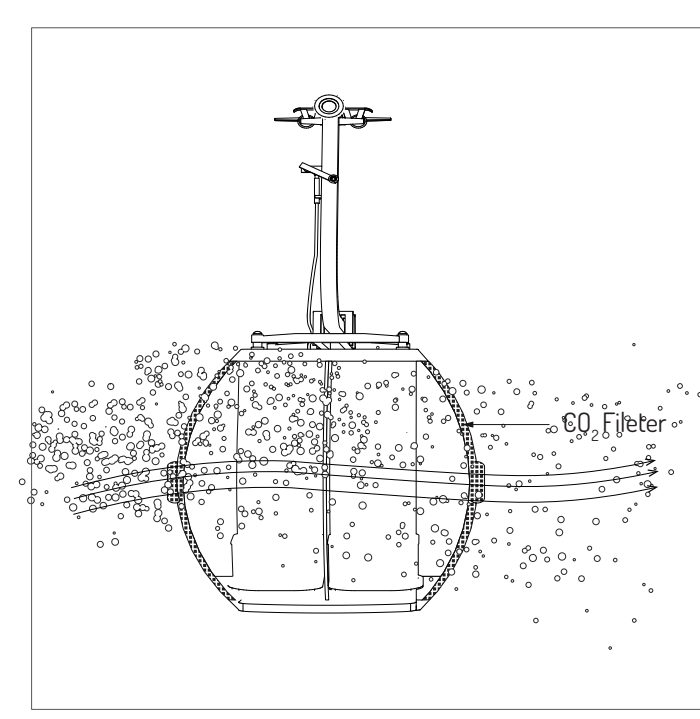


PROBLEM

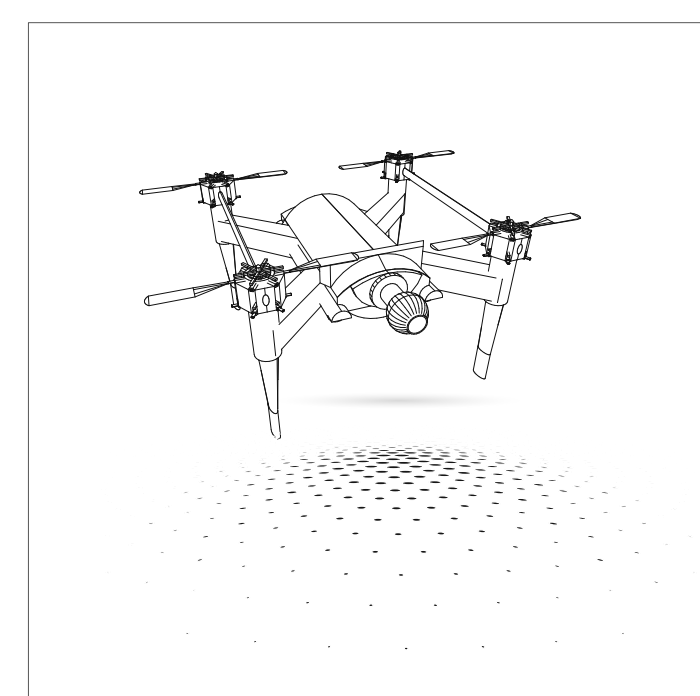
AIR POLLUTION AND EFFECTS



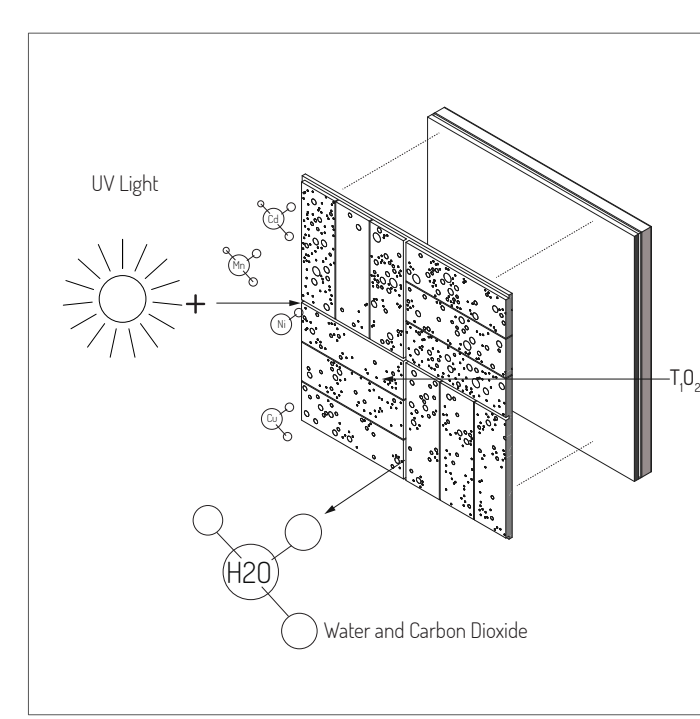
SOLUTION



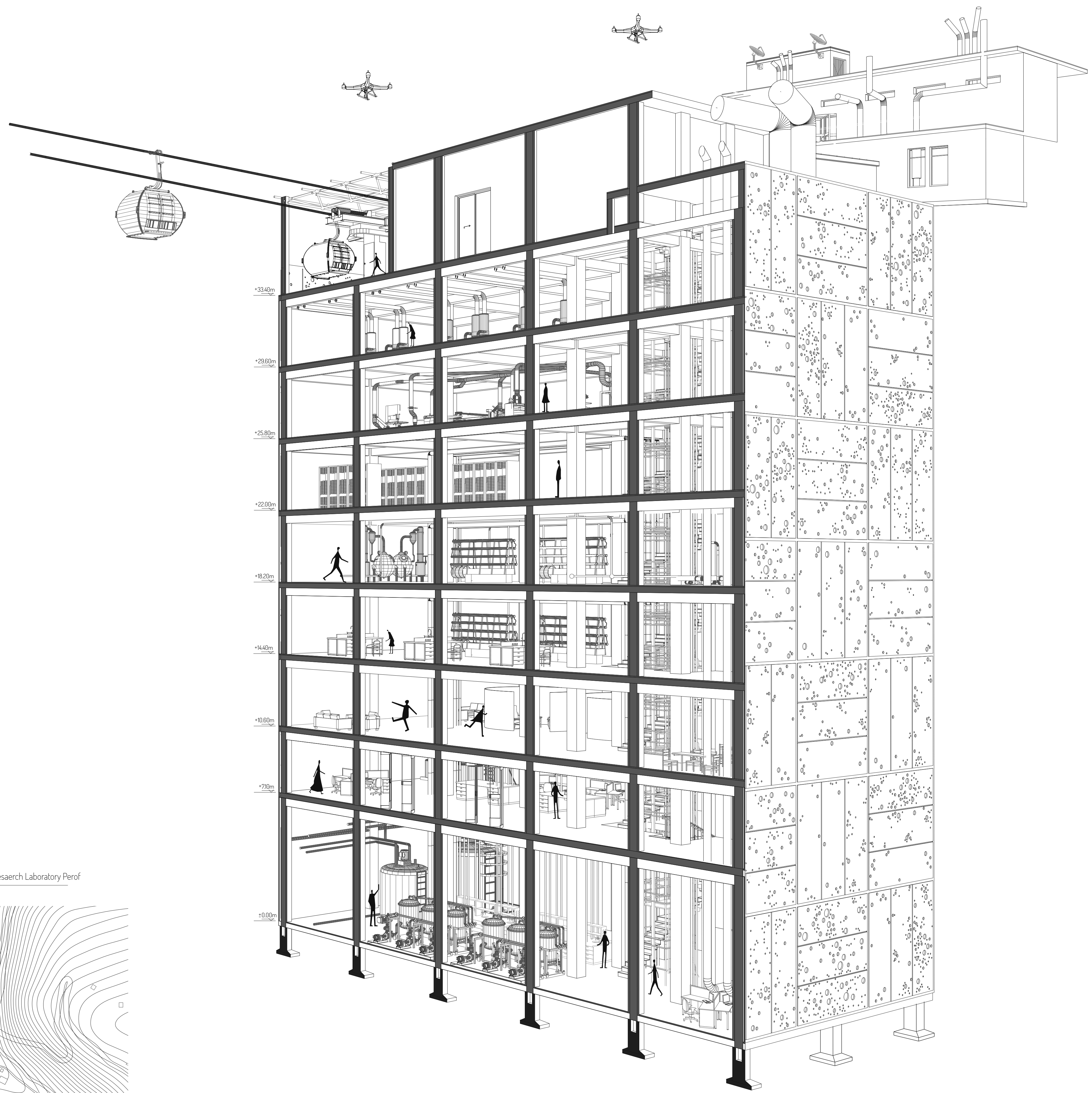
SMOG FREE CABLE CAR
The innovative cable car inhales polluted air, cleans it by carbon dioxide filters, and spread clean air to the environment.



MONITORING AIR POLLUTION USING DRONES
The drones, used in a study at the Industrial, Energy and Environmental Systems Laboratory of the Technical University of Crete, were able to capture air pollutant emissions and to create a 3D visualization tool of a determined area.



TITANIUM DIOXIDE COATING TiO_2
 TiO_2 is that titanium dioxide is a heterogeneous photocatalyst that uses sunlight to absorb and render oxides of nitrogen (NO and NO_2) harmless by converting them to nitrate ions (NO_3), which then can be washed away by rain or soaked into the concrete to form stable compounds.



MASTERPLAN ZOOM - Research Laboratory Perof

Scale 1 : 5 000

