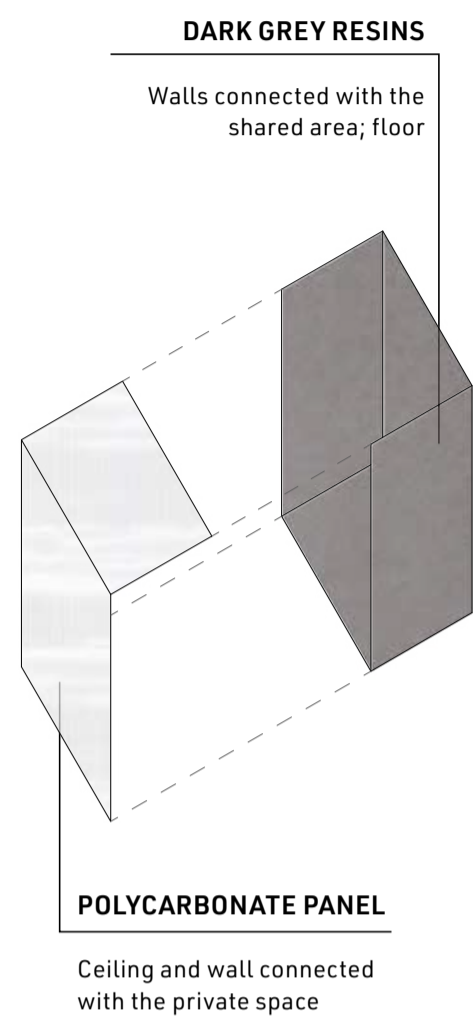


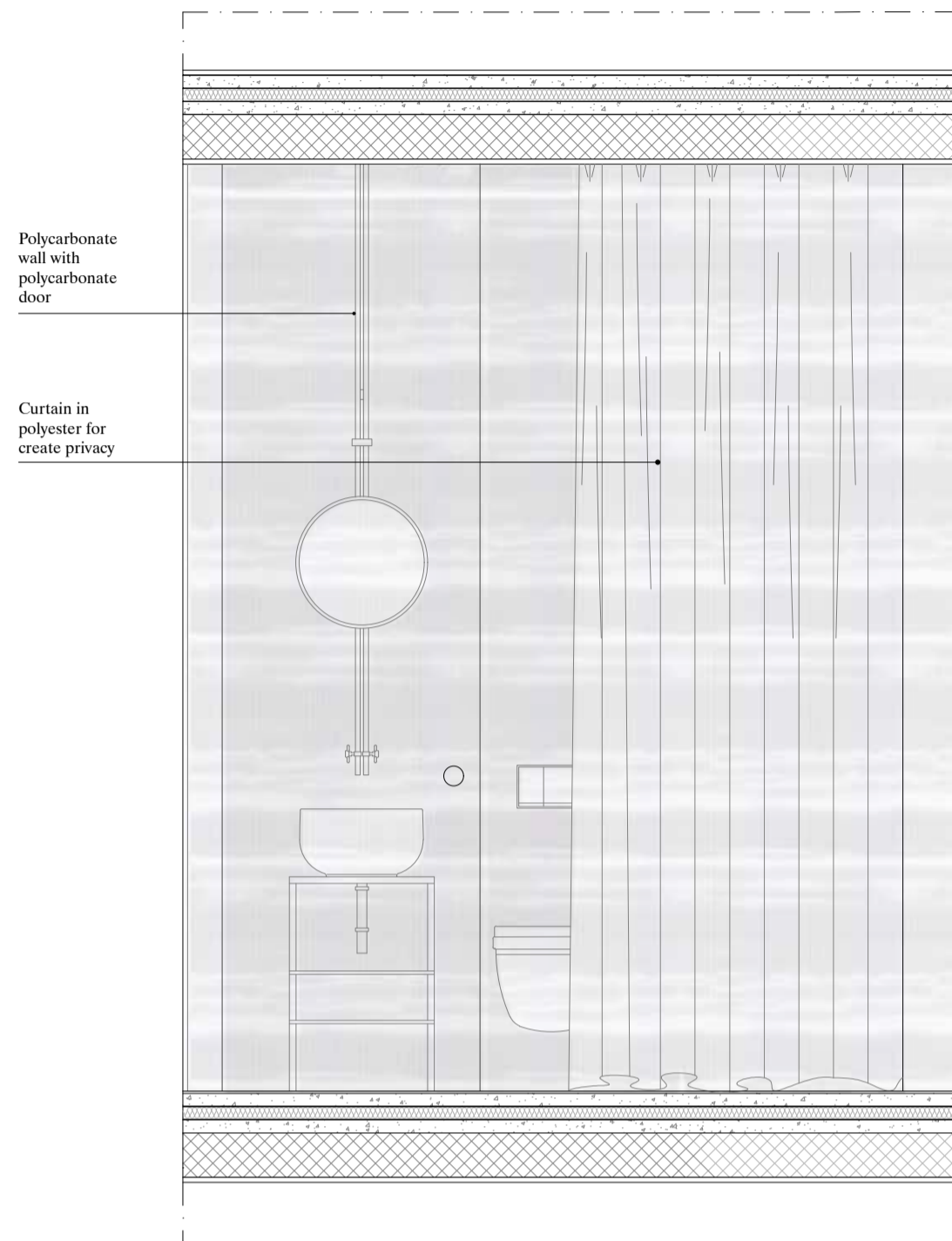
# CO-LIVING: A strategy for the future city housing

## The bathroom block

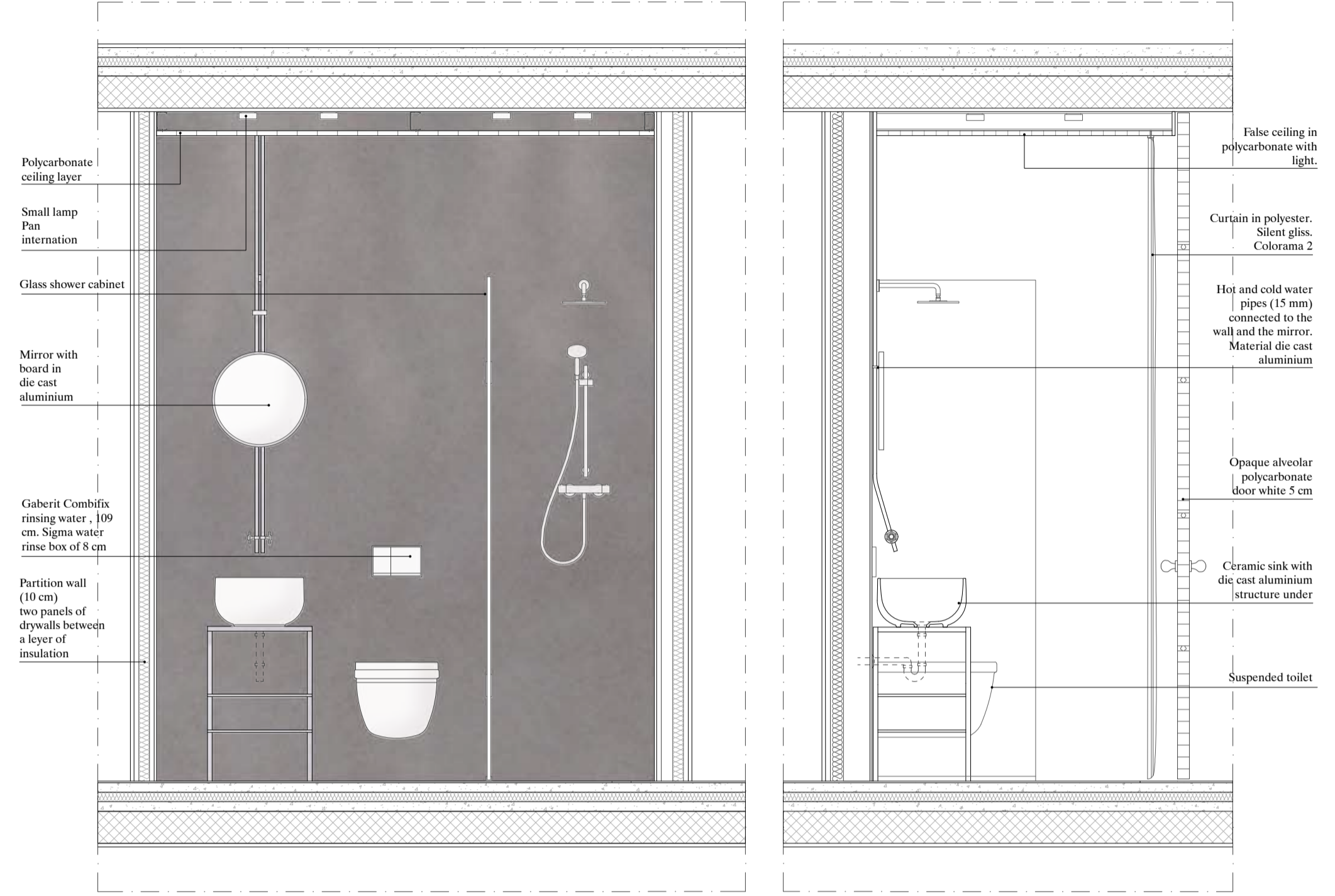
### CONCEPT



### TECHNICAL DRAWING



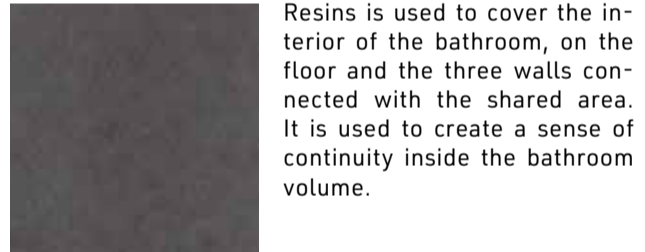
View from the outside  
1:25



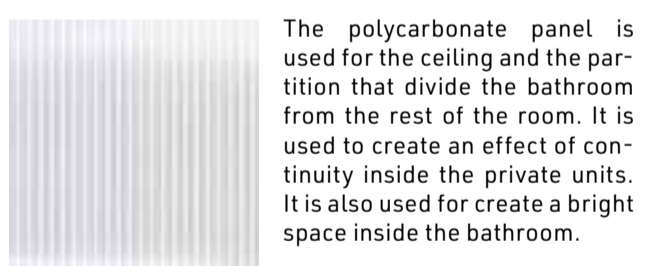
Section AA' and BB'  
1:25

### MATERIALS

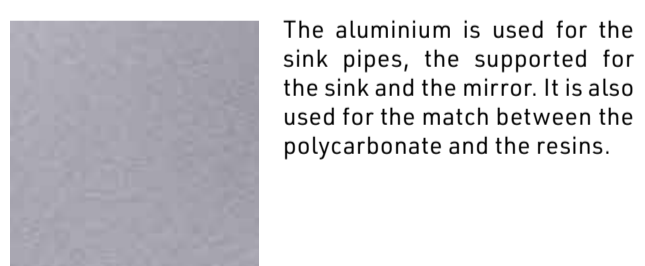
#### DARK GREY RESIN



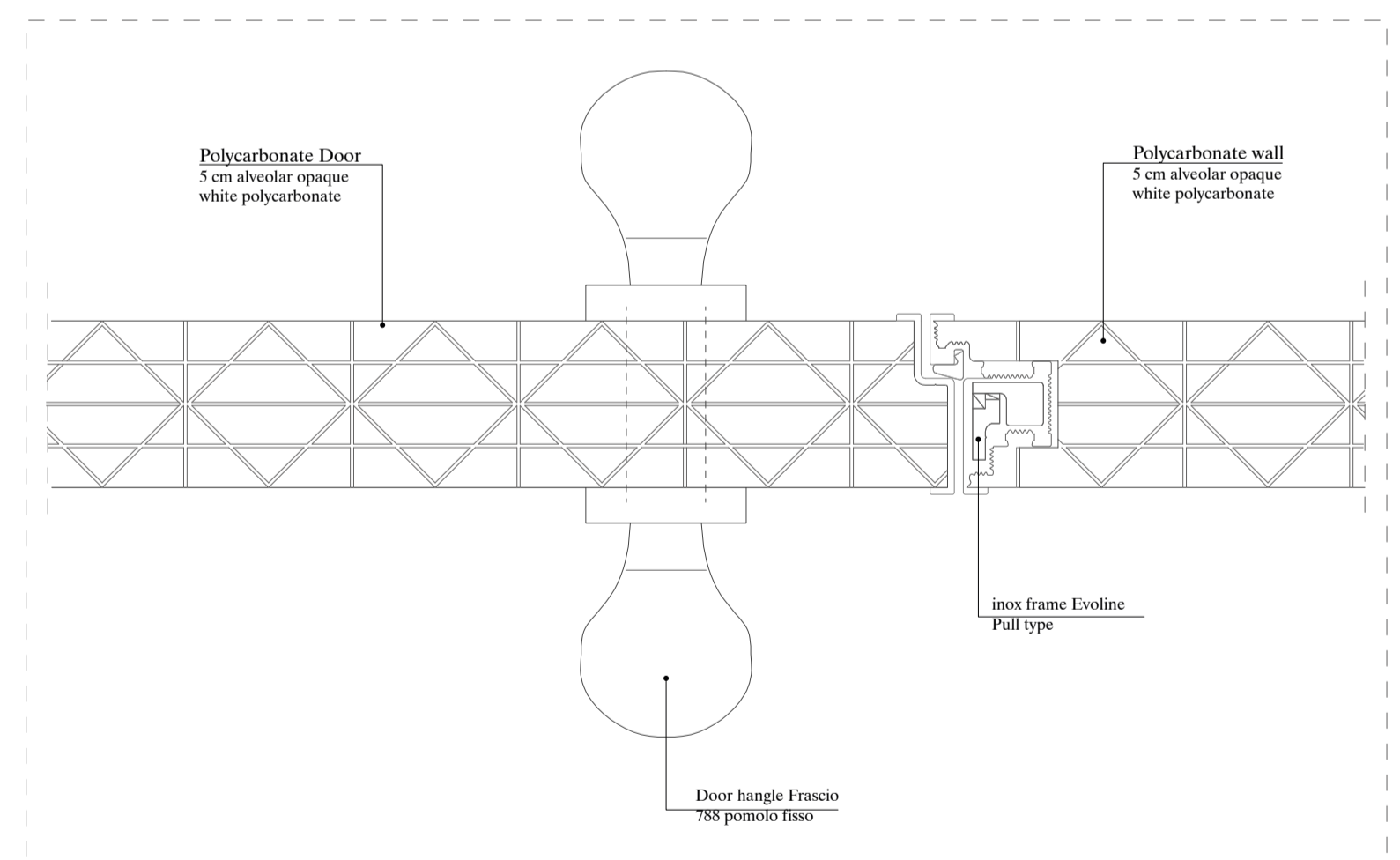
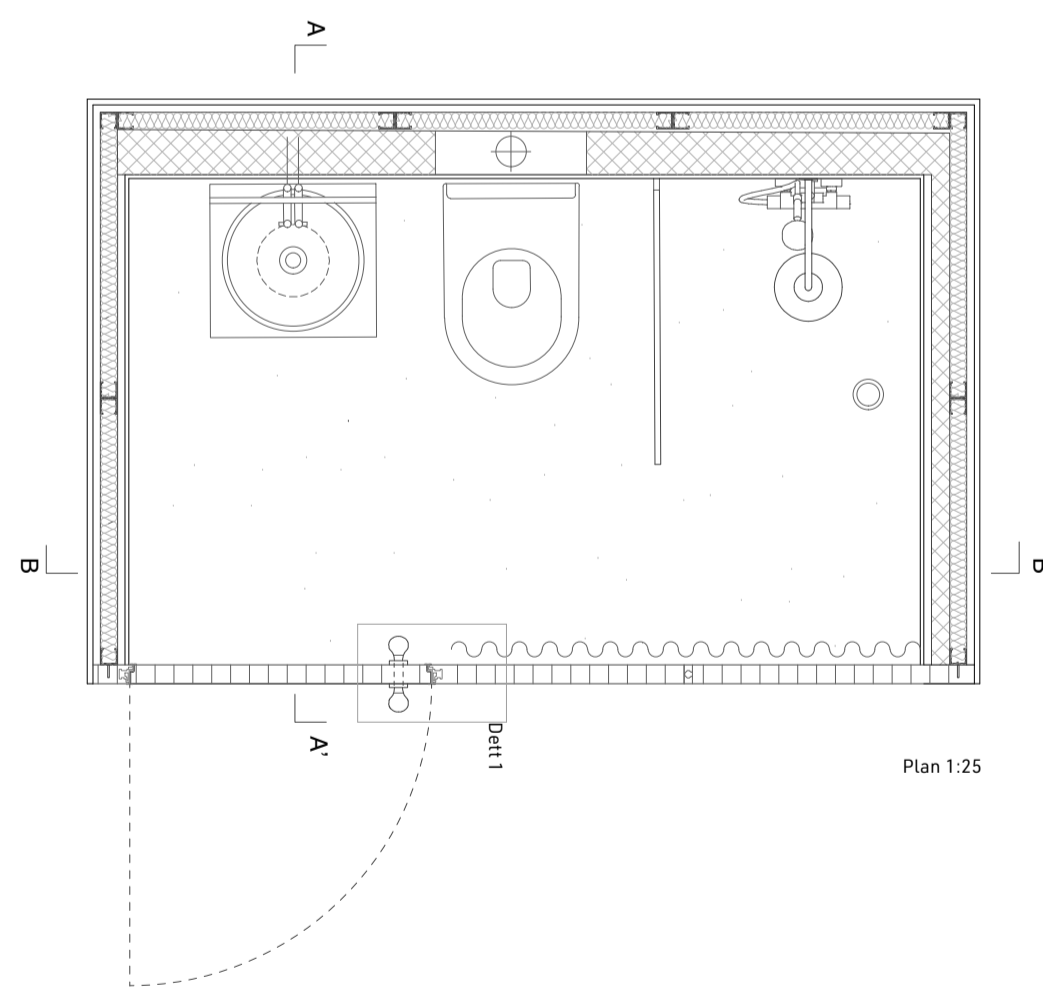
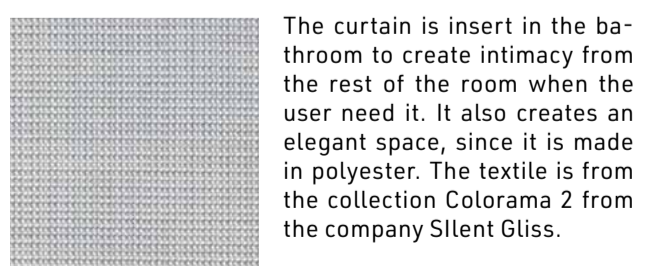
#### POLYCARBONATE



#### DIE CAST ALUMINIUM



#### POLYESTER CURTAIN



Detail 1  
1:25