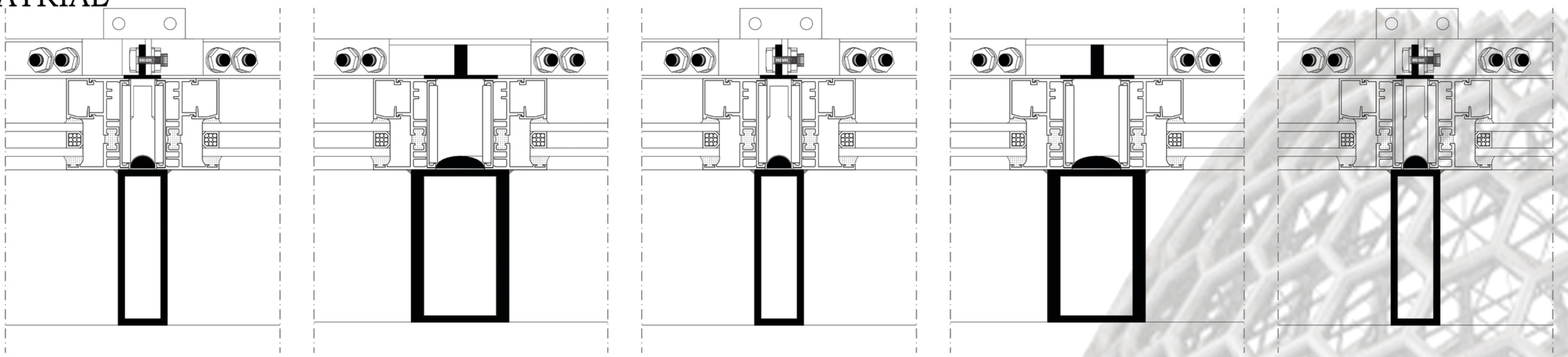
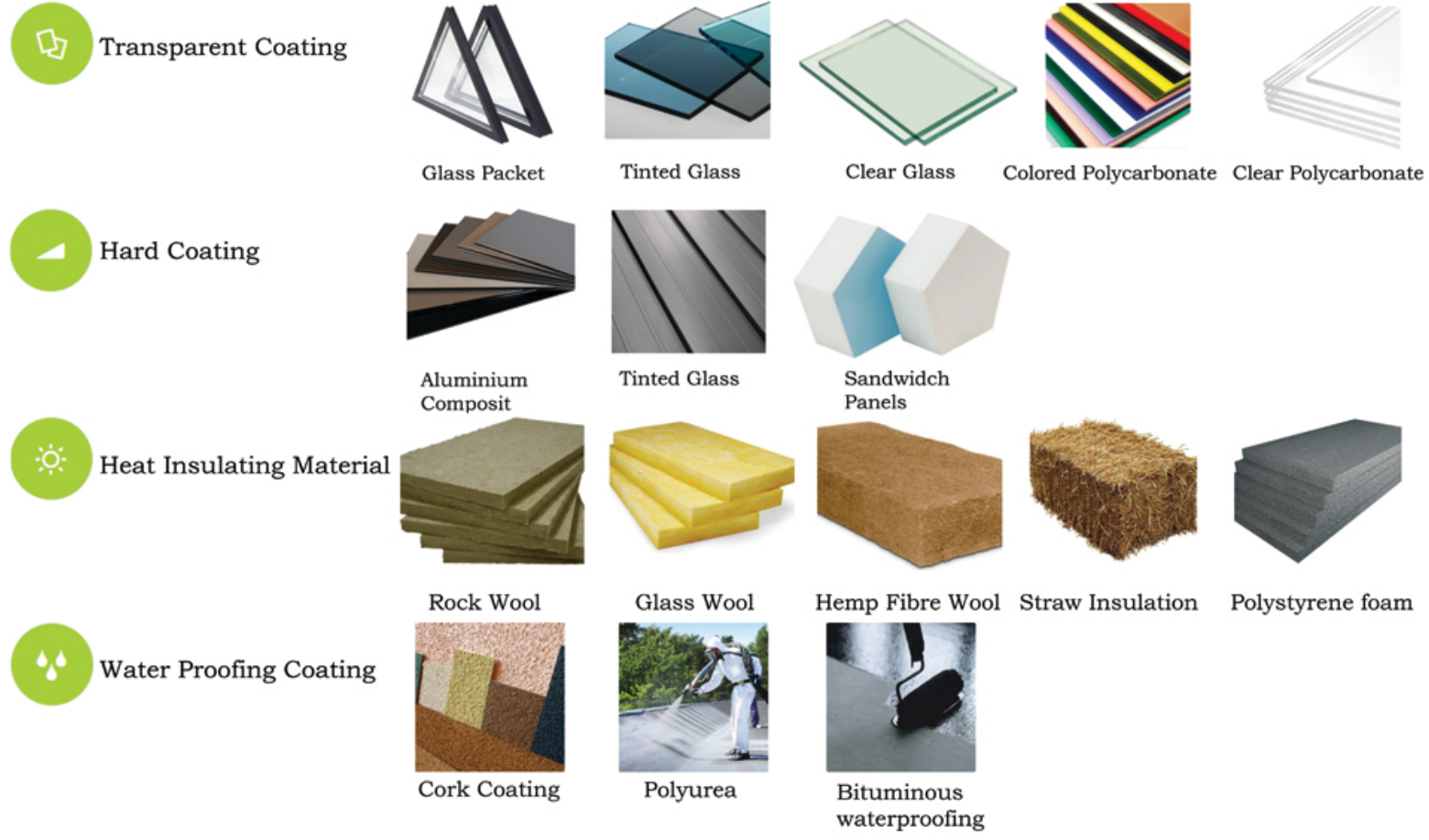


# MATERIAL



Horizontal Section Facade

## Material



## Design and Engineering

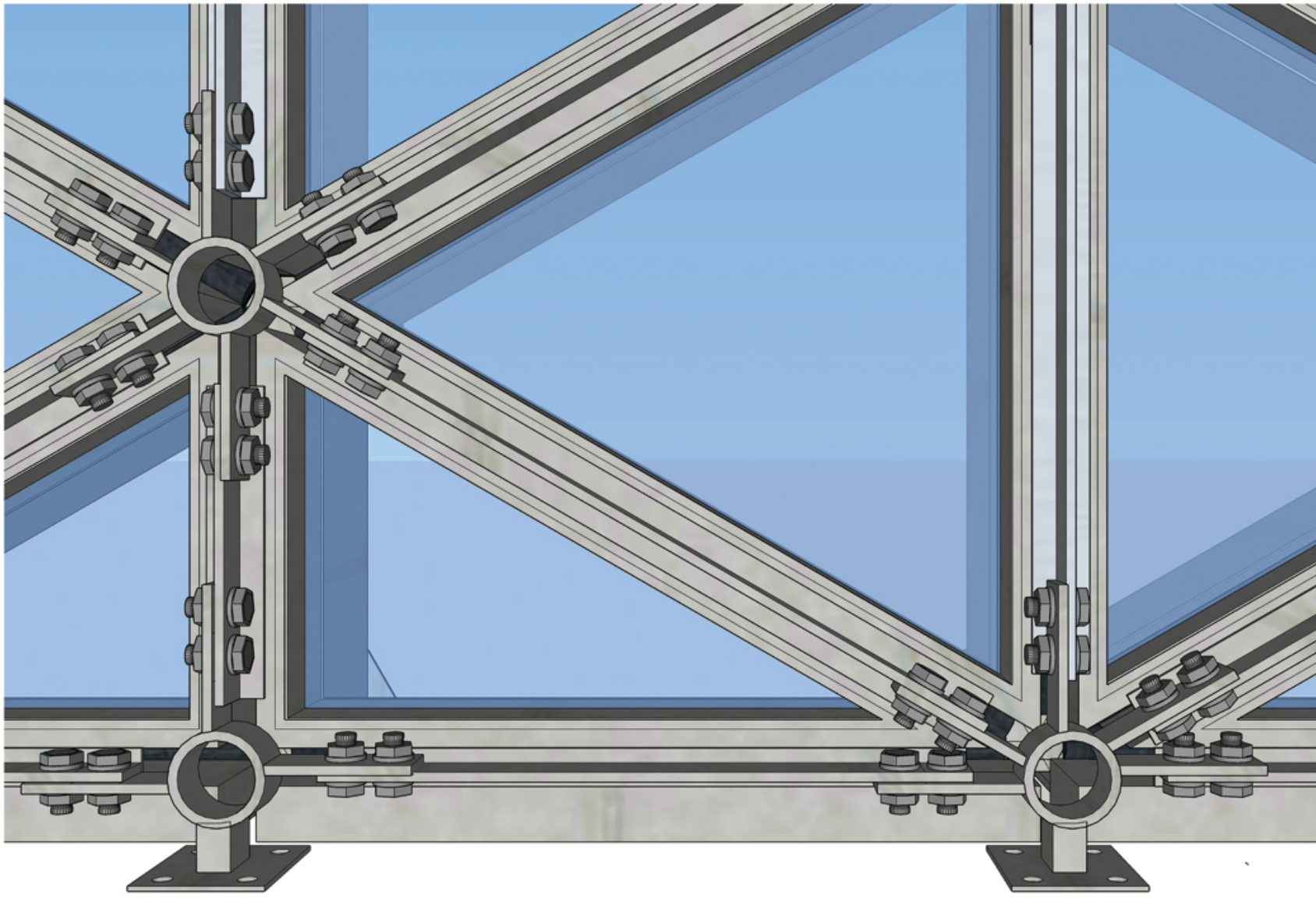
- Architectural Solutions**  
All architectural services are derived from a single source. We engage in investment projects, territory planning, visualisations and project proposals.
- Facade and Roof Covering**  
Materials and systems for free form facades and roofs - glass, composite and smart materials, as well as retractable roof systems.
- Structural Solutions**  
Single-layered, multi-layered and spatial construction systems. Time-tested and unique solutions for free-form buildings.

## Bearing Structure

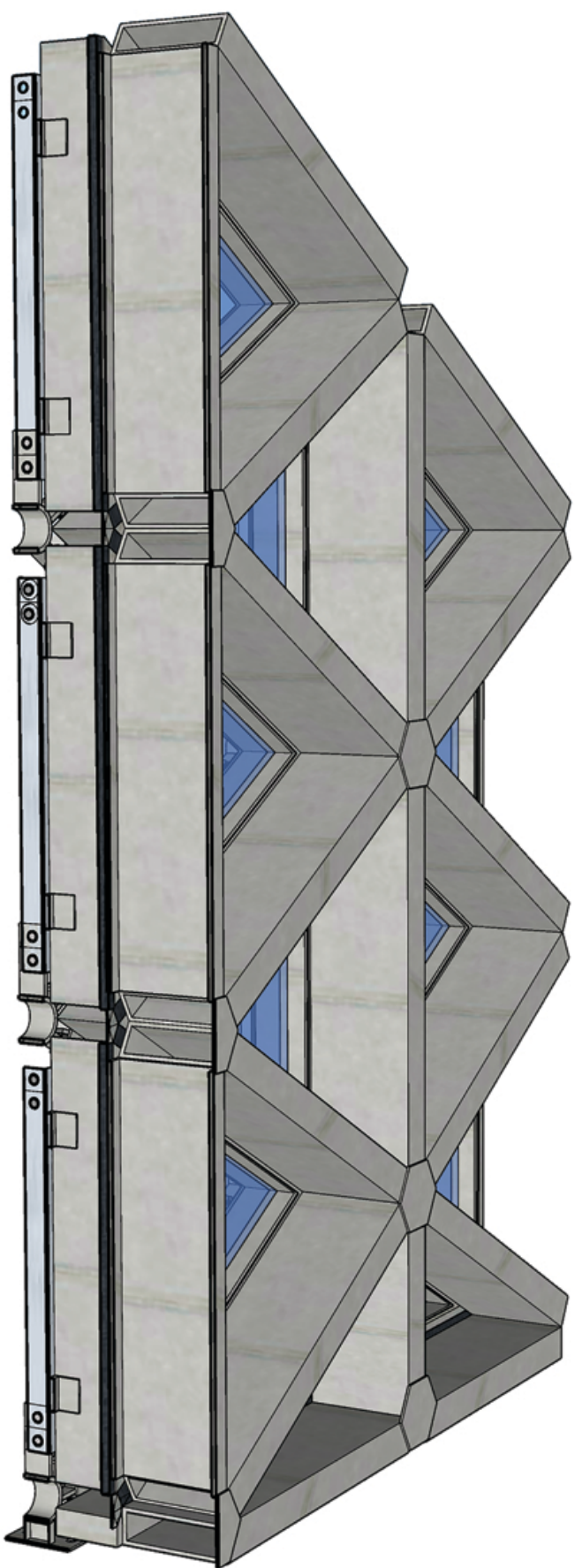
- Structure Design**  
Design of spatial and single-layer bearing structures and assemblies, and load calculation.
- Structure Production**  
Work project preparation and structural element production.
- Structure Assembly**  
On-site assembling of structural elements, and installation maintenance and organisation.

## Facade and Roof Covering

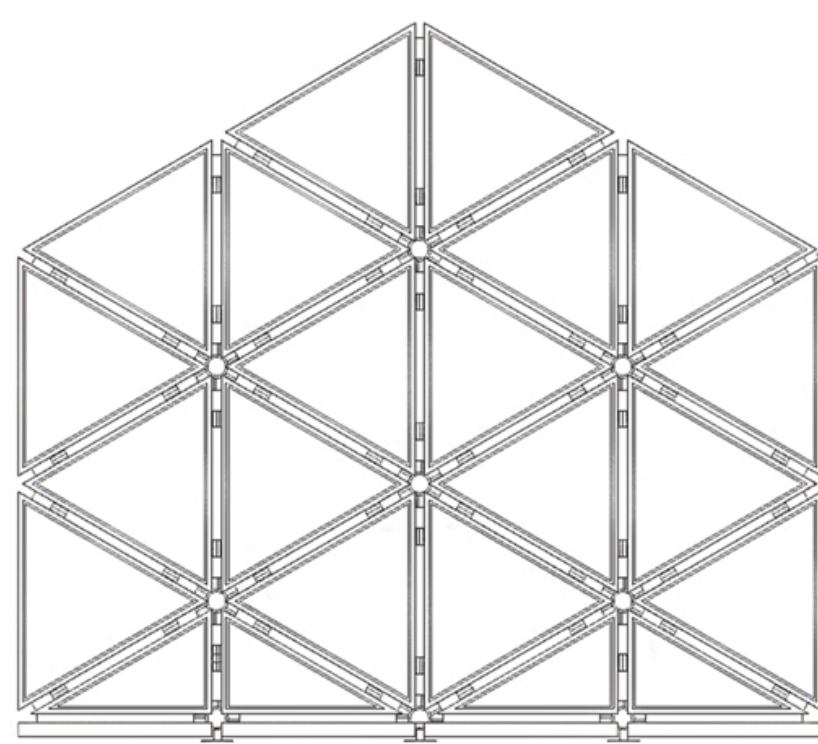
- Transparent Covering**  
Modified glass and special facade polycarbonate coverings for various climate zones.
- Inflatable Covering**  
Innovative inflatable facade and roof coverings, which reduce structural loads.
- Stretched Covering**  
Easily formed decorative and protective soft coverings.



Detail Connections



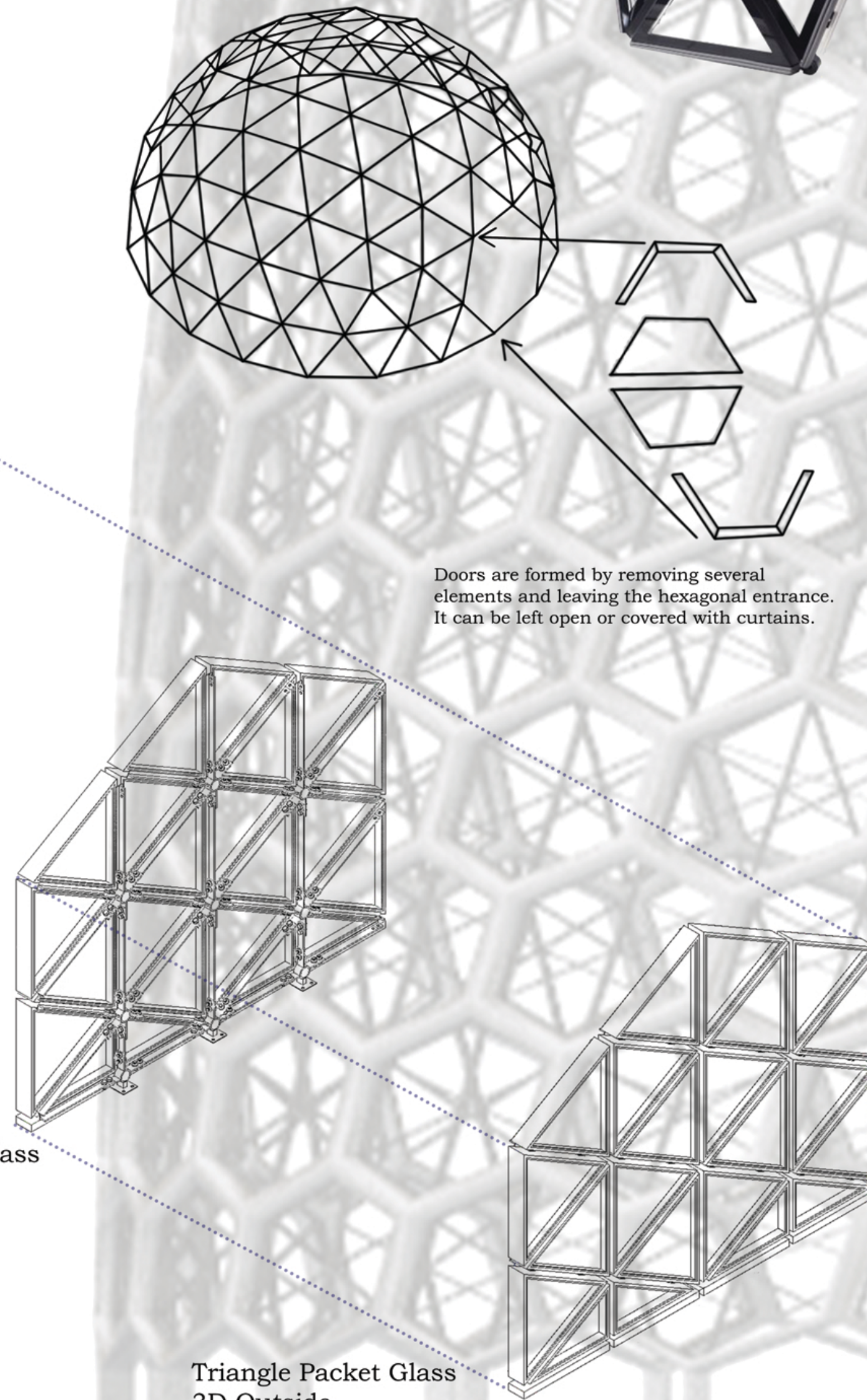
Vertical 3D Section



Triangle Packet Glass 2D



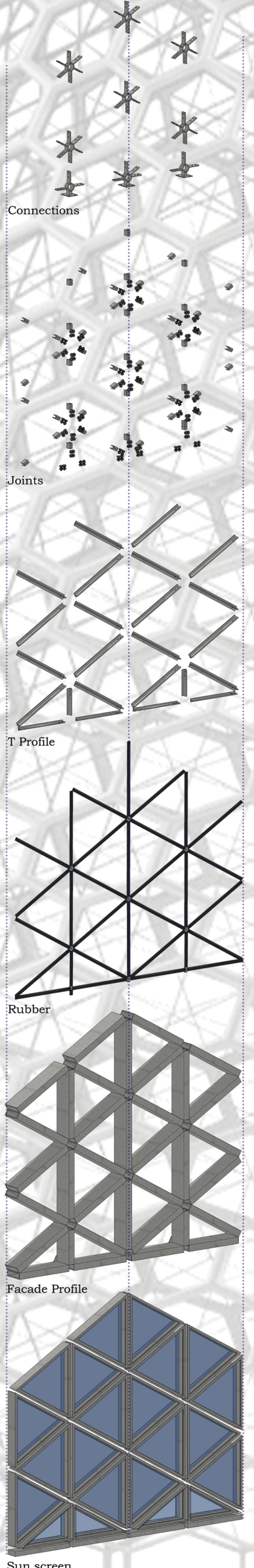
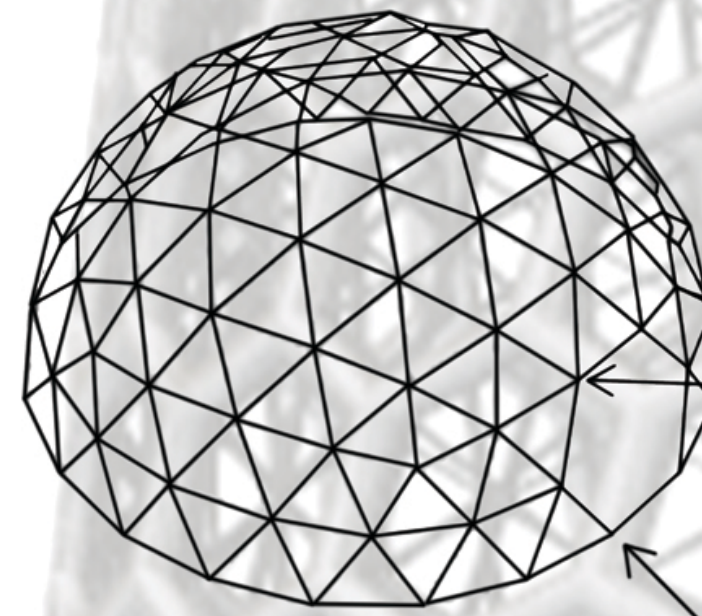
Viking Dome system



Triangle Packet Glass 3D Inside

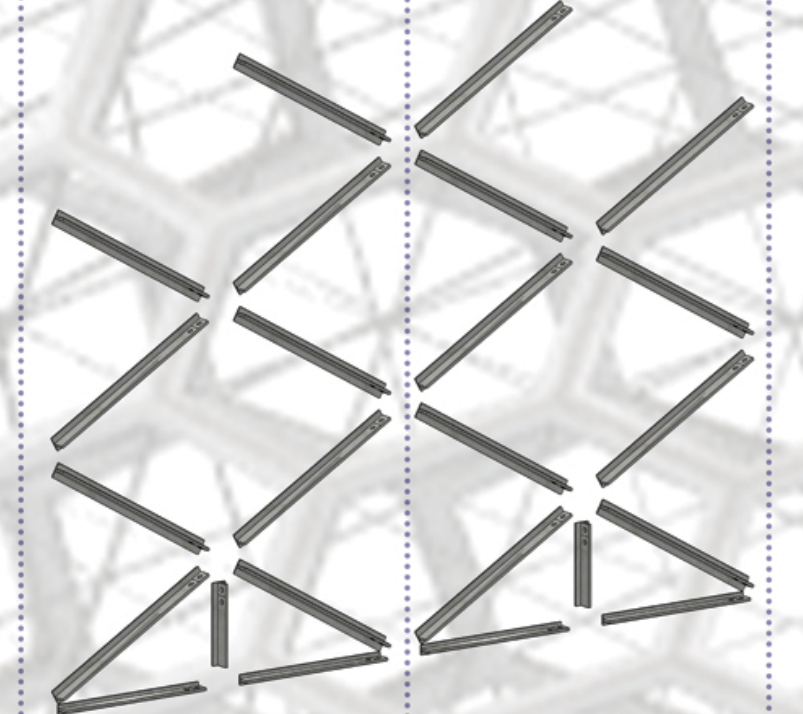
Triangle Packet Glass 3D Outside

Doors are formed by removing several elements and leaving the hexagonal entrance. It can be left open or covered with curtains.

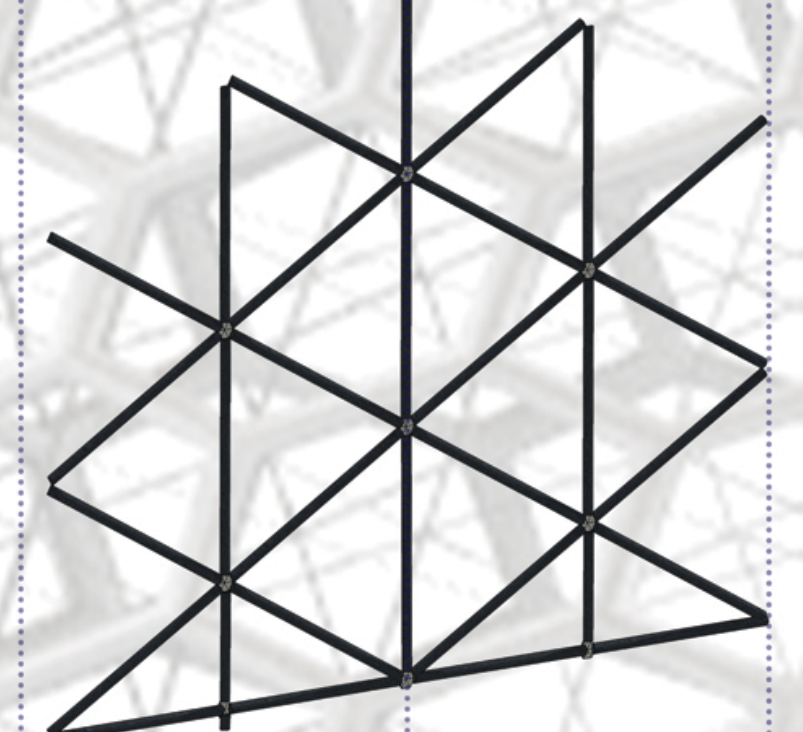


Connections

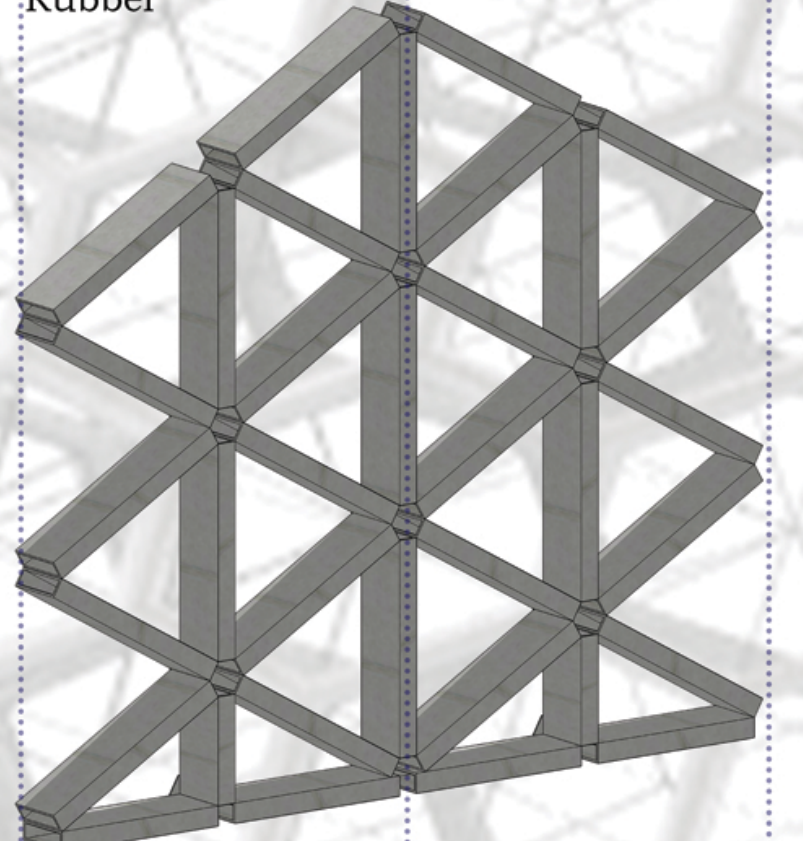
Joints



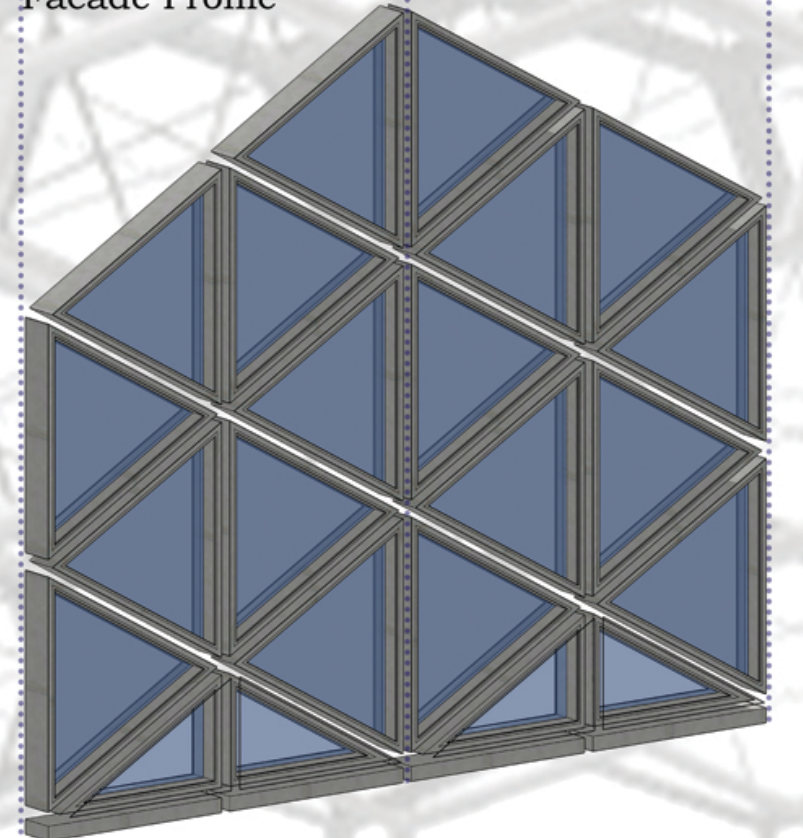
T Profile



Rubber



Facade Profile



Sun screen

